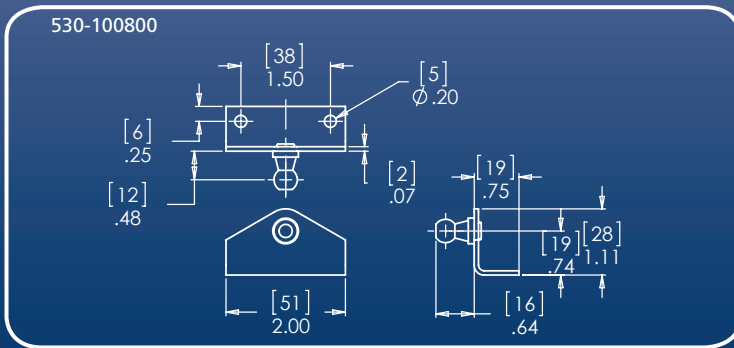


Gas Spring Mounting Brackets

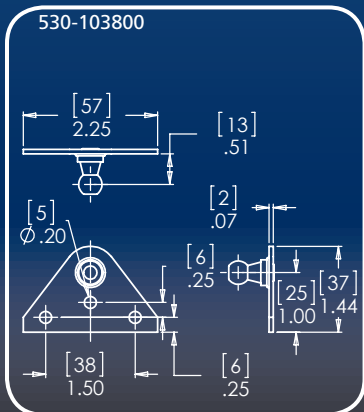
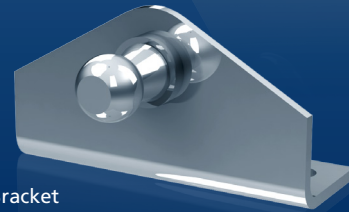
530-100800, 530-102800, 530-103800



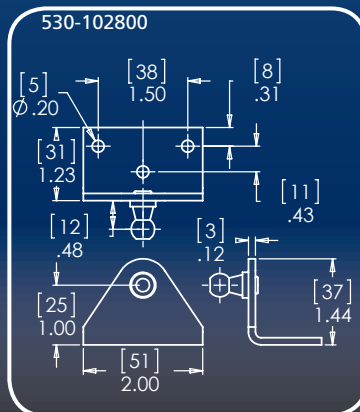
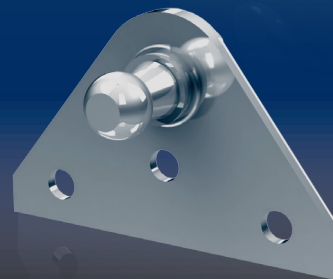
530-102800
3-Hole Right Angle Mounting Bracket



530-100800
2-Hole Right Angle Mounting Bracket



530-103800
3-Hole Flat Mounting Bracket



Benefits & Features:

- Aids in installation of gas springs on an angle or flat against your application.
- Economically priced.
- Made of corrosion resistant zinc plated steel.
- Designed to fit standard 10mm ball stud strut ends.

Learn More:

To learn more about TCH please feel free to contact us Toll-Free at 1-800-465-6281 to speak to a qualified customer service representative.

Please visit our website for a full listing of all TCH products at: www.tchweb.com

BUFFALO

1370 William Street, Suite 4
Buffalo NY 14206 U.S.A.
716.853.1986 Fax

CALGARY

1135-45th Avenue NE
Calgary AB, T2E 2P2 Canada
403.274.5927 Fax

DALLAS

10552 King William Drive
Dallas, TX 75220 U.S.A.
972.556.9552 Fax

MONTRÉAL

16757 Boul. Hymus
Kirkland QC, H9H 3L4 Canada
514.697.5140 Fax

TORONTO

40 Emblem Court
Toronto, ON M1S 1B1 Canada
416.299.3255 Fax