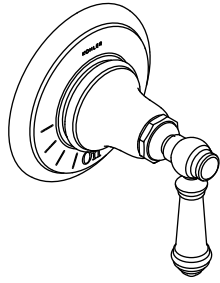


Installation and Care Guide

Volume Control Trim

K-T72771

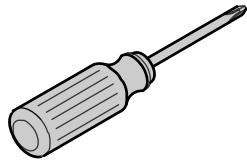


M product numbers are for Mexico (i.e. K-12345**M**)
Los números de productos seguidos de
M corresponden a México (Ej.
K-12345**M**)
Français, page "Français-1"
Español, página "Español-1"

THE BOLD LOOK
OF **KOHLER**®

1204801-2-A

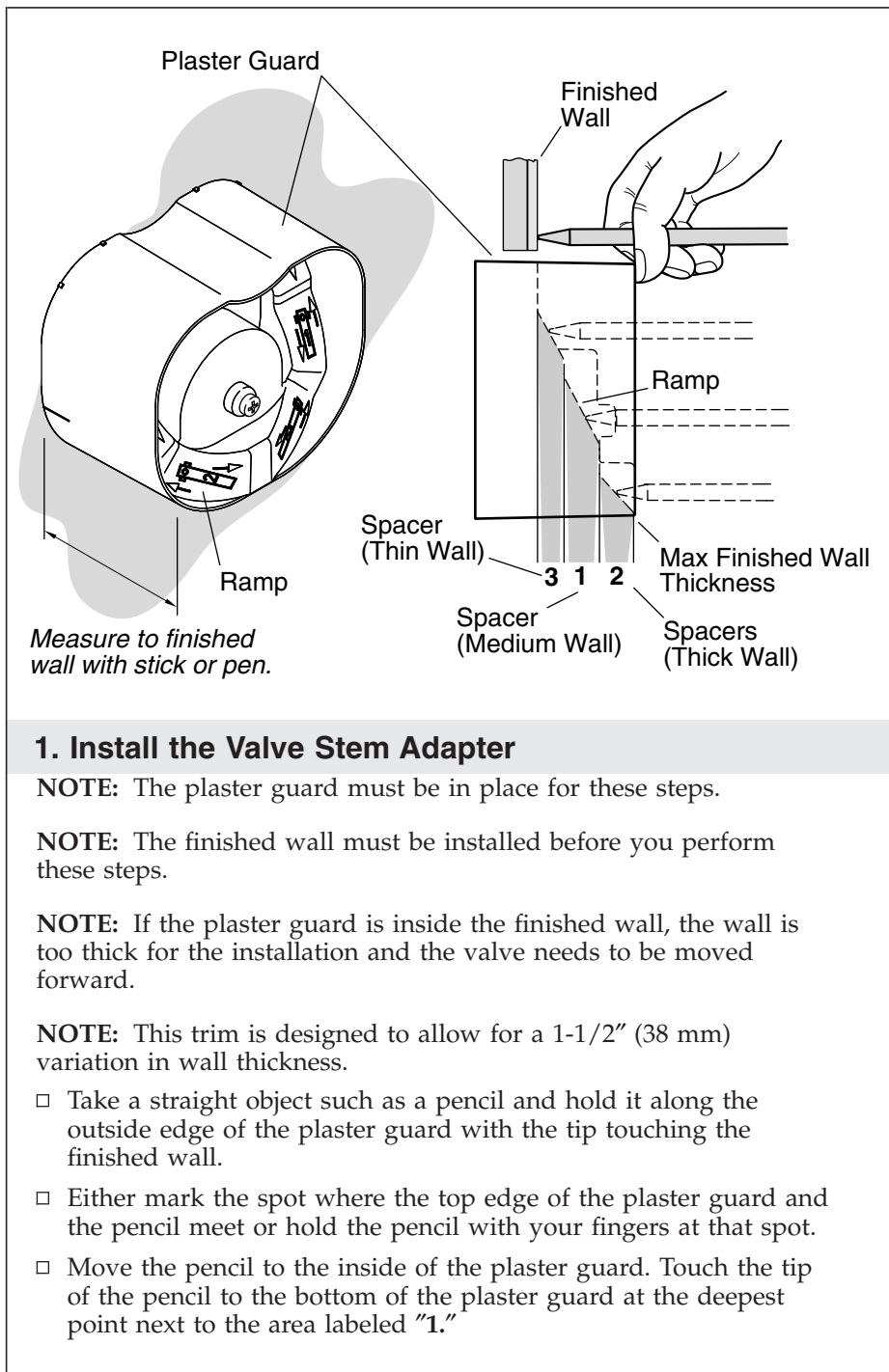
Tools and Materials



Before You Begin

- Observe all local plumbing and building codes.

NOTE: For service parts information, visit www.kohler.com/serviceparts.



1. Install the Valve Stem Adapter

NOTE: The plaster guard must be in place for these steps.

NOTE: The finished wall must be installed before you perform these steps.

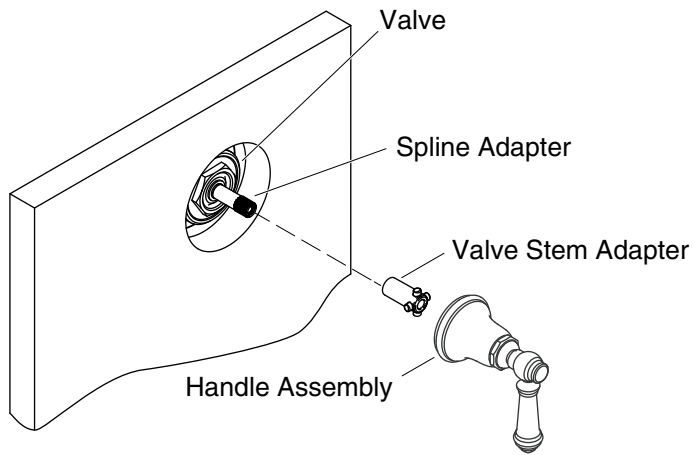
NOTE: If the plaster guard is inside the finished wall, the wall is too thick for the installation and the valve needs to be moved forward.

NOTE: This trim is designed to allow for a 1-1/2" (38 mm) variation in wall thickness.

- Take a straight object such as a pencil and hold it along the outside edge of the plaster guard with the tip touching the finished wall.
- Either mark the spot where the top edge of the plaster guard and the pencil meet or hold the pencil with your fingers at that spot.
- Move the pencil to the inside of the plaster guard. Touch the tip of the pencil to the bottom of the plaster guard at the deepest point next to the area labeled "1."

Install the Valve Stem Adapter (cont.)

- **If the mark or your finger is below the edge of the plaster guard, perform the remaining steps:**
- Slide the pencil along the steps until the mark or your fingers are even with the top edge of the plaster guard.
- Note which area of the plaster guard the pencil is touching.
- **If the pencil is touching the step labeled "1,"** use the 1-3/8" (35 mm) (medium wall) valve stem adapter *and* the 1-3/8" (35 mm) screw.
- **If the pencil is touching the step labeled "2,"** use the 1-7/8" (35 mm) (thick wall) valve stem adapter *and* the 1-3/4" (44 mm) screw.
- **If the pencil is touching the step labeled "3,"** use the 7/8" (22 mm) (thin wall) valve stem adapter *and* the 3/4" (19 mm) screw.



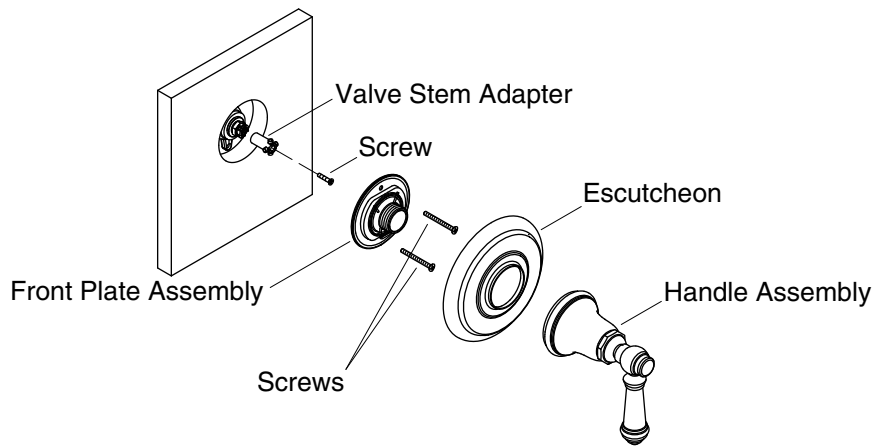
2. Adjust the Handle Assembly

- Ensure the valve stem adapter is lightly placed over the spline adapter.
- Place the handle assembly over the valve stem adapter.
- Turn the handle assembly counterclockwise until the valve is fully closed. The handle will be in the vertical, 6 o'clock, position.
- Remove the handle assembly and set aside.

To adjust for handle alignment:

NOTE: The spline adapter allows fine adjustment of the handle alignment.

- Remove the valve stem adapter.
- Reposition the spline adapter.
- Reinstall the handle assembly and the valve stem adapter.
- Check the alignment. Repeat this procedure until the handle alignment is satisfactory.



3. Install the Trim

- Firmly press the valve stem adapter onto the valve stem.
- Secure the valve stem adapter to the valve stem with the correct length screw, as selected in the "Install the Valve Stem Adapter" section of this guide.
- Align the holes on the front plate assembly and the valve.

NOTE: Be sure to select the correct length screw for your application.

- Attach the two screws through the front plate assembly and into the valve. Do not overtighten.
- Visually inspect the front plate assembly to ensure that the foam seal is completely covering the wall opening. If not, stop the installation and repair the wall opening.
- Place the escutcheon against the wall. The drain holes in the escutcheon should be positioned downward.
- Thread the handle assembly onto the hub of the front plate assembly to secure the escutcheon in place. The handle will be in the closed, vertical 6 o'clock position.

NOTE: If the handle does not engage the valve or the escutcheon does not tighten to the wall, replace the valve stem adapter with an adapter of appropriate length.