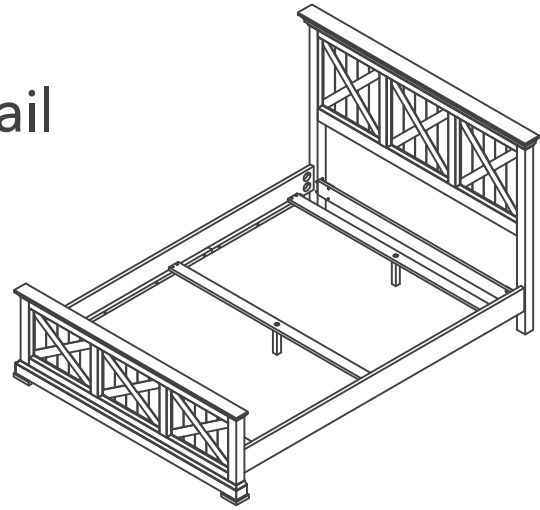


# Queen Bed Rail



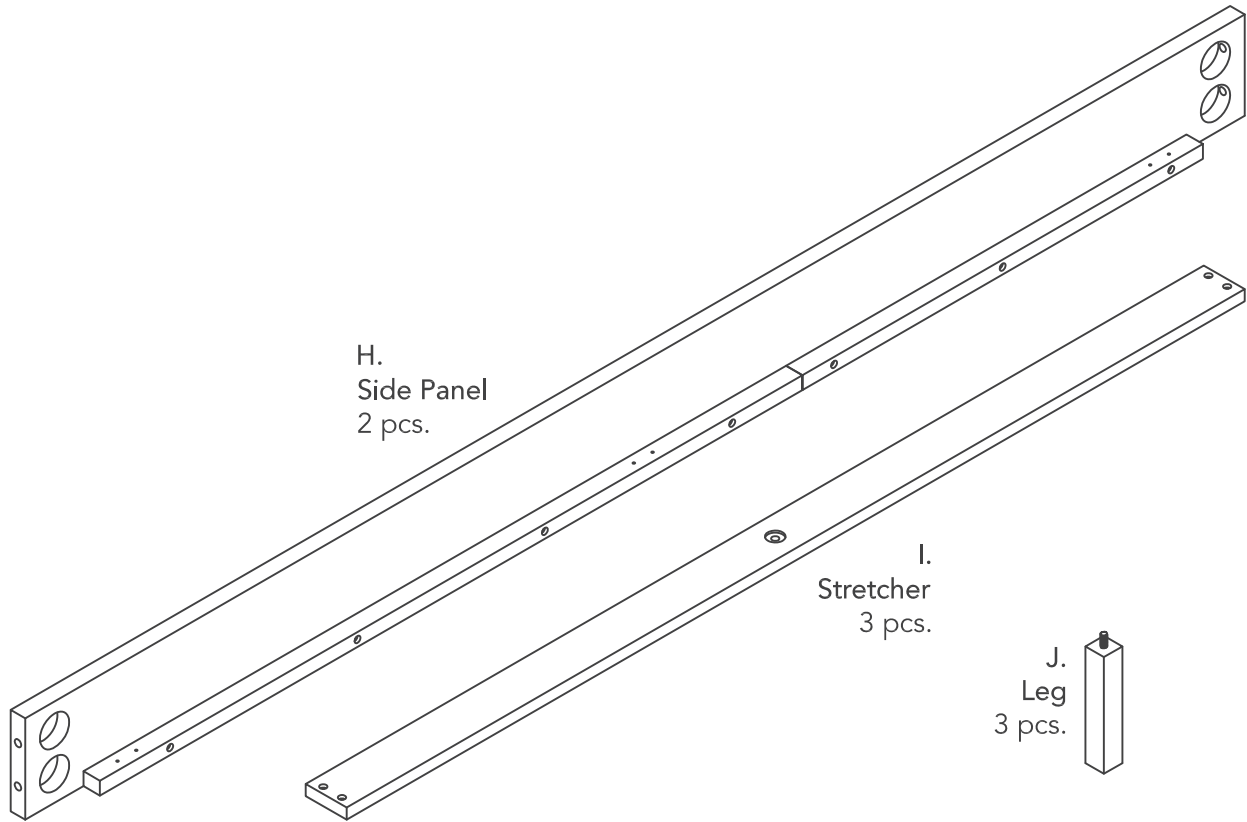
## IMPORTANT

Carefully remove all the parts from the carton and place them individually on a soft cloth to prevent scratches or other damage.

Carefully and strictly follow these assembly instructions to ensure a completed product as designed.

Do not use power tools above 8 volts to assemble.

## Part List

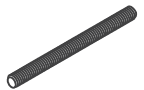


H.  
Side Panel  
2 pcs.

I.  
Stretcher  
3 pcs.

J.  
Leg  
3 pcs.

## Hardware List



5/16" x 3 5/32"  
Bolt  
8 pcs. (+1 extra)



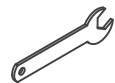
Square Washer  
8 pcs. (+1 extra)



Nut  
8 pcs. (+1 extra)



M4x25  
Wood Screw  
12 pcs. (+1 extra)



Wrench  
1 pc.

Cartons 20 05525 0501 and 0502 are also needed for assembly.

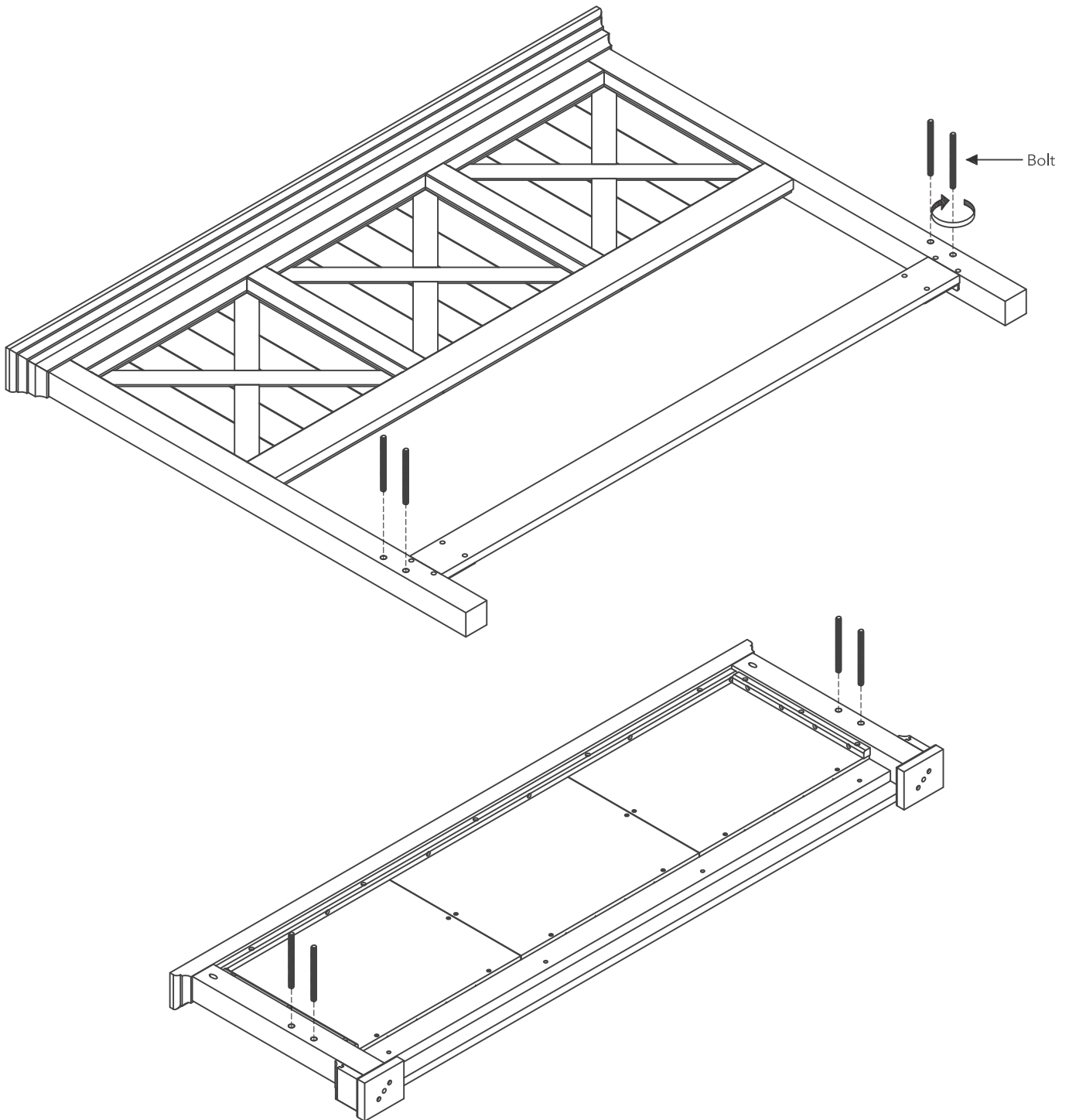
Tool(s) required for assembly: Phillips screwdriver, Level

Home Styles Customer Service: [www.homestyles-furniture.com](http://www.homestyles-furniture.com),  
[servicedesk@homestyles-furniture.com](mailto:servicedesk@homestyles-furniture.com), 888-680-7460, 877-831-0319

## Assembly Instructions 2/3

### IMPORTANT

- Use a soft cloth between these parts and the floor.
- Do not use power tools above 8 volts to assemble.
- Do not tighten all the bolts until each part is properly assembled.
- The unit must be level to work properly. Use the included adjustable levelers to level.
- Keep Wrench as the Nuts may need to be tightened in the future.
- Do not slide bed on floor. To move assembled bed requires two people. Remove any bedding, then lift and carry bed.



### STEP 1

Insert Bolts in pre-drilled holes in Headboard and Footboard, then tighten.

## Assembly Instructions 3/3

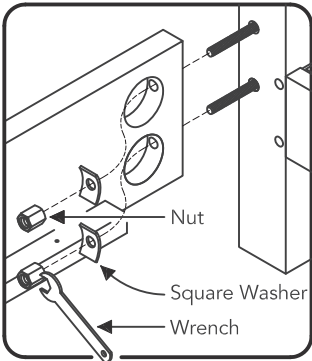
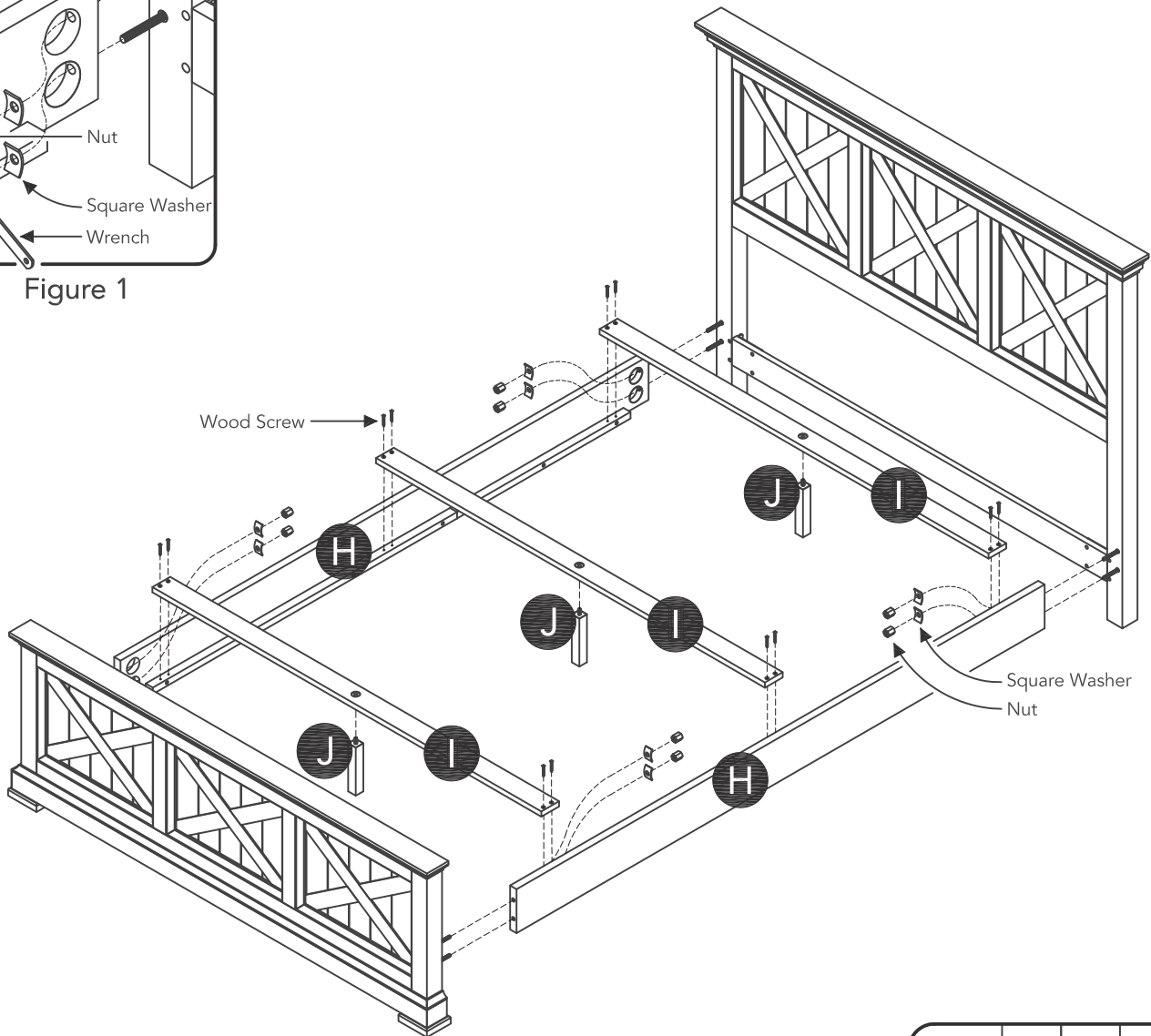


Figure 1



### STEP 2

Attach Side Panels (H) to Headboard and Footboard with Square Washers and Nuts.

Tighten Nuts with Wrench. (See Figure 1)

Insert Legs (J) into pre-drilled holes of Stretchers (I), then tighten.

Attach Stretchers (I) to unit with Wood Screws into pre-drilled holes.

Level unit by adjusting the adjustable levelers on bottom of legs. (See Figure 2)

Note: Unit must be level to work properly.

Note: Do not slide bed on floor. To move assembled bed requires two people. Remove any bedding, then lift and carry bed.

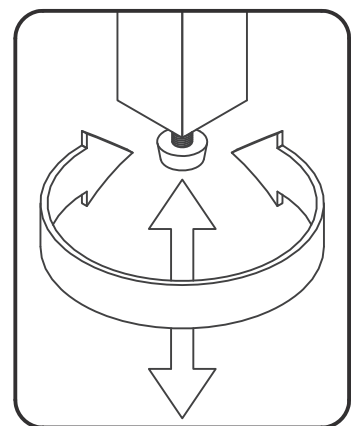


Figure 2

# CARE INSTRUCTIONS

## NEVER

allow liquids to remain on furniture.  
Absorption causes parts to warp  
and split and finishes to delaminate.

## NEVER

use glass cleaners on  
finished furniture. Ammonia  
chemically attacks the finish.



Do not use power tools  
above 8 volts to assemble.

**PREVENT  
CRACKING**



Do not place  
in direct sunlight.

**PREVENT  
FADING**



Do not write  
directly on surface.

**PREVENT  
MARKING**



Do not place hot  
objects on surface.

**PREVENT  
FINISH DAMAGE**



Do not use rubber  
based placemats.

**PREVENT  
DISCOLORING**



Do not use commercial  
waxes and polishes.

**PREVENT  
YELLOWING**

## CLEAN

with a soft cloth moistened  
in lukewarm soap and water.  
Buff with a dry clean cloth.



Home Styles will provide replacements free of charge for missing or damaged hardware or parts within 30 days of purchase. Digital images of the defective parts may be required. If the product was not purchased from an authorized retail affiliate, Home Styles is under no obligation to provide replacement parts. Parts are not available for fully assembled items nor are parts available for sale. Replacements for missing or damaged hardware or parts may be requested at:

[www.homestyles-furniture.com/customer-service/replacement-parts](http://www.homestyles-furniture.com/customer-service/replacement-parts)

Home Styles Customer Service: [www.homestyles-furniture.com](http://www.homestyles-furniture.com),  
[servicedesk@homestyles-furniture.com](mailto:servicedesk@homestyles-furniture.com), 888-680-7460, 877-831-0319