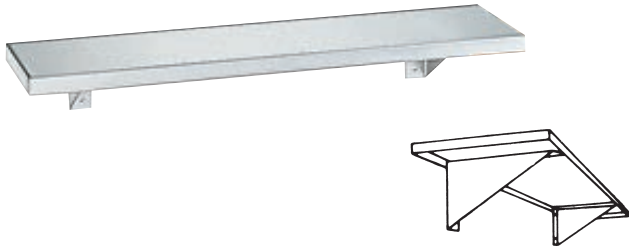


Hooks/Shelves/Custodial Accessories



B-295 STAINLESS STEEL SHELF

5" (125mm) wide, 18-gauge (1.2mm), type 304 stainless steel, satin finish. $\frac{3}{4}$ " (19mm) return edge; front edge is hemmed for safety. Brackets are 16-gauge (1.6mm). Available in one-piece lengths: $\frac{1}{2}$ 16", $\frac{1}{2}$ 18", $\frac{1}{2}$ 24", (405, 455, 610mm).

B-296 Similar to B-295, but shelf is 6" (150mm) wide, 18" (455mm) lengths.

B-298 Similar to B-295, but shelf is 8" (205mm) wide, 18", 24" (455, 610mm) lengths.



B-224 SHELF WITH MOP AND BROOM HOLDERS AND RAG HOOKS

Shelf is 18-gauge (1.2mm), type 304 stainless steel, satin finish; 36" Long, 6" H, 8" D (915 x 150 x 205mm). Four anti-slip mop holders have spring-loaded rubber cam that grips handles $\frac{7}{8}$ " to 1 $\frac{1}{4}$ " (20–30mm) diameter. Holds mops 8" (205mm) from wall. Three stainless steel rag hooks. Rod for wet rags below shelf.



B-287 FOLDING UTILITY SHELF

Easily installed on toilet partition or wall. Type 304 stainless steel, satin finish. Pull-down shelf returns to upright position when not in use. Supports 100 lbs (45.36 kg) when properly installed. Shelf 14 $\frac{1}{2}$ " long, 5 $\frac{3}{4}$ " wide (370 x 145mm).



B-239 SHELF WITH MOP AND BROOM HOLDERS AND HOOKS

Shelf is 18-gauge (1.2mm), type 304 stainless steel, satin finish; 34" Long, 13" H, 8" D (865 x 330 x 205mm). Three anti-slip mop holders have spring-loaded rubber cam that grips handles $\frac{7}{8}$ " to 1 $\frac{1}{4}$ " (20–30mm) diameter. Four stainless steel hooks.



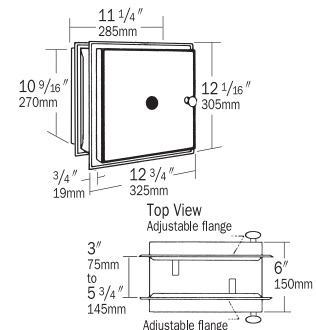
B-223 MOP AND BROOM HOLDER

Type 304 stainless steel, satin finish. Anti-slip mop holders have spring-loaded rubber cam that grips handles $\frac{7}{8}$ " to 1 $\frac{1}{4}$ " (20–30mm) diameter. Holds mops 3 $\frac{1}{4}$ " (85mm) from wall. Height 5" (125mm).

MODEL NO.	NO. HOLDERS	LENGTH
-----------	-------------	--------

B-223x24	3	24" (610mm)
----------	---	-------------

B-223x36	4	36" (915mm)
----------	---	-------------



B-505 RECESSED SPECIMEN PASS-THRU CABINET

Provides convenient passage for specimen from patient area to laboratory. Mounts in walls 3" to 5 $\frac{3}{4}$ " (75–145mm) thick. Type 304 stainless steel, satin finish. Self-closing doors. Interlocking mechanism prevents both doors from being open at the same time; provides sight barrier. Removable stainless steel tray. Rough Wall Opening: 11 $\frac{1}{2}$ " W, 10 $\frac{7}{8}$ " H (290 x 275mm); 3" to 5 $\frac{3}{4}$ " (75–145mm) thick.