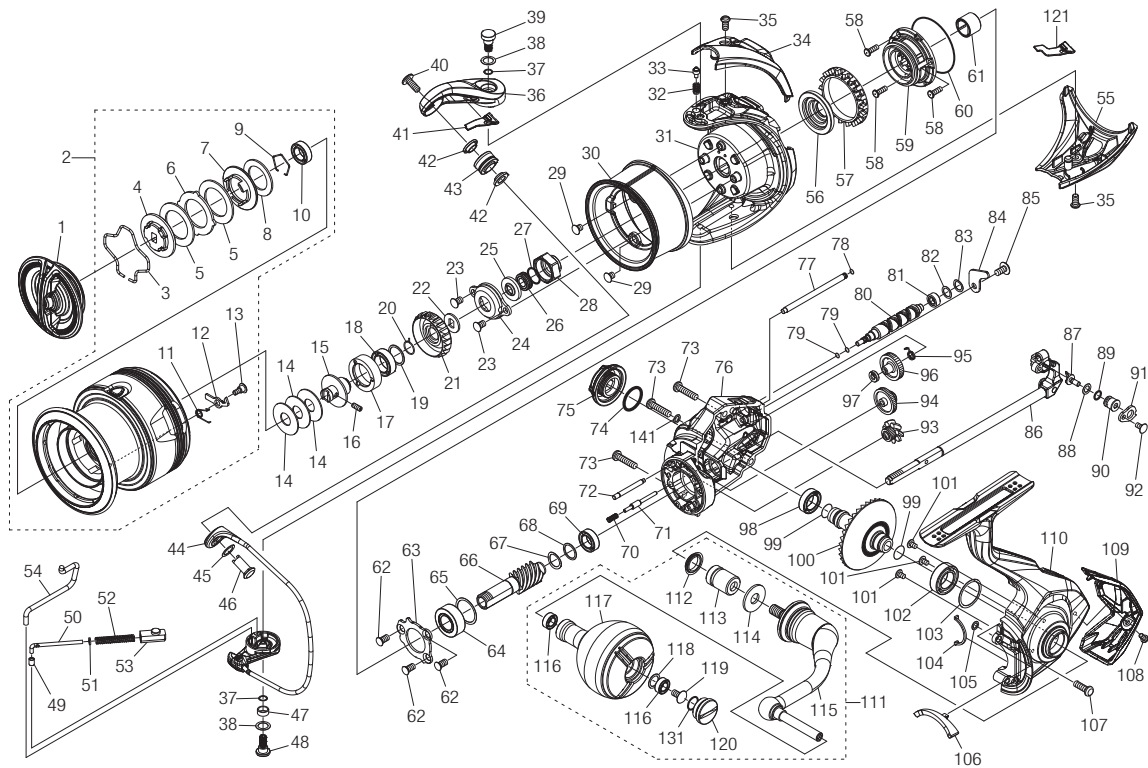


# SHIMANO

## TWIN POWER

## TPC5000XGFE



(51SF80FH49X)

Please note that the number of adjusting washers may not be the same as shown in the exploded views.  
(Adjustment will vary with each individual product.)

#	Part No.	Description	#	Part No.	Description	#	Part No.	Description
1	145NP	Drag Knob Assembly	45	1002S	Washer	89	108W9	O Ring
2	146AJ	Spool Assembly	46	13ZML	Line Roller Support	90	1005H	Oscillating Slider Bushing
3	145QR	Retainer	47	101D0	Bushing	91	10HAH	Oscillating Pawl Cover
4	10QBY	Key Washer B	48	13Z1K	Screw	92	10MT4	Screw
5	10R5H	Drag Washer A	49	10DKC	Bail Spring Guide A Bush	93	10SQA	Idle Gear (Large)
6	10BCP	Eared Washer	50	10SAN	Bail Spring Guide A	94	10R4Q	Idle Gear C
7	10B9D	Key Washer A	51	101D9	Spring Guide A Support Collar	95	10R5N	Idle Gear Spring
8	10R4W	Drag Washer B	52	10R2P	Bail Spring	96	10R5L	Idle Gear
9	10GEW	Bearing Retainer	53	10R2E	Bail Spring Guide B	97	106M8	Bushing
10	104JT	Ball Bearing	54	10SED	Bail Trip Lever	98	104PP	Ball Bearing
11	10BQE	Drag Click Spring	55	1012D	Bail Hold Support Guard	99	1009S	O Ring
12	10TJX	Drag Click	56	101D5	Rotor Ring	100	13YFE	Drive Gear
13	10A6F	Screw	57	10DK7	Friction Ring	101	1055G	Screw
14	101AV	Spool Washer	58	101LH	Screw	102	104PT	Ball Bearing
15	10LTS	Spool Bearing Bushing	59	10S2L	Roller Clutch Assembly	103	100W9	Washer
16	10PN2	Set Screw	60	10DKD	O Ring	104	10DKA	Flange Water Proof
17	10TQH	Bearing Housing	61	10DJY	Roller Clutch Inner	105	10GA7	Washer
18	10EX8	Ball Bearing	62	10TGX	Screw	106	10QWW	Bail Trip Strike
19	10GHN	Washer	63	10R53	Bearing Retainer	107	10M2A	Screw
20	107V2	Ratchet Spring	64	101WE	Ball Bearing	108	10EF0	Screw
21	107PS	Drag Click Ratchet	65	107JT	Washer	109	1400V	Rear Protector
22	103NX	Spool Support	66	10SEH	Pinion Gear	110	146AK	Side Cover Assembly
23	103LB	Screw	67	10053	Washer	111	146A9	Handle Assembly
24	1076P	Nut Lock Plate	68	10GD8	Spacer	112	10PXU	Handle Shaft Seal
25	10SPZ	Bearing Water Proof	69	104JQ	Ball Bearing	113	10070	Handle Shaft Cover B
26	13YZ8	Main Shaft Collar	70	10R5T	Idle Gear Shaft	114	10FJ6	Handle Washer
27	100KS	O Ring	71	10SEC	Idle Gear Shaft	115	146AA	Handle Shank Assembly
28	10SQ2	Rotor Nut	72	13XY6	Idle Gear C Shaft	116	104VX	Ball Bearing
29	103C8	Screw	73	100YN	Screw	117	146AB	Handle Knob Assembly
30	1011W	Rotor Brim	74	10BWH	O Ring	118	104FH	Washer
31	145UY	Rotor Assembly	75	13Z13	Handle Screw Cap	119	103E9	Screw
32	10CGZ	Click Spring	76	13YZ6	Body	120	1004B	Handle Knob Seal
33	106UX	Click Pin	77	10SQ5	Oscillating Guide	131	10LAB	O Ring
34	1011M	Bail Spring Cover	78	10JAB	O Ring	141	10J48	Washer
35	10RP9	Screw	79	10092	O Ring			
36	13YZ3	Bail Arm	80	10SQ6	Worm Shaft			
37	10192	Washer	81	10TH6	Bushing			
38	10G6C	Washer	82	100XZ	Washer			
39	13Z1M	Screw	83	10TK0	Washer			
40	14Z2M	Screw	84	13YYE	Worm Shaft Retainer			
41	10SQ4	Bail Arm Fin	85	10QG5	Screw			
42	1020L	Bearing Housing	86	13YFD	Main Shaft Assembly			
43	101KE	Line Roller Set	87	106VM	Oscillating Pawl			
44	145UZ	Bail Assembly	88	100CW	Washer	121	10SE2	Bail Arm Fin (accessory)