

# Assembly Guide

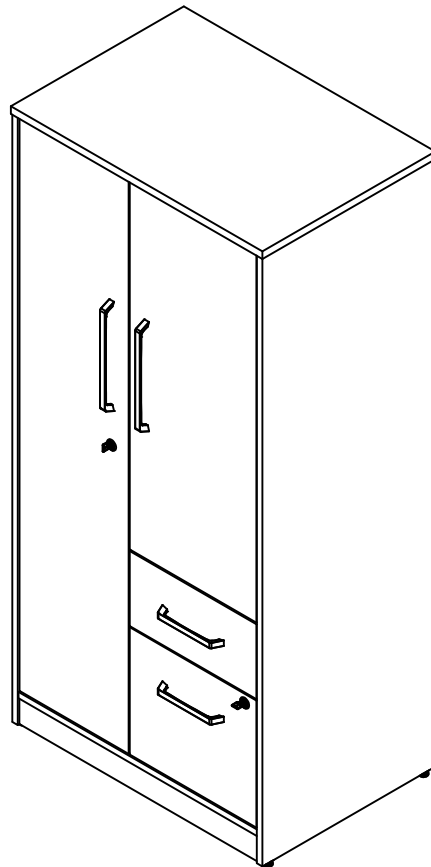


If you're having any difficulty during assembly of this product, don't hesitate to call us at **1-800-950-4782.**

Our customer service experts are trained to provide step-by-step instruction and can easily replace any missing or damaged parts.

**Representatives are available Monday-Friday from 8:30 a.m. to 7:30 p.m. (ET)**

## Wardrobe Storage Cabinet



Lot Code #

Instruction Sheet Number A220321

Keep manual for future reference.

## For best results, keep these tips in mind:

- ① We know you want to finish this assembly as quickly as possible, but trust us: you'll have a better experience if you take it one step at a time.
- ② Give yourself some room to work near where you want the fully assembled product.
- ③ If your floor isn't carpeted, assemble this product on the empty carton to avoid scratching.
- ④ Do you have a friend who owes you a favor? Some steps may go a little easier with a second set of hands.

## DOs

- ✔ Use a #2 Phillips head screwdriver (or other handheld tools as indicated)
- ✔ Wear safety glasses at all times during assembly
- ✔ Carefully follow the instructions in this guide and complete all steps in order
- ✔ Give us a call if you're having trouble with a particularly tricky step

## DON'Ts

- ✘ We know power tools are quick and easy, but you shouldn't use them when assembling this product (unless otherwise specified)
- ✘ Never move your furniture with items inside or resting on the surface
- ✘ Do not attempt to use this product before all steps have been completed

## Watch assembly videos right on your phone or computer!



Some steps include QR codes that link to helpful videos. Watch out for the icon below! Simply open up your smartphone camera to scan the code.

*(Users of older smartphones may need to install a QR Reader.)*

**SCAN HERE**



**FOR VIDEOS**

Or visit <https://bushfurniture.com/help-faq/#assembling>



# IMPORTANT SAFETY INFORMATION



## PLEASE READ WARNINGS

Improper use can cause safety hazards, or damage to your furniture and household items.

Warning	Do	Don't	Why it's important
<b>Serious injury may occur.</b>	<ul style="list-style-type: none"><li>Assemble following all instructions using all indicated parts and hardware provided.</li><li>Install every indicated nail and/or screw.</li><li>Verify furniture is stable on it's own.</li><li>Place heaviest items in the lower drawers or shelves.</li><li>Remove items that might tempt kids to climb, such as toys and remote controls from the top and upper shelves of furniture.</li><li>Install tip-over restraint provided.</li></ul>	<ul style="list-style-type: none"><li>Do not move unit when loaded.</li><li>Do not load with a television or other heavy equipment.</li><li>Do not exceed the maximum load limits stated in the instructions.</li><li>Do not allow children to stand, climb, or hang on furniture.</li></ul>	Improper assembly, use or loading can lead to product instability, tip-over or collapse.

Advertencia	Hacer	No	Por qué es importante
<b>Se pueden producir lesiones graves.</b>	<ul style="list-style-type: none"><li>Ensamble siguiendo todas las instrucciones utilizando todas las piezas y hardware indicados provistos.</li><li>Instale todos los clavos y / o tornillos indicados.</li><li>Verifique que los muebles sean estables por sí mismos.</li><li>Coloque los artículos más pesados en los cajones o estantes inferiores.</li><li>Retire los artículos que puedan tentar a los niños a trepar, como juguetes y controles remotos de los estantes superiores y superiores de los muebles.</li><li>Instale el sistema de sujeción antivuelco que se proporciona.</li></ul>	<ul style="list-style-type: none"><li>No mueva la unidad cuando esté cargada.</li><li>No cargue con un televisor u otro equipo pesado.</li><li>No exceda los límites máximos de carga establecidos en las instrucciones.</li><li>No permita que los niños se paren, trepen o cuelguen de muebles.</li></ul>	El ensamblaje, uso o carga inadecuados pueden provocar inestabilidad del producto, vuelco o colapso.

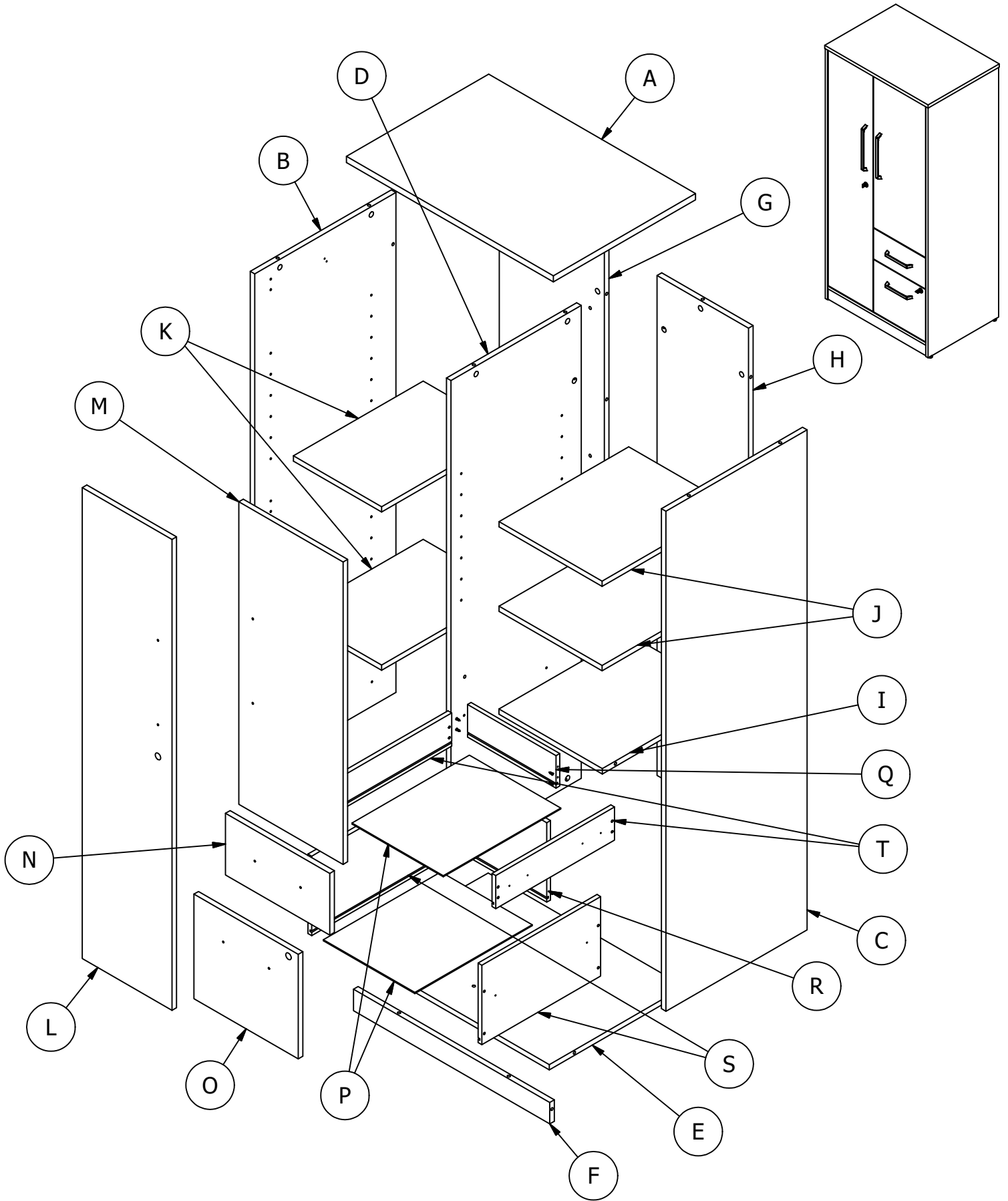
## IMPORTANT SAFETY INFORMATION



# PLEASE READ WARNINGS

Improper use can cause safety hazards, or damage to your furniture and household items.

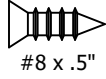
Avertissement	Faire	Ne le fais pas	Pourquoi c'est important
<b>Des blessures graves peuvent survenir.</b>	<ul style="list-style-type: none"><li>• Assemblez en suivant toutes les instructions en utilisant toutes les pièces et le matériel indiqués fournis.</li><li>• Installez tous les clous et / ou vis indiqués.</li><li>• Vérifiez que les meubles sont stables par eux-mêmes.</li><li>• Placez les articles les plus lourds dans les tiroirs ou les étagères inférieurs.</li><li>• Retirez les objets qui pourraient inciter les enfants à grimper, tels que les jouets et les télécommandes des étagères supérieure et supérieure des meubles.</li><li>• Installez le dispositif anti-basculement fourni.</li></ul>	<ul style="list-style-type: none"><li>• Ne déplacez pas l'unité lorsqu'elle est chargée.</li><li>• Ne chargez pas avec un téléviseur ou un autre équipement lourd.</li><li>• Ne dépassez pas les limites de charge maximale indiquées dans les instructions.</li><li>• Ne laissez pas les enfants se tenir debout, grimper ou s'accrocher aux meubles.</li></ul>	Un assemblage, une utilisation ou un chargement incorrects peuvent entraîner une instabilité du produit, un renversement ou un effondrement.



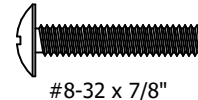
Have an assembly question or need a replacement part? Just call  
**1-800-950-4782**, we are here to help.

Fasteners are shown actual size.

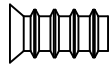
H218835 [ 12 ]  
(Black) #8 x .5"



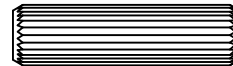
H23480 [ 8 ]  
#8-32 x 7/8"



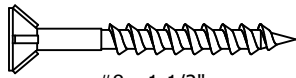
H195734 [ 8 ]  
M6.3 X 13MM



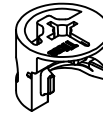
H38169 [ 4 ]  
Wood Dowel 8 x 30



H150333 [ 8 ]  
#8 x 1-1/2"



H181468US [ 35 ]  
KD Cam3000



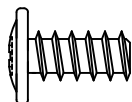
H192100 [ 16 ]  
#8 x 1/2"



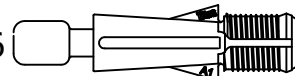
H72988 [ 8 ]  
KD Bolt



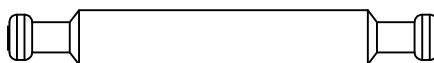
H146988 [ 6 ]  
Euro 13/14mm



H171556 [ 21 ]  
Quickfit TL4

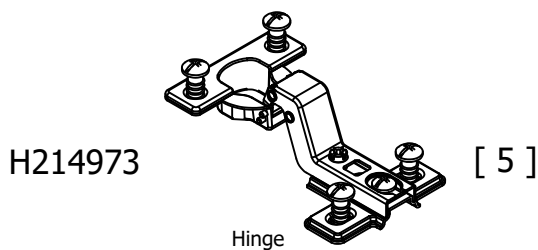
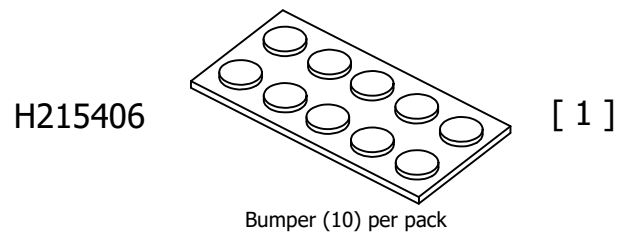
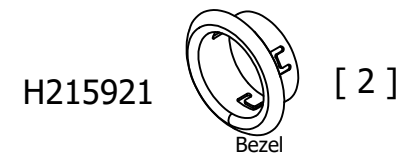
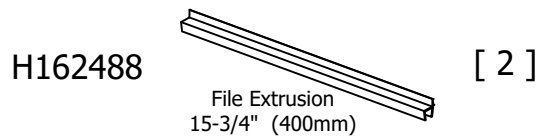
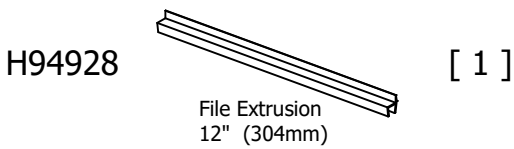
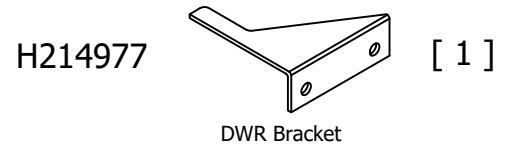
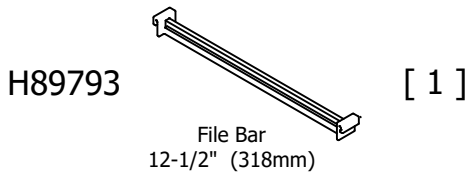
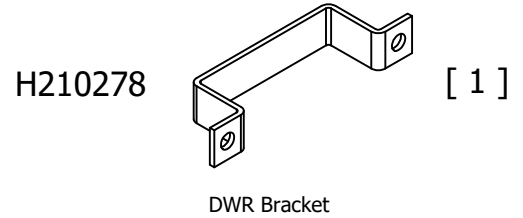
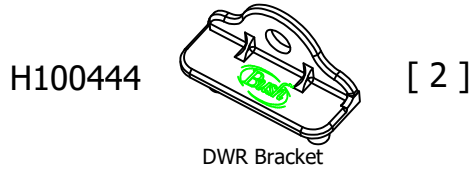
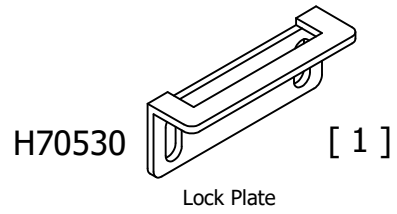
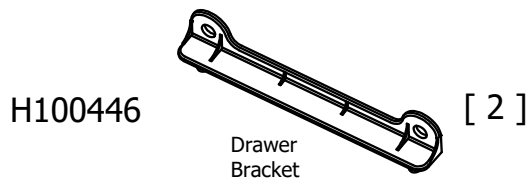


H79096 [ 3 ]  
KD Bolt Double Head



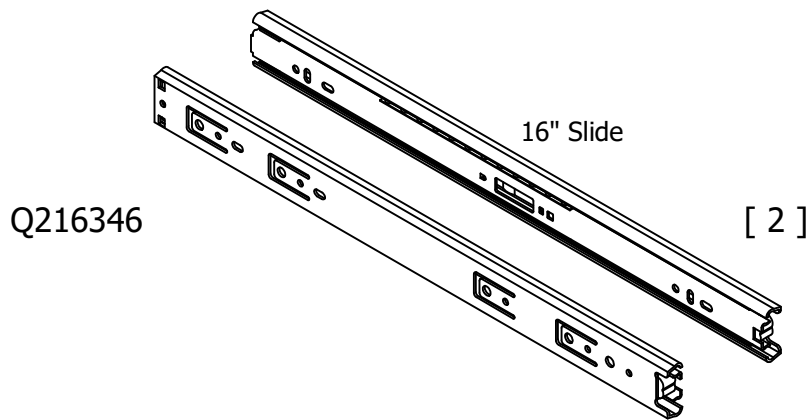
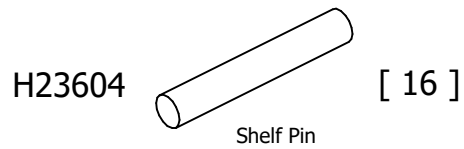
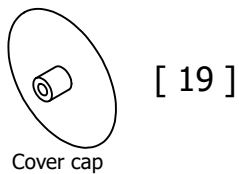
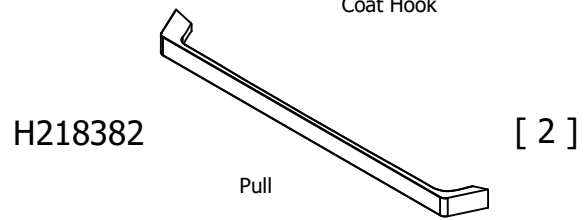
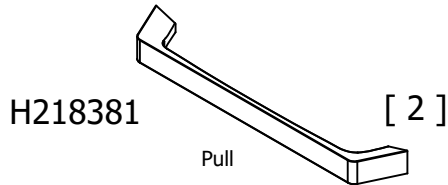
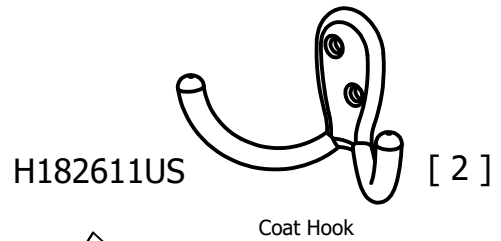
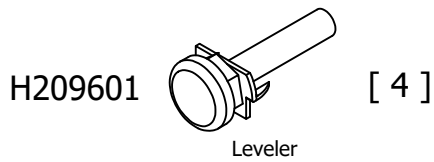
Have an assembly question or need a replacement part? Just call  
**1-800-950-4782**, we are here to help.

Hardware not to scale.



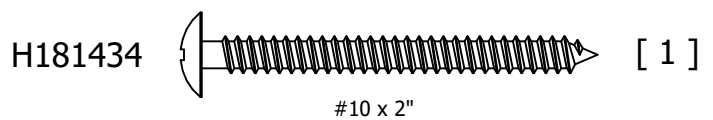
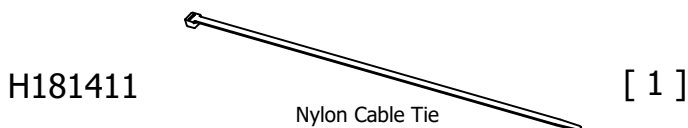
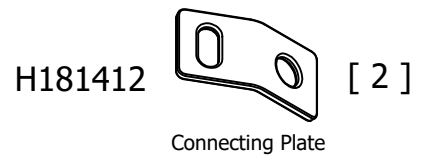
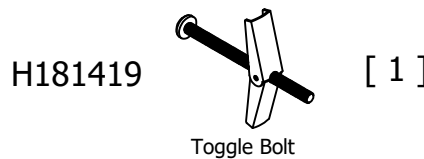
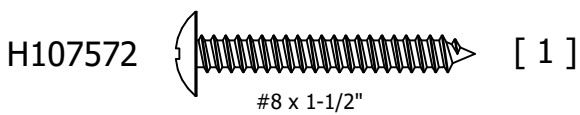
Have an assembly question or need a replacement part? Just call **1-800-950-4782**, we are here to help.

Hardware not to scale.



## TIPOVER RESTRAINT HARDWARE

SUGERENCIA SOBRE HARDWARE DE RETENCIÓN  
MATÉRIEL DE RETENUE SUR LE SUPPORT



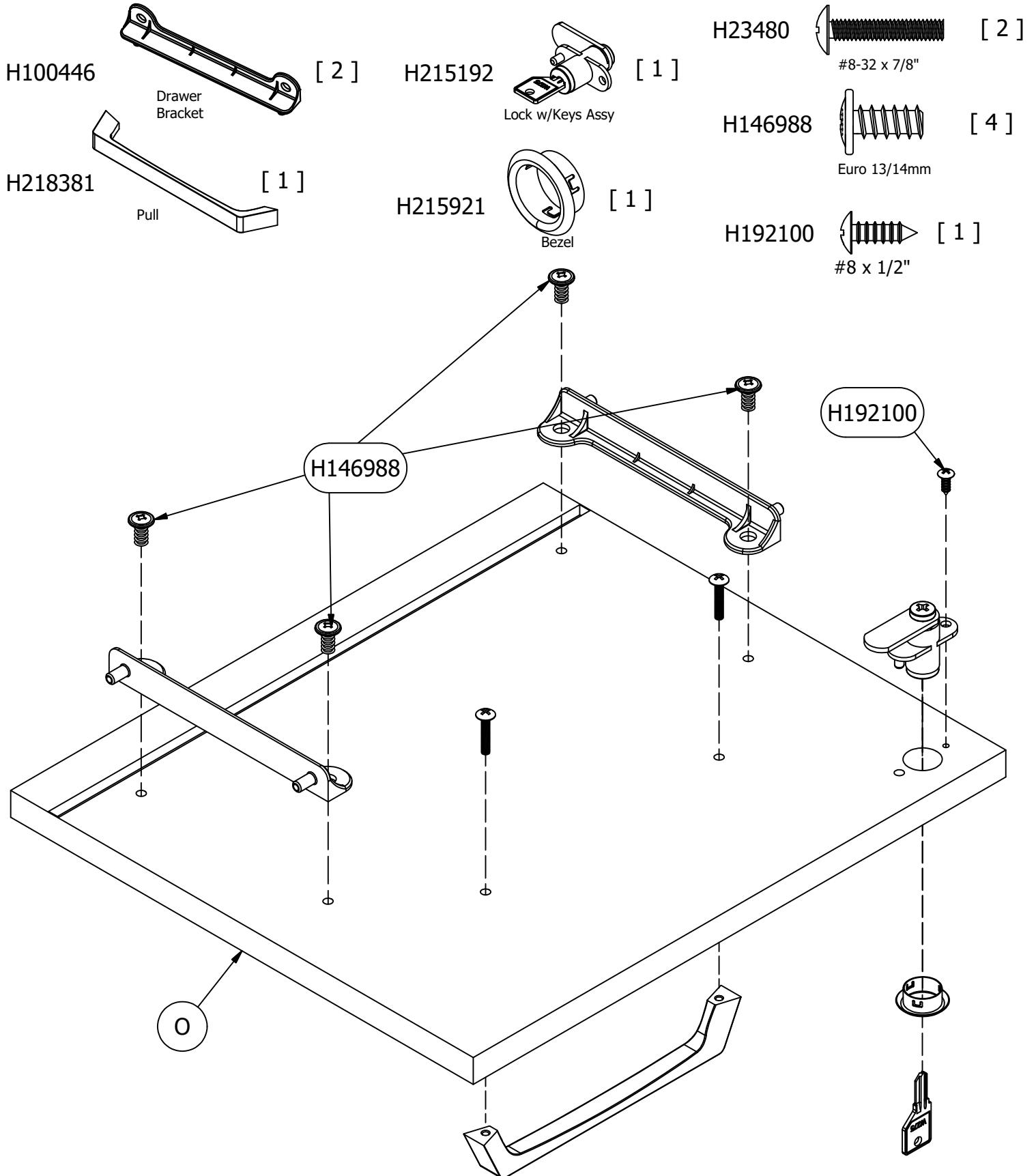
Have an assembly question or need a replacement part? Just call  
**1-800-950-4782**, we are here to help.



# STEP 1

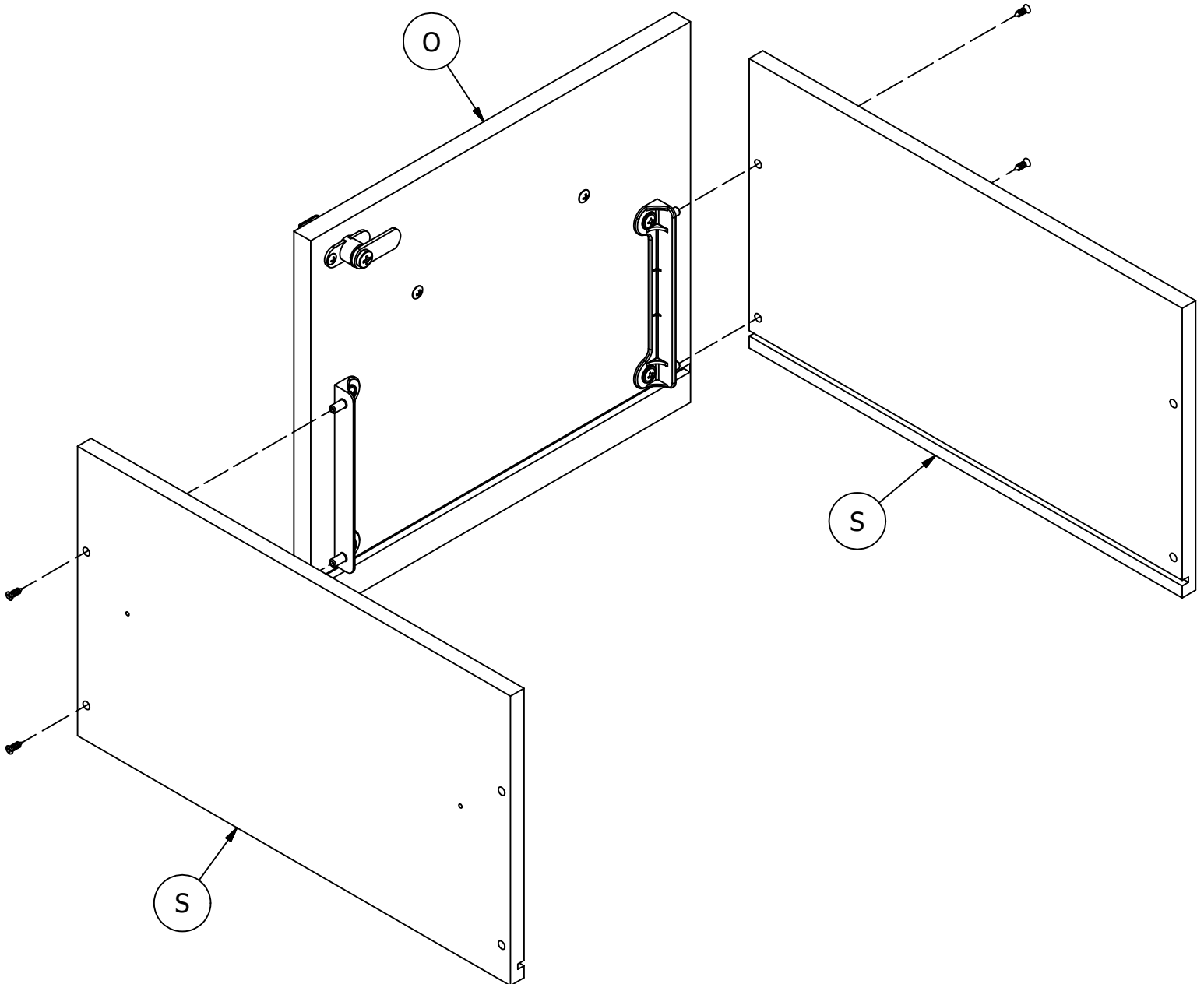
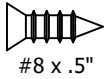
## Prepare Panel

A220321



Have an assembly question or need a replacement part? Just call  
**1-800-950-4782**, we are here to help.

H218835 [ 4 ]  
(Black) #8 x .5"



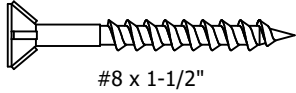
Have an assembly question or need a replacement part? Just call  
**1-800-950-4782**, we are here to help.

# STEP 3

# Assemble Panels

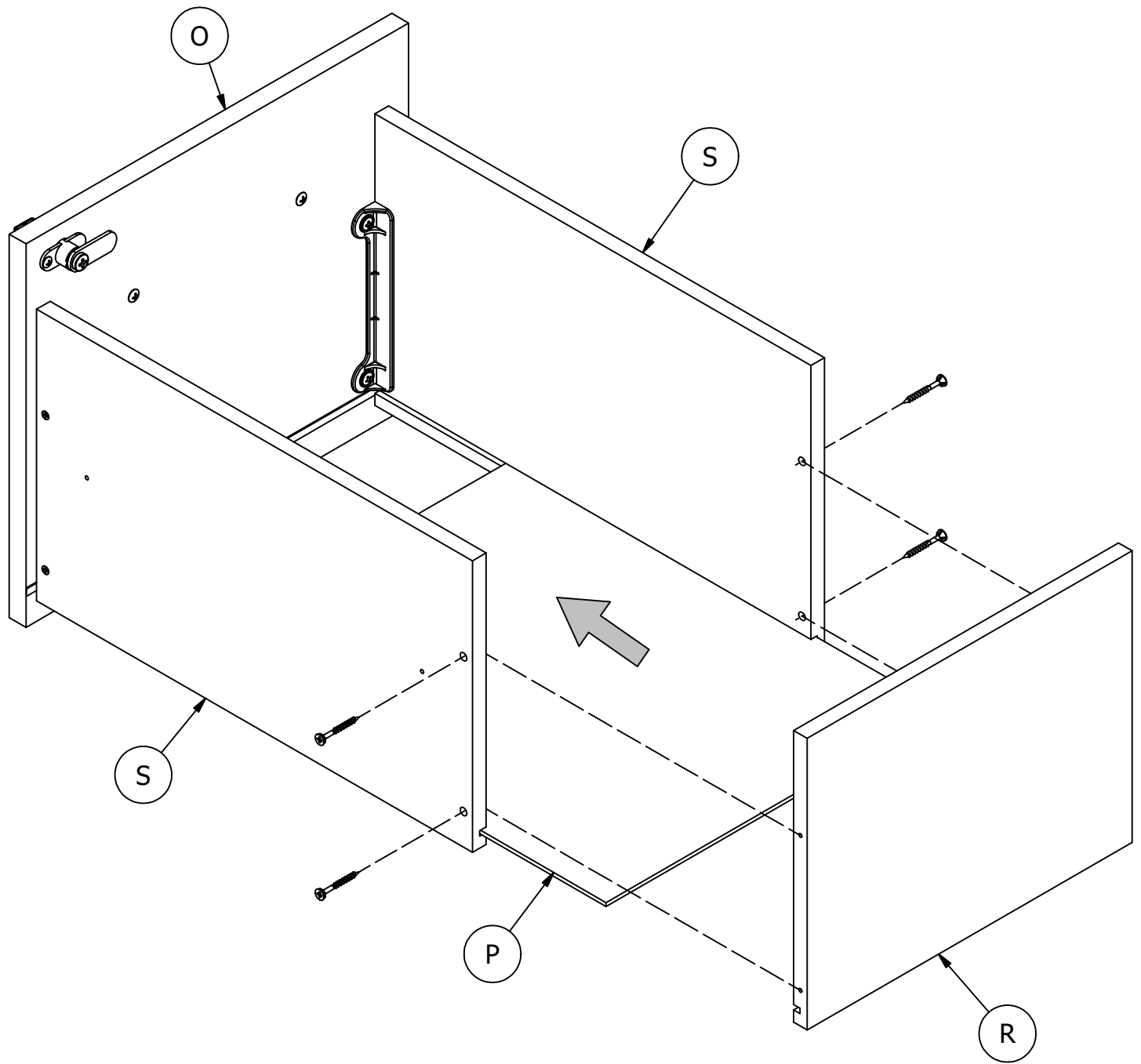
A220321

H150333



[ 4 ]

#8 x 1-1/2"




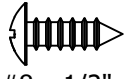
Have an assembly question or need a replacement part? Just call  
**1-800-950-4782**, we are here to help.

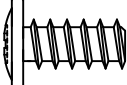
# STEP 4

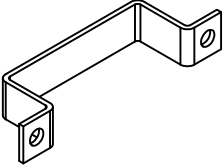
# Prepare Panel


A220321

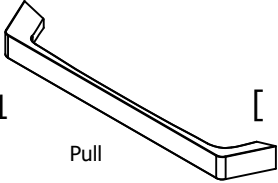
H23480  [ 2 ]  
#8-32 x 7/8"

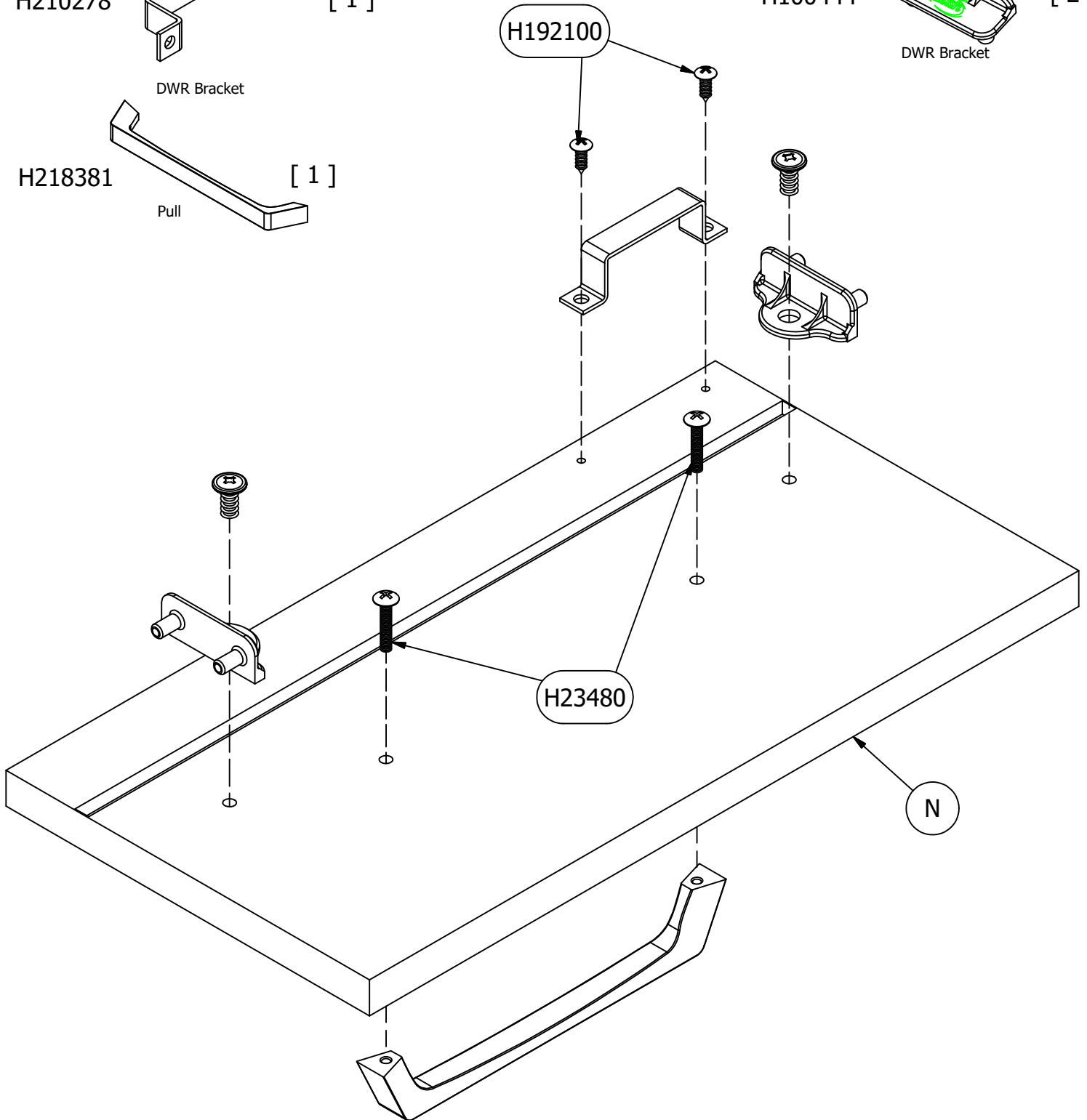
H192100  [ 2 ]  
#8 x 1/2"

H146988  [ 2 ]  
Euro 13/14mm

H210278  [ 1 ]  
DWR Bracket

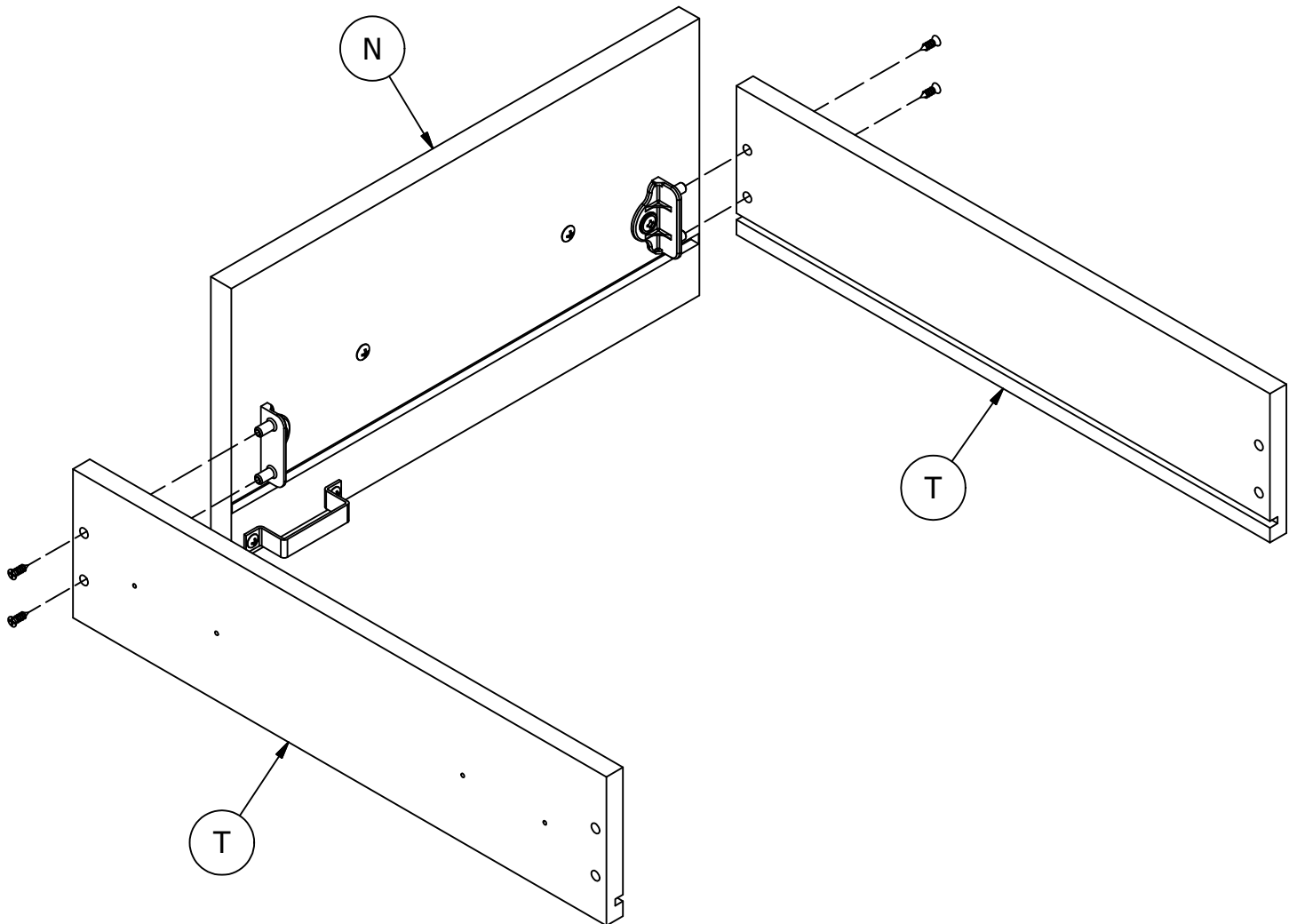
H100444  [ 2 ]  
DWR Bracket

H218381  [ 1 ]  
Pull



Have an assembly question or need a replacement part? Just call **1-800-950-4782**, we are here to help.

H218835 [ 4 ]  
(Black) #8 x .5"



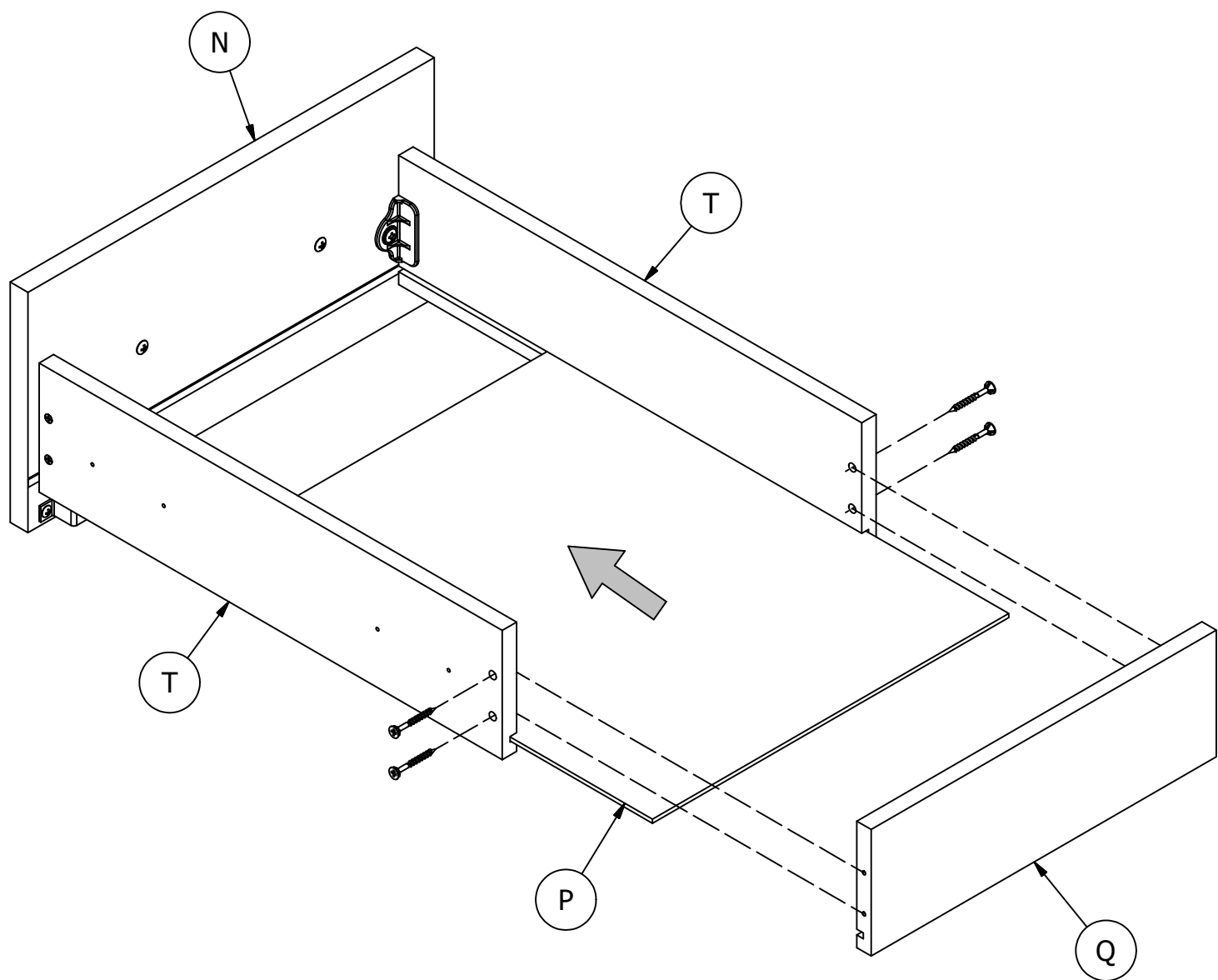
Have an assembly question or need a replacement part? Just call  
**1-800-950-4782**, we are here to help.

H150333



#8 x 1-1/2"

[ 4 ]



Have an assembly question or need a replacement part? Just call  
**1-800-950-4782**, we are here to help.

Scan QR Code to Watch Video on:

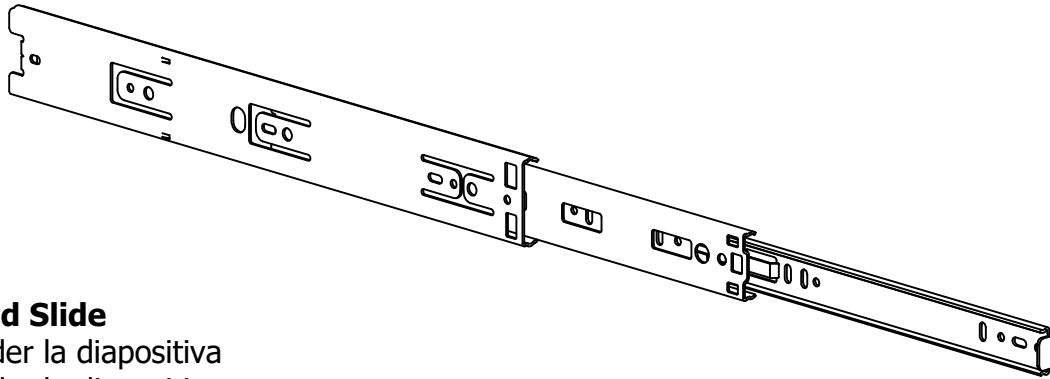


How to Separate and Install Drawer Slides

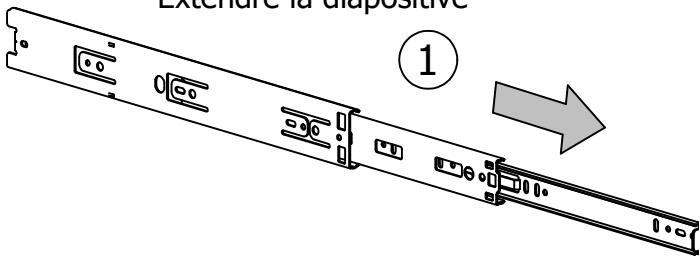
**Slides Must Be Separated Before Assembly.  
After Separated, Set Aside Until Needed for Assembly.**

Las diapositivas deben separarse antes del montaje.  
Después de la separación, déjelo a un lado hasta que sea necesario.

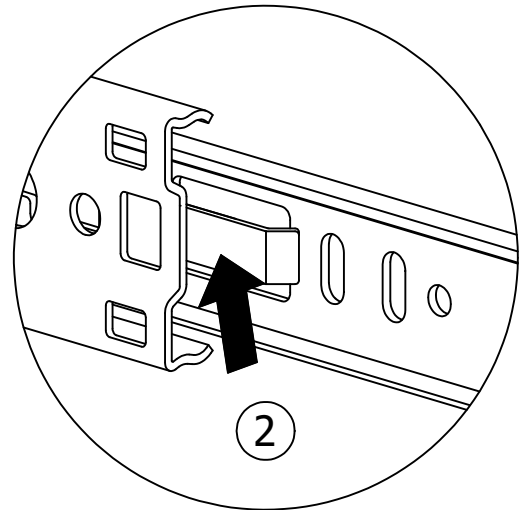
Les glissières doivent être séparées avant l'assemblage.  
Après la séparation, mettez de côté jusqu'au moment de l'assemblage.



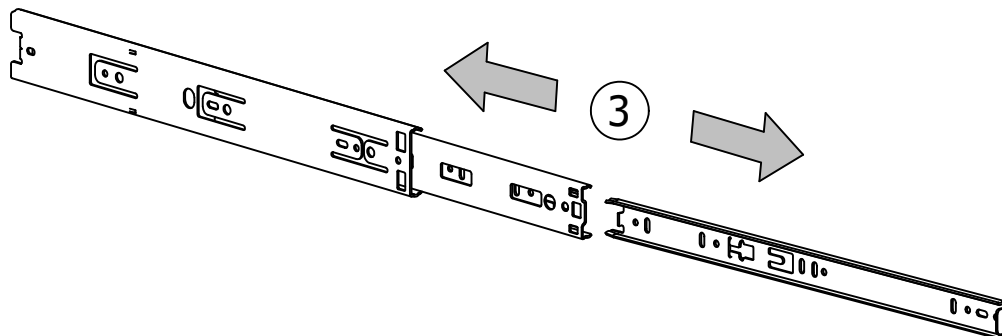
**STEP 1: Extend Slide**  
Extender la diapositiva  
Extendre la diapositive



**STEP 2: Push Button**  
Presionar el botón  
Bouton poussoir



**STEP 3: Remove Runner**  
Quitar el corredor  
Enlever le coureur



Have an assembly question or need a replacement part? Just call  
**1-800-950-4782**, we are here to help.

# STEP 8

# Attach Hardware

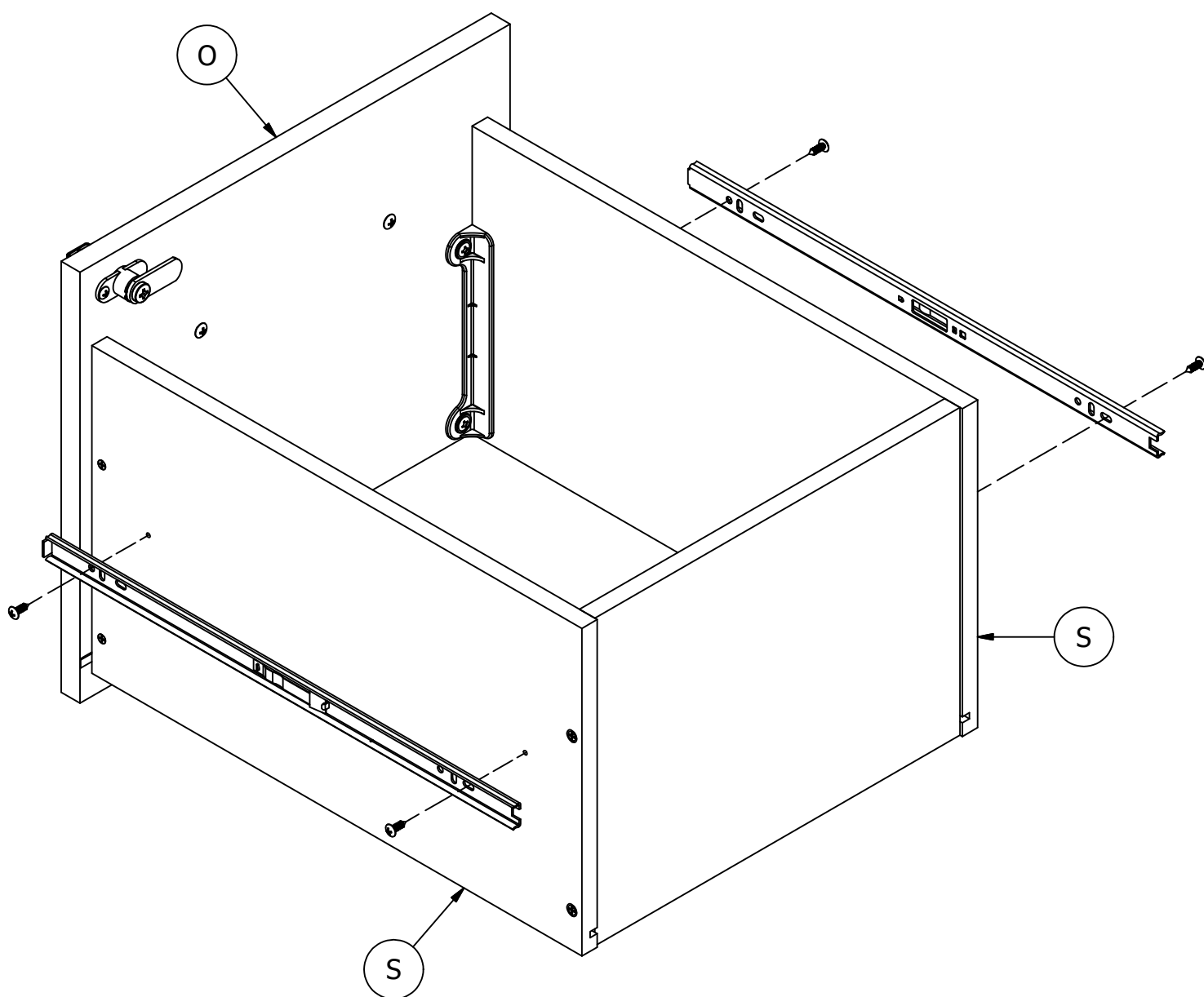
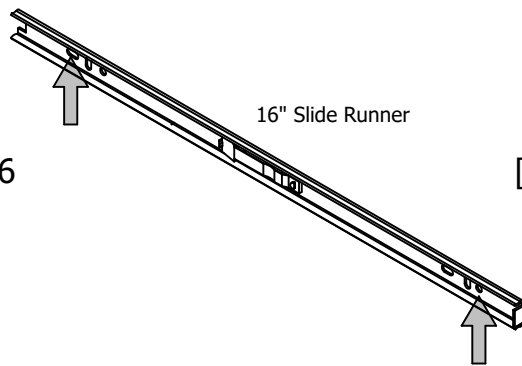
A220321

H192100 [ 4 ]  
#8 x 1/2"

Q216346

16" Slide Runner

[ 2 ]



Have an assembly question or need a replacement part? Just call  
**1-800-950-4782**, we are here to help.

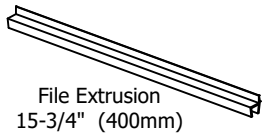


# STEP 9

# Attach Hardware

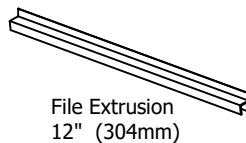
A220321

H162488



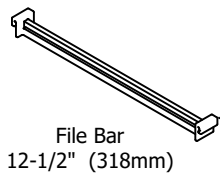
[ 2 ]

H94928

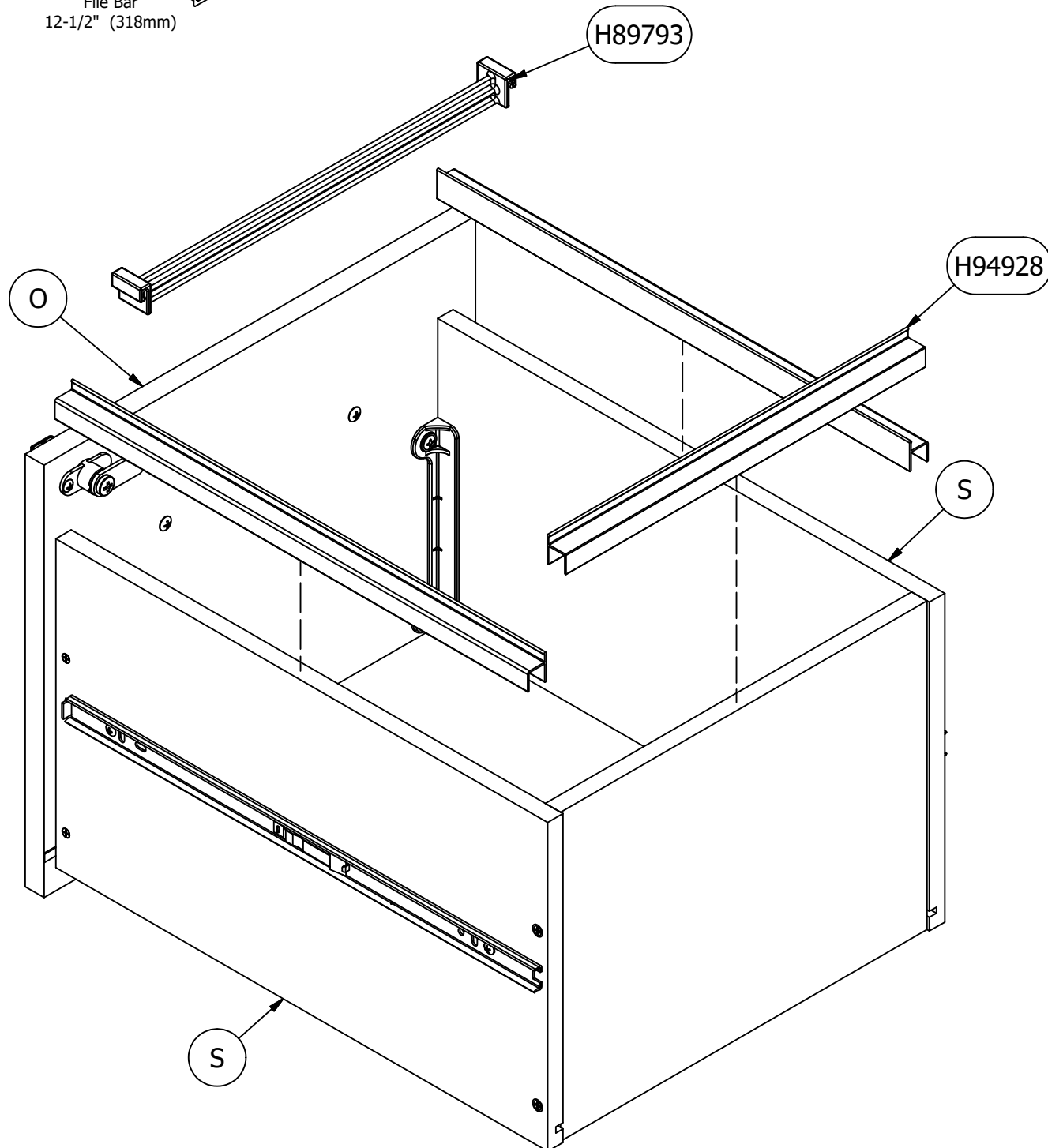


[ 1 ]

H89793



[ 1 ]



Have an assembly question or need a replacement part? Just call  
**1-800-950-4782**, we are here to help.

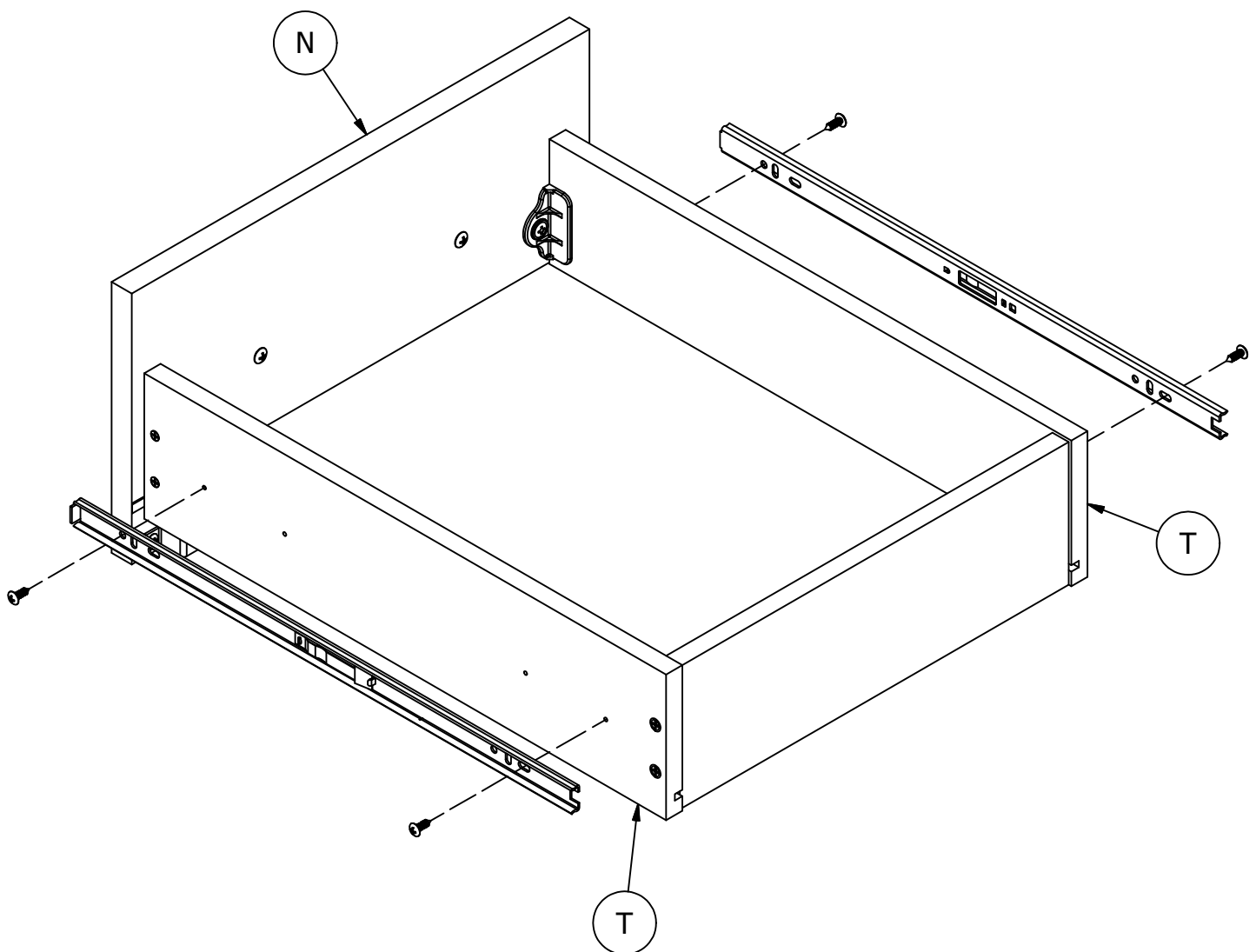
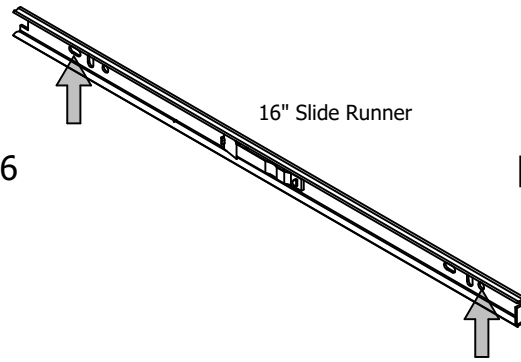
# STEP 10

# Attach Hardware

A220321

H192100 [ 4 ]  
#8 x 1/2"

Q216346 [ 2 ]



Have an assembly question or need a replacement part? Just call  
**1-800-950-4782**, we are here to help.

# STEP 11

# Prepare Panel

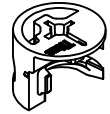
A220321

Scan QR Code to Watch Video on:



How to Tighten KD Cams

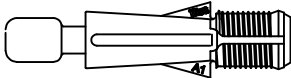
H181468US



KD Cam3000

[ 3 ]

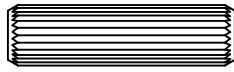
H171556



Quickfit TL4

[ 3 ]

H38169



Wood Dowel 8 x 30

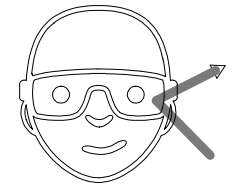
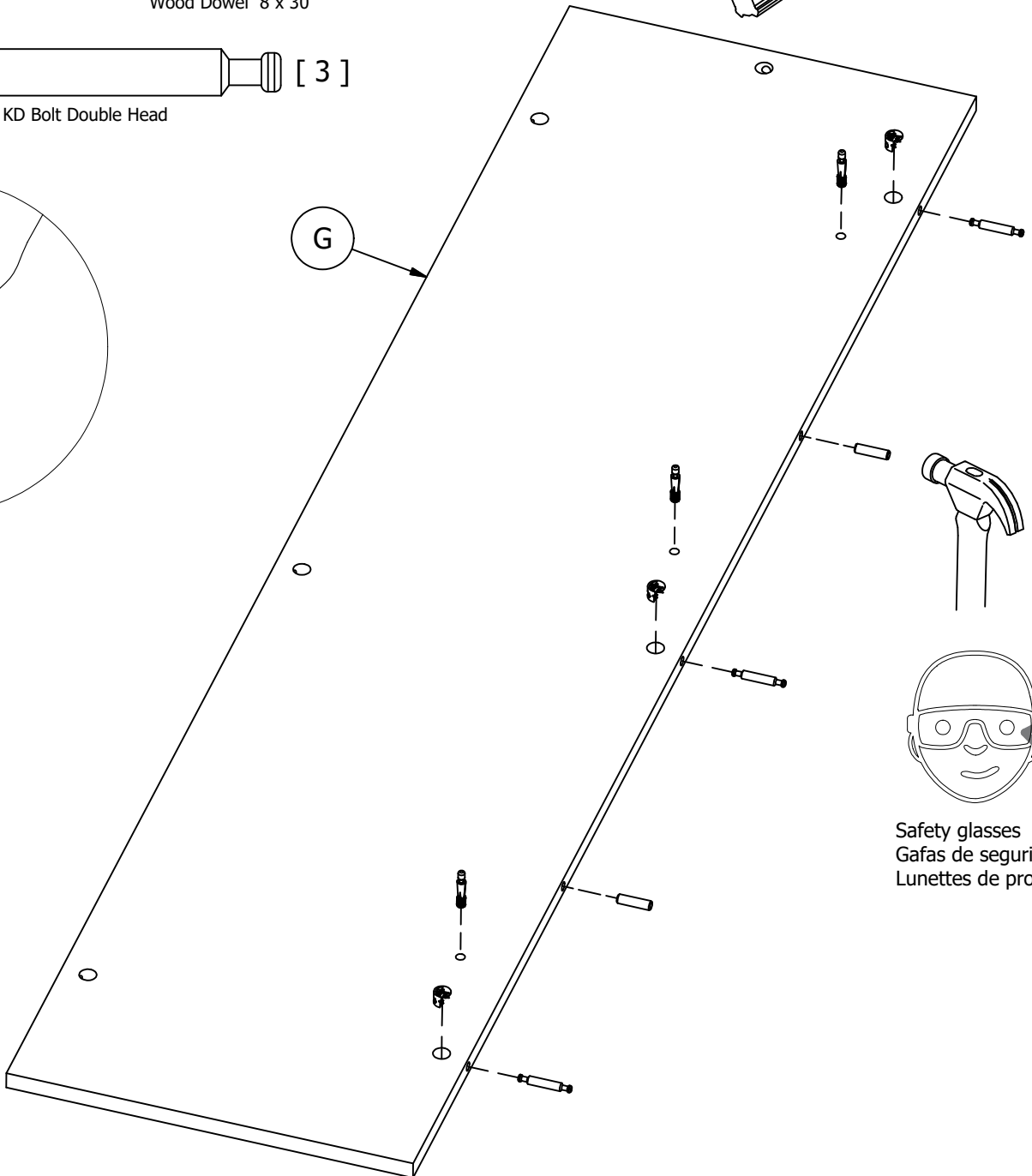
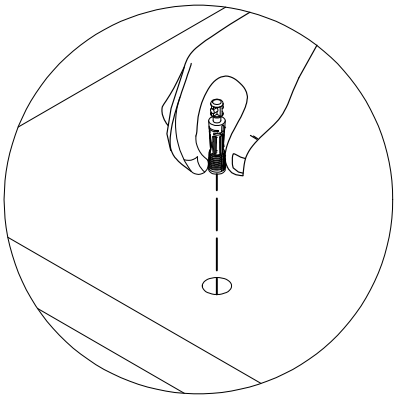
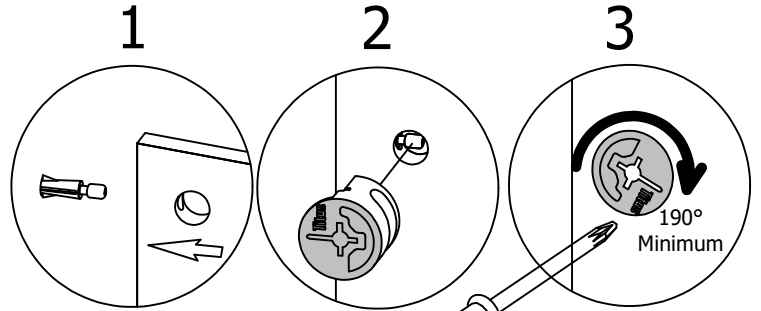
[ 2 ]

H79096



KD Bolt Double Head

[ 3 ]



Safety glasses  
Gafas de seguridad  
Lunettes de protection

Have an assembly question or need a replacement part? Just call **1-800-950-4782**, we are here to help.

# STEP 12

## Assemble Panels

A220321

Scan QR Code to Watch Video on:

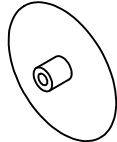


How to Tighten KD Cams

H181468US

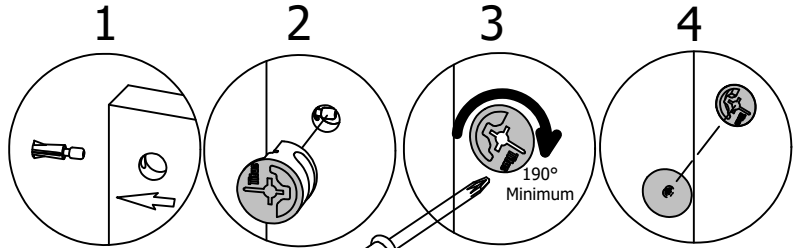


KD Cam3000

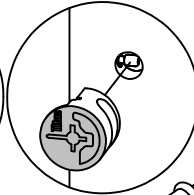


Cover Cap

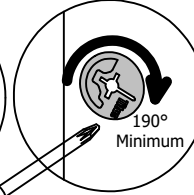
[ 3 ]



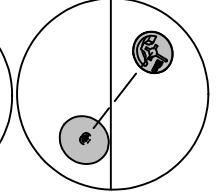
2



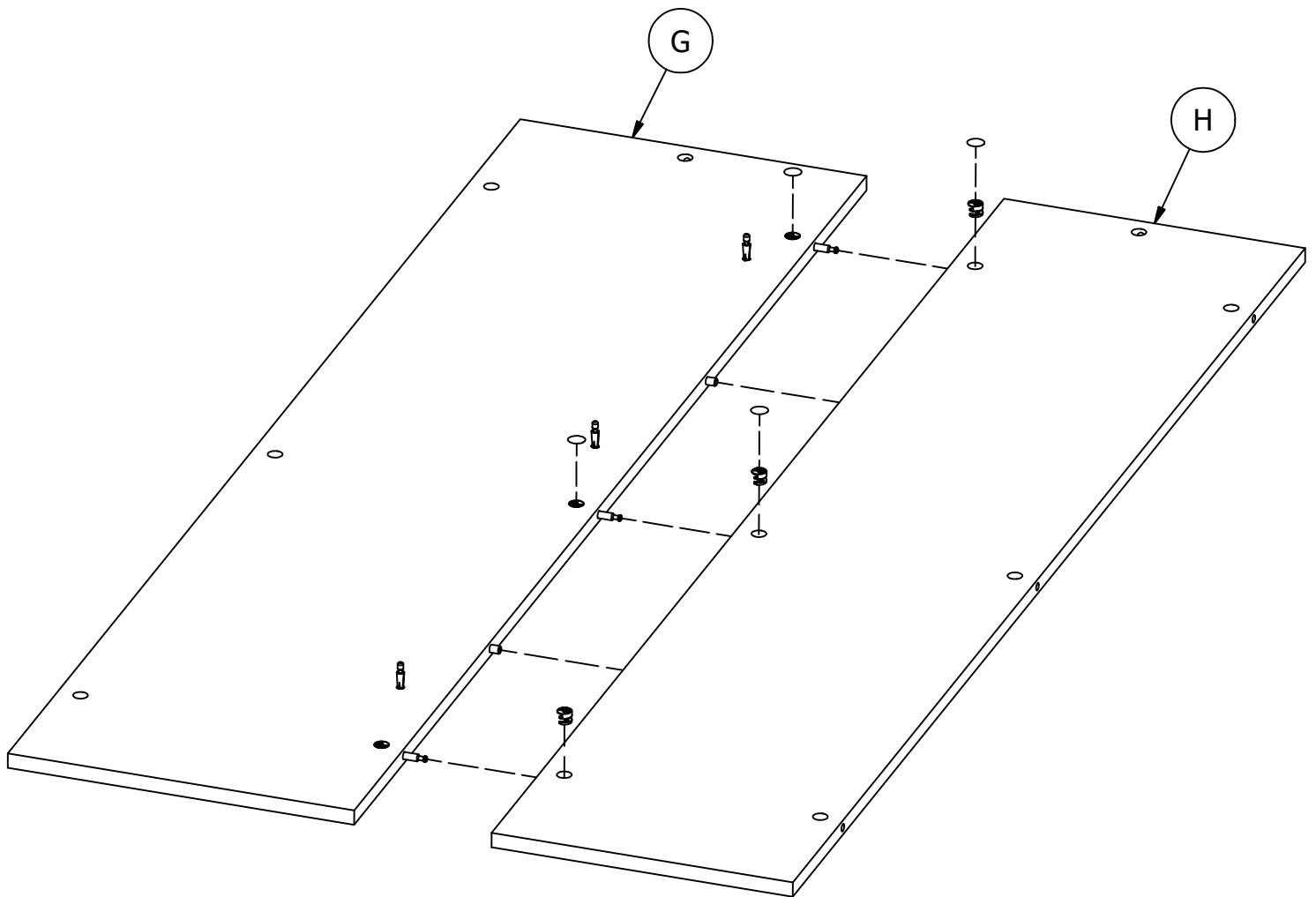
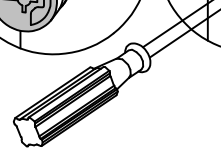
3



4



[ 4 ]



Have an assembly question or need a replacement part? Just call **1-800-950-4782**, we are here to help.

# STEP 13

# Prepare Panel

A220321

H218835 [ 2 ]  
(Black) #8 x .5"

H171556 [ 2 ]  
Quickfit TL4

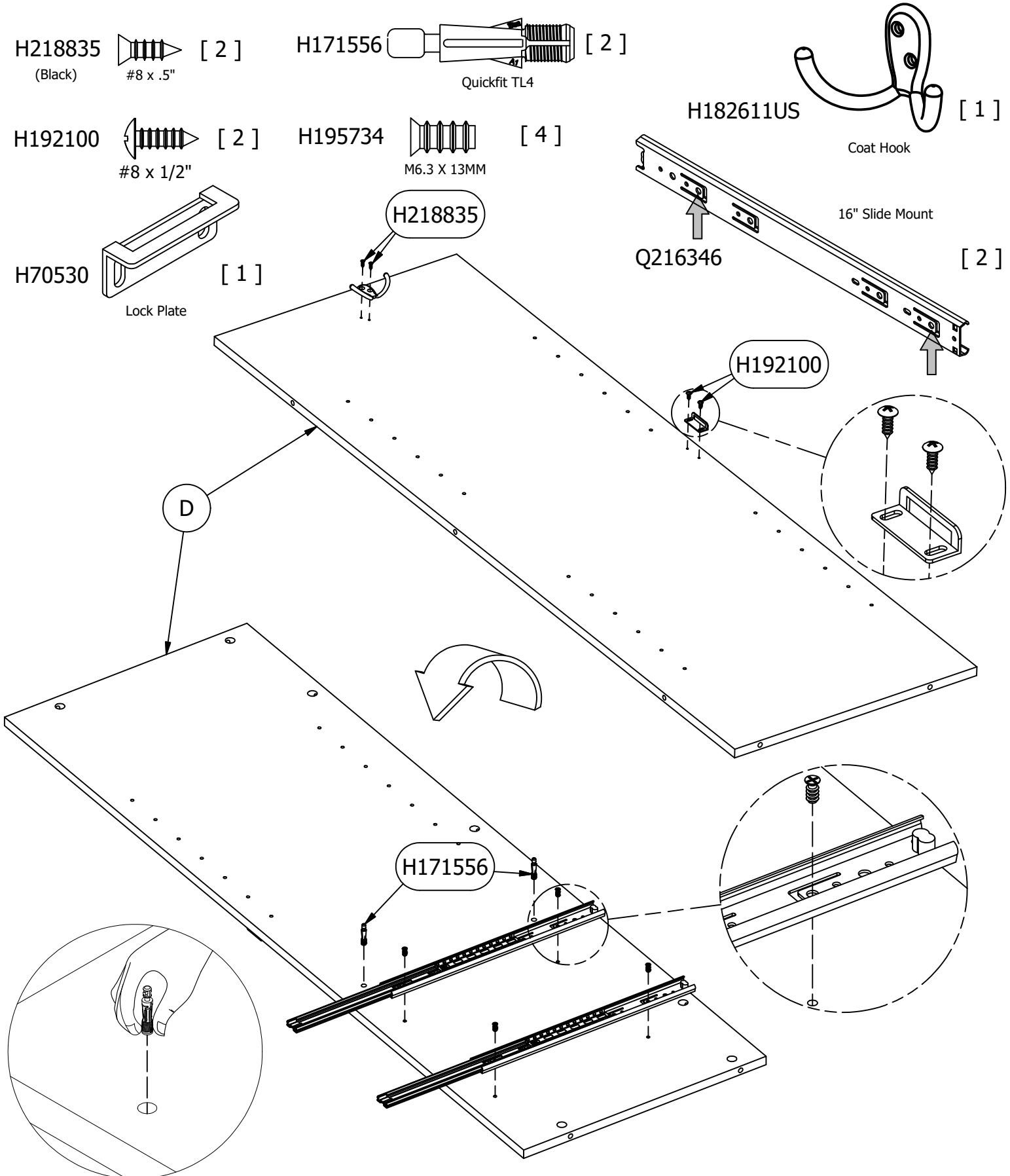
H192100 [ 2 ]  
#8 x 1/2"

H195734 [ 4 ]  
M6.3 X 13MM

H182611US [ 1 ]  
Coat Hook

H70530 [ 1 ]  
Lock Plate

Q216346 [ 2 ]  
16" Slide Mount



Have an assembly question or need a replacement part? Just call  
**1-800-950-4782**, we are here to help.

# STEP 14

# Assemble Panels

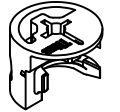
A220321

Scan QR Code to Watch Video on:



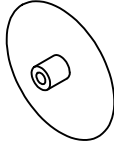
How to Tighten KD Cams

H181468US



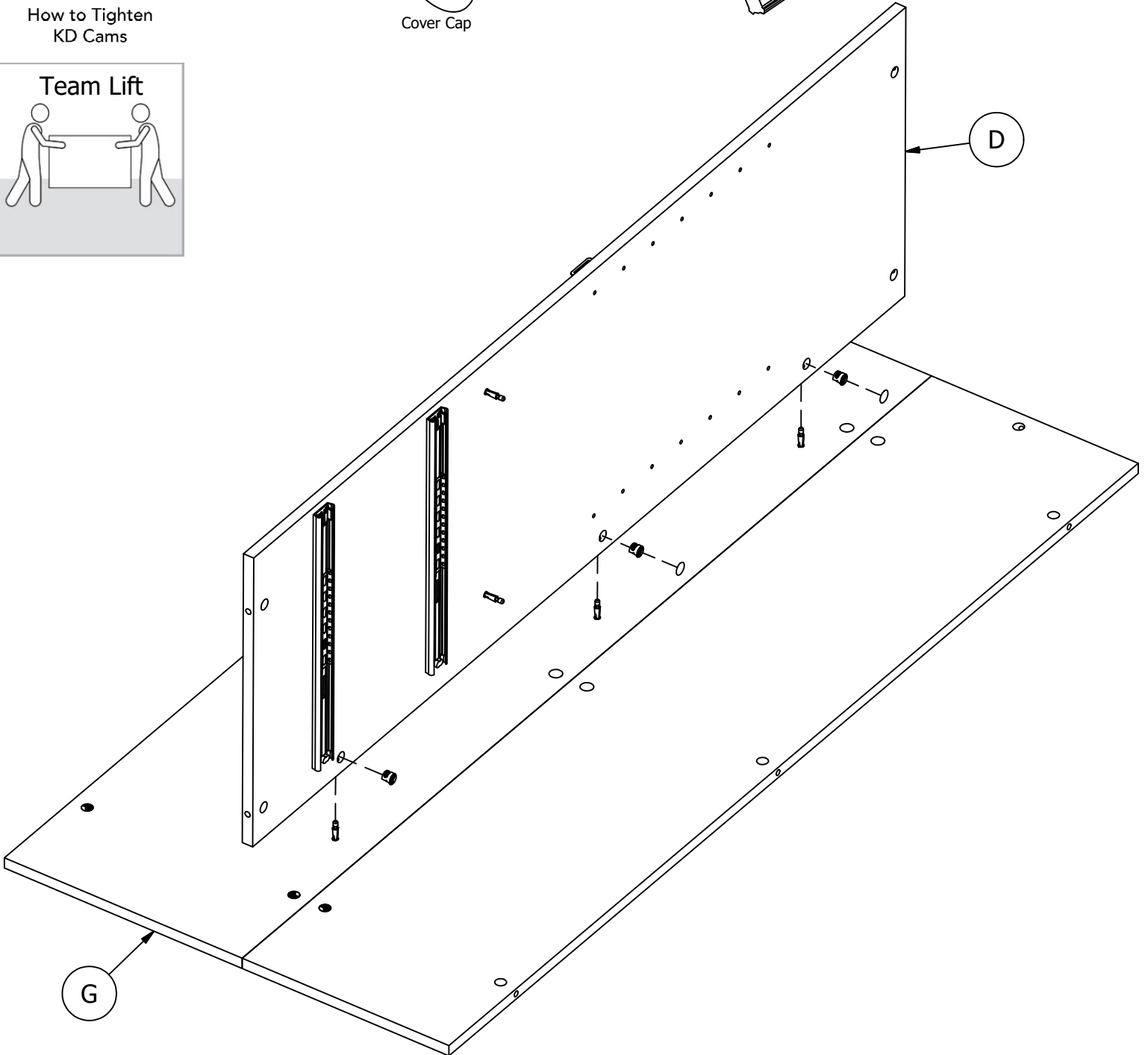
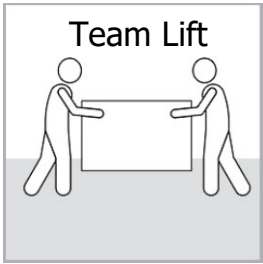
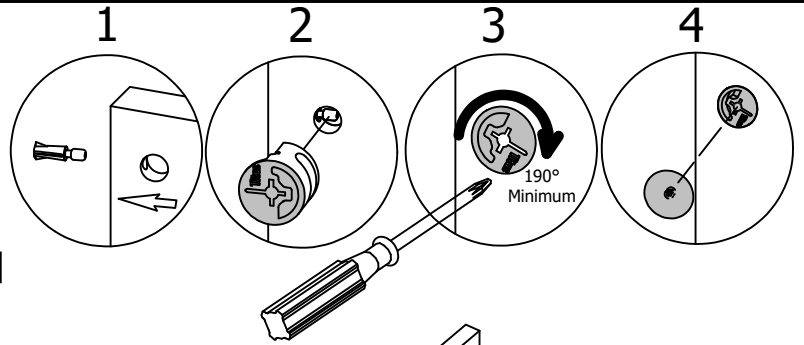
KD Cam3000

[ 3 ]



[ 2 ]

Cover Cap



Have an assembly question or need a replacement part? Just call **1-800-950-4782**, we are here to help.

# STEP 15

# Assemble Panels

A220321

Scan QR Code to Watch Video on:

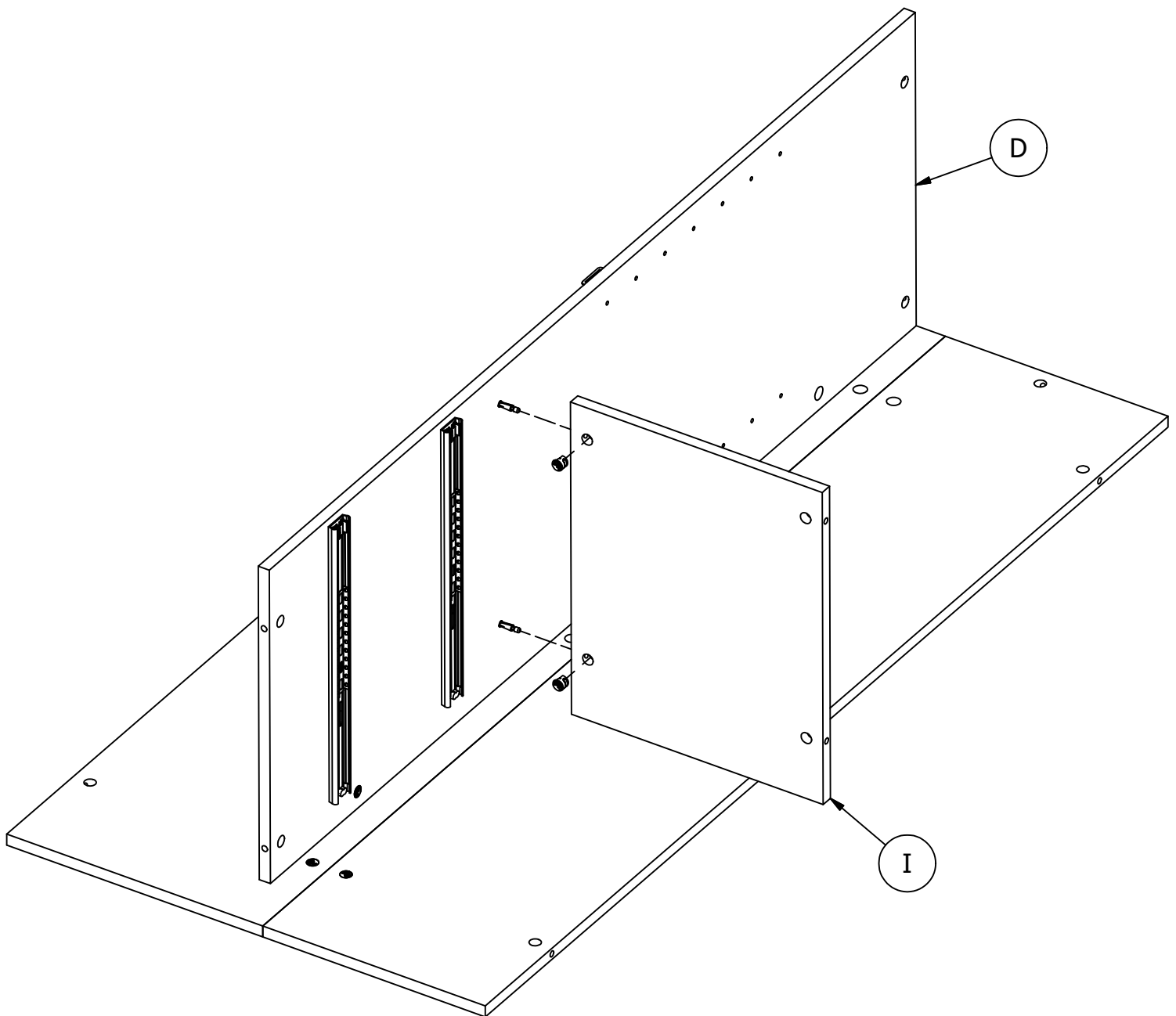
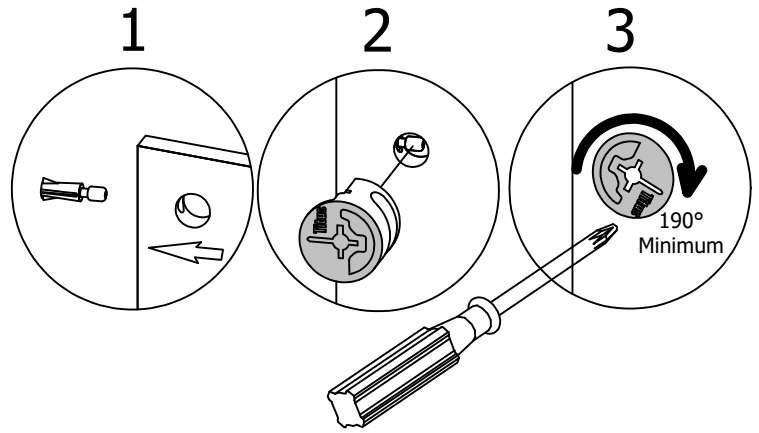


How to Tighten KD Cams

H181468US



[ 2 ]



Have an assembly question or need a replacement part? Just call **1-800-950-4782**, we are here to help.

# STEP 16

## Prepare Panels

A220321

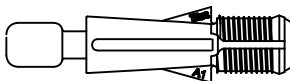
H38169



[ 2 ]

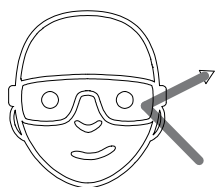
Wood Dowel 8 x 30

H171556

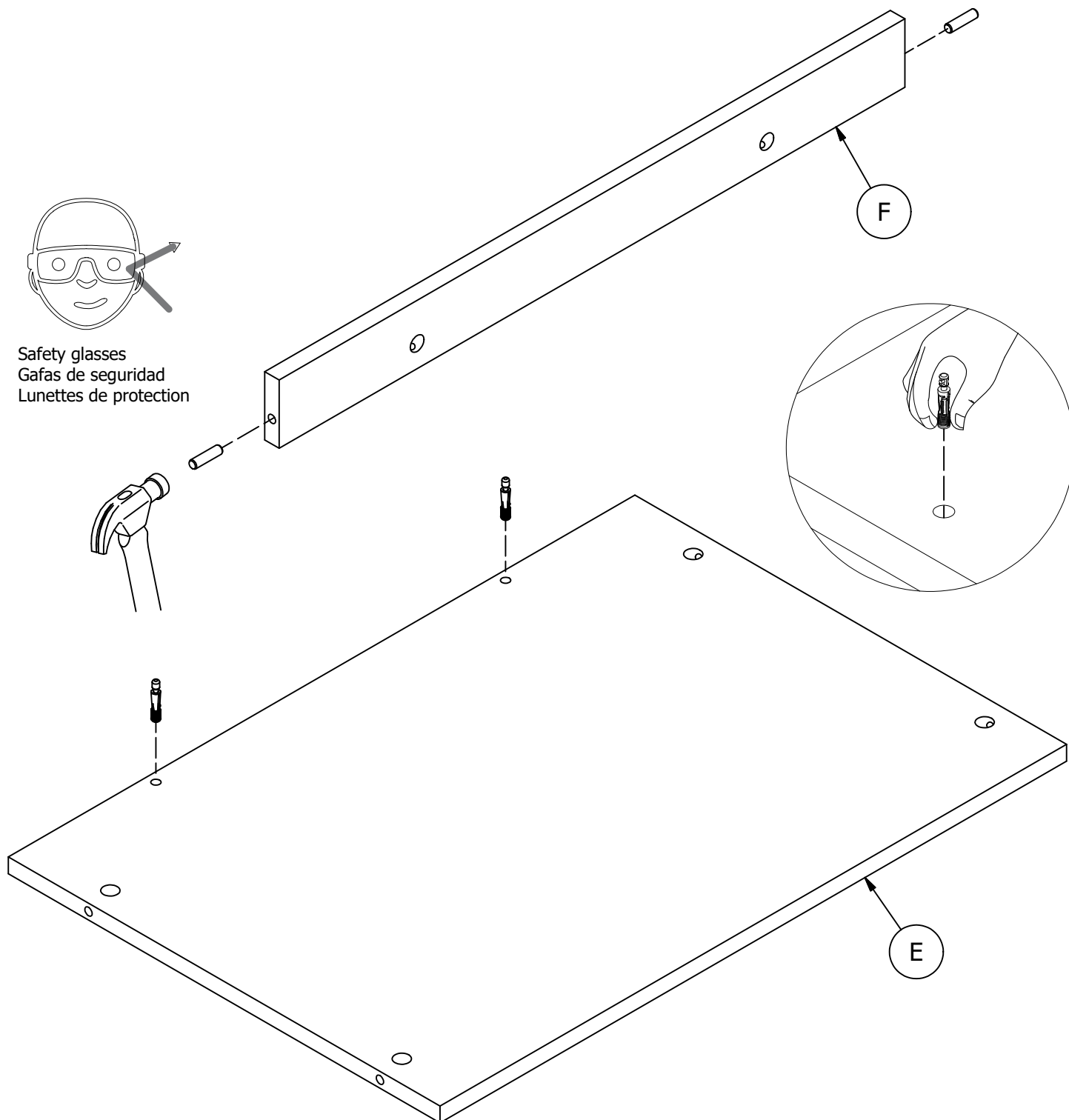


[ 2 ]

Quickfit TL4



Safety glasses  
Gafas de seguridad  
Lunettes de protection



Have an assembly question or need a replacement part? Just call  
**1-800-950-4782**, we are here to help.



# STEP 17

# Assemble Panels

A220321

Scan QR Code to Watch Video on:

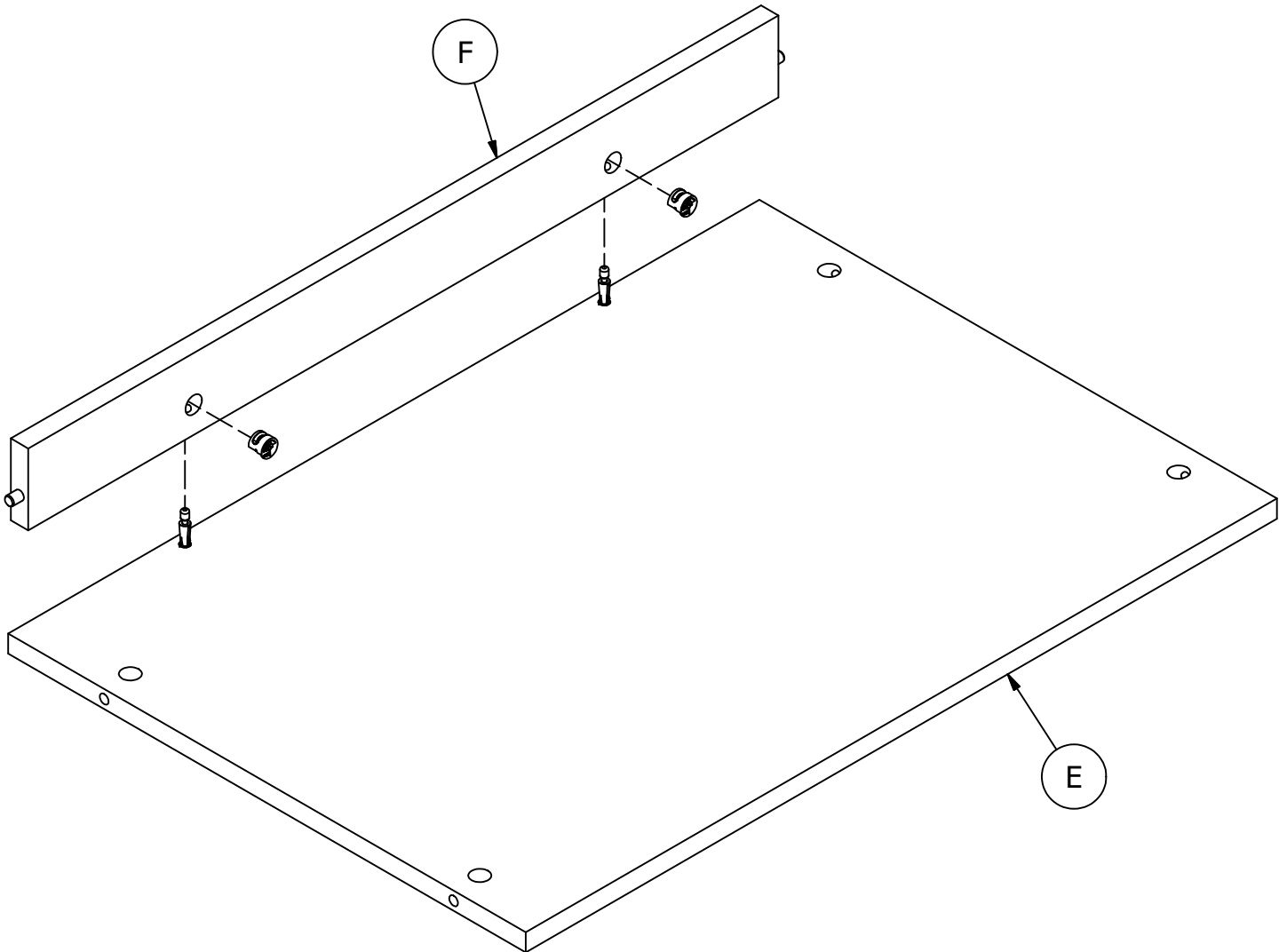
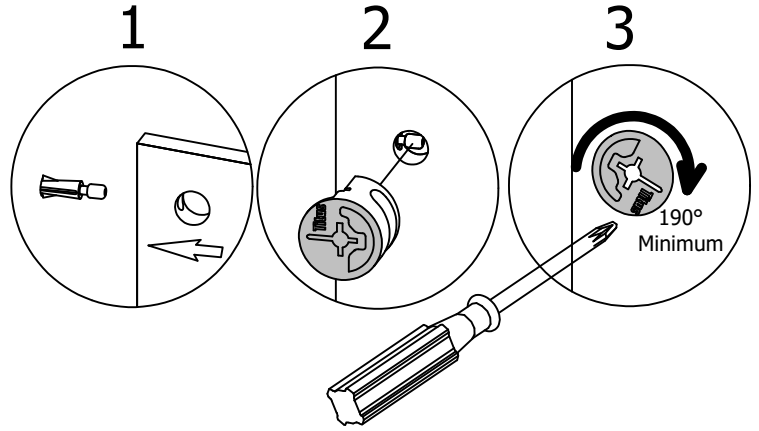


How to Tighten KD Cams

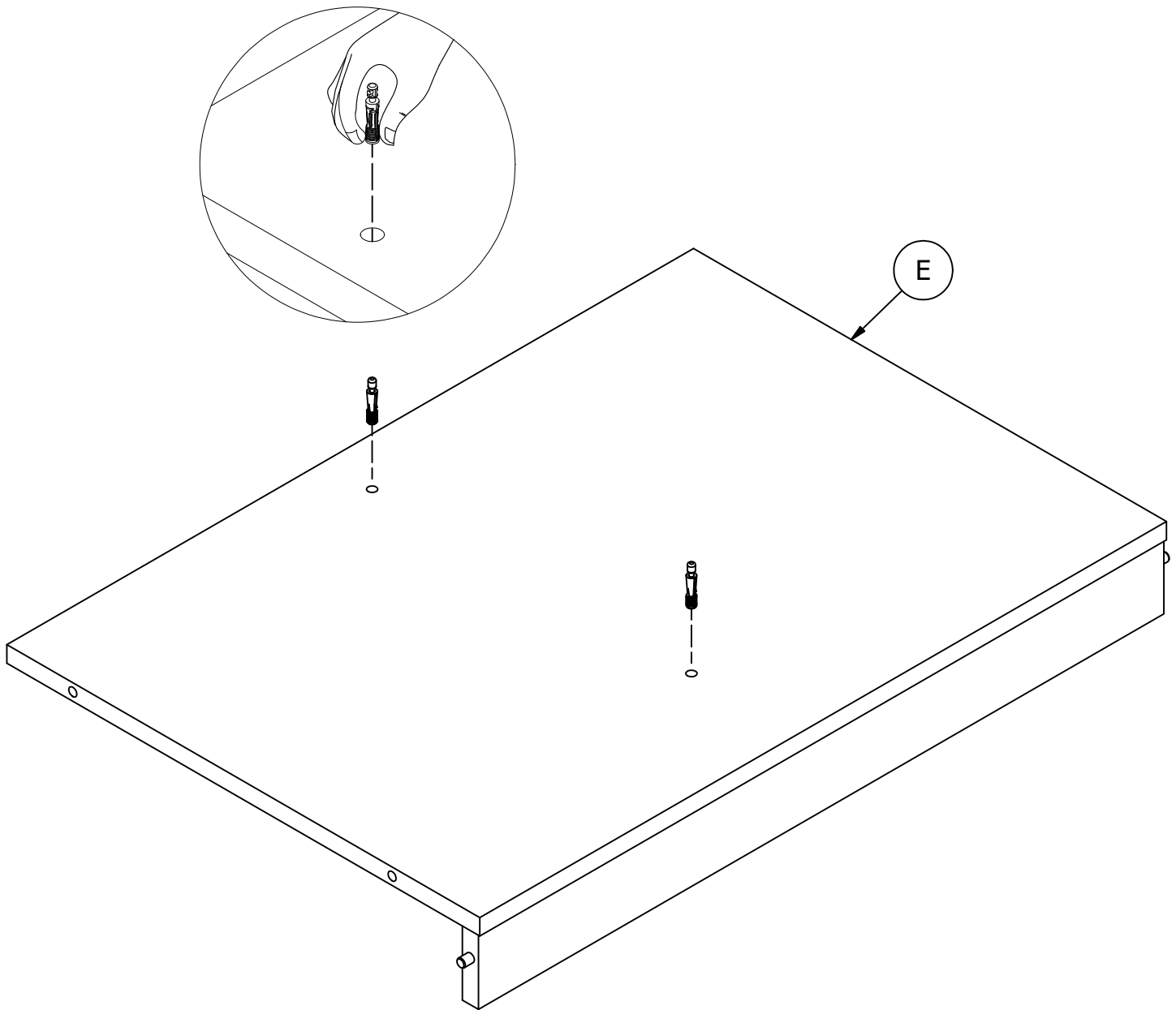
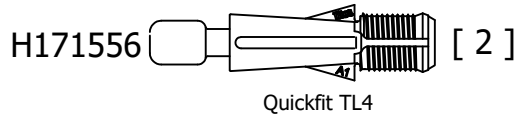
H181468US



[ 2 ]



Have an assembly question or need a replacement part? Just call **1-800-950-4782**, we are here to help.



Have an assembly question or need a replacement part? Just call  
**1-800-950-4782**, we are here to help.

# STEP 19

# Assemble Panels

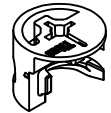
A220321

Scan QR Code to Watch Video on:



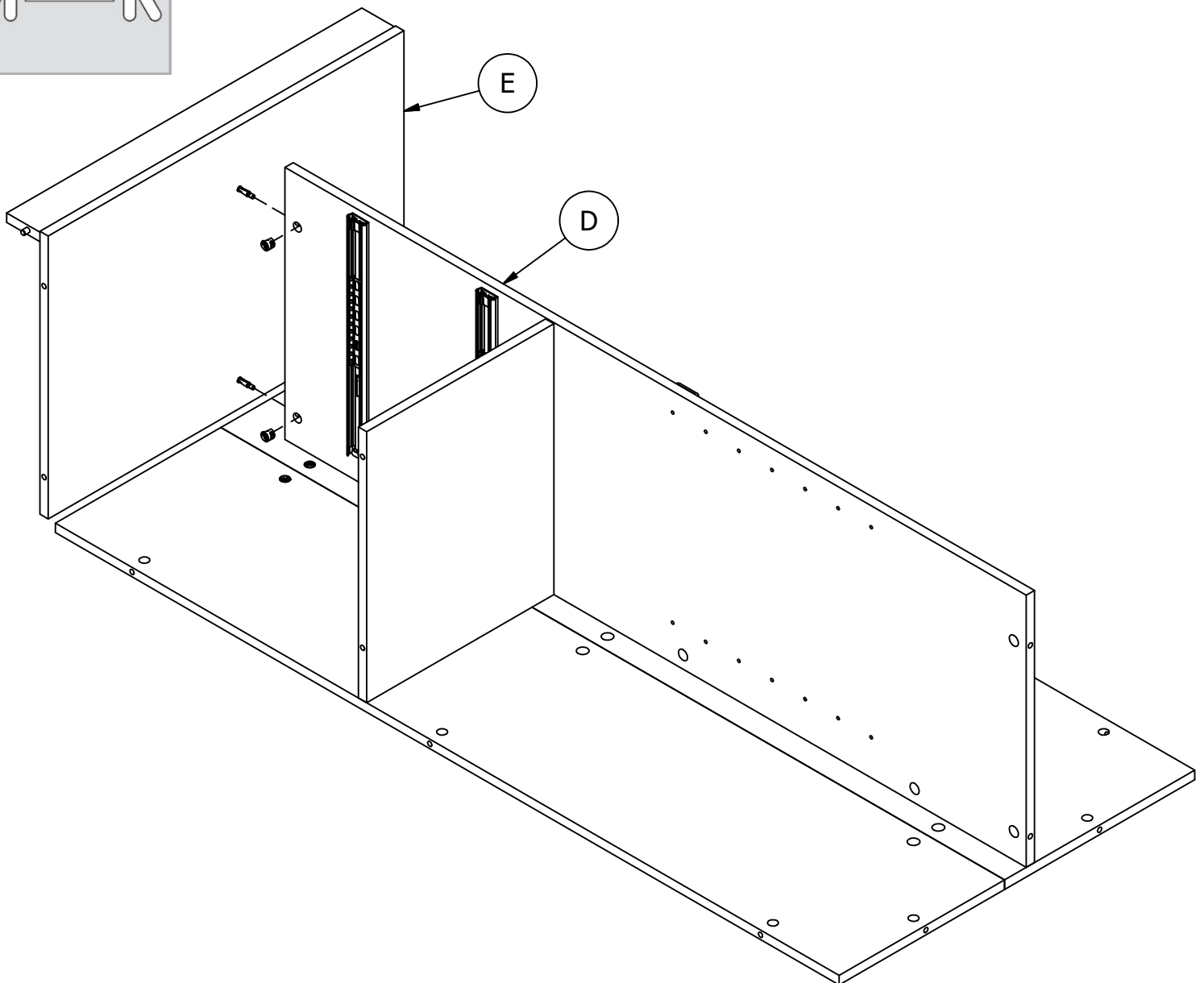
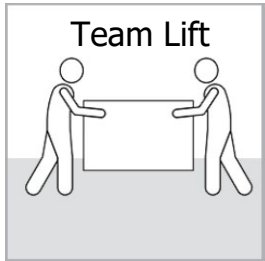
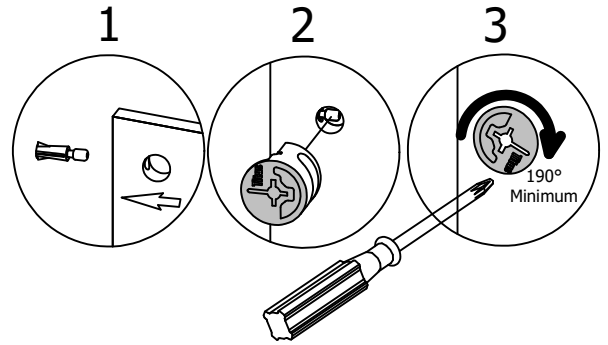
How to Tighten KD Cams

H181468US



KD Cam3000

[ 2 ]



Have an assembly question or need a replacement part? Just call **1-800-950-4782**, we are here to help.

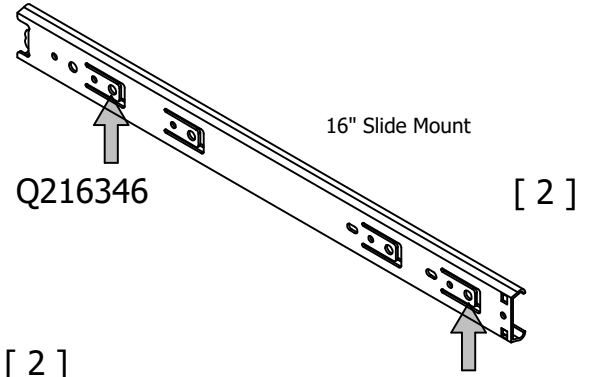
# STEP 20

# Prepare Panel

A220321

H195734 [ 4 ]  
M6.3 X 13MM

H171556 [ 5 ]  
Quickfit TL4

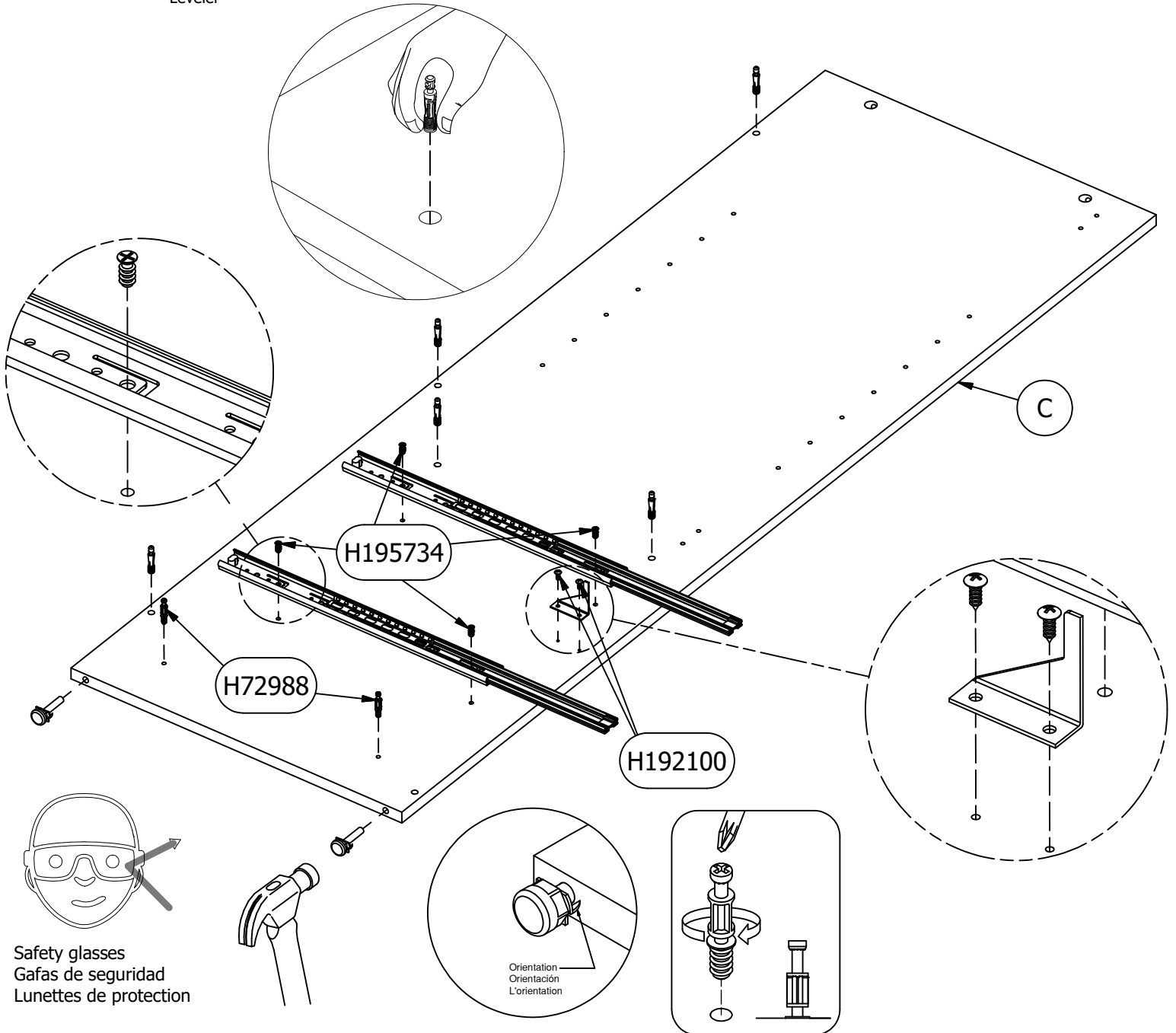


H192100 [ 2 ]  
#8 x 1/2"

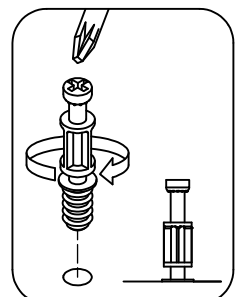
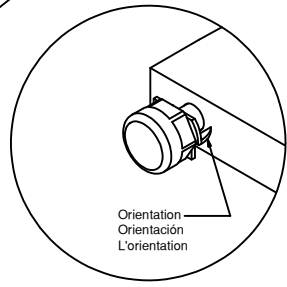
H214977 [ 1 ]  
DWR Bracket

H209601 [ 2 ]  
Leveler

H72988 [ 2 ]  
KD Bolt



Safety glasses  
Gafas de seguridad  
Lunettes de protection



Have an assembly question or need a replacement part? Just call **1-800-950-4782**, we are here to help.

# STEP 21

# Assemble Panels

A220321

Scan QR Code to Watch Video on:



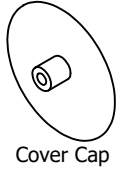
How to Tighten KD Cams

H181468US

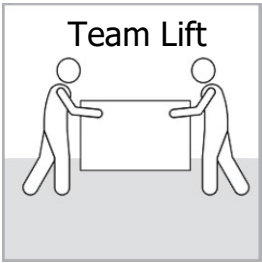
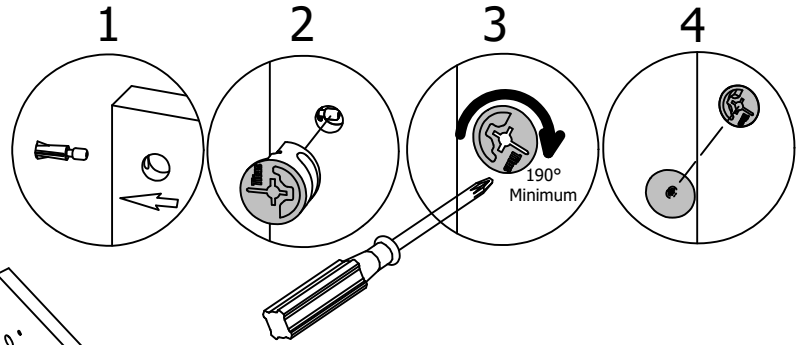


[ 7 ]

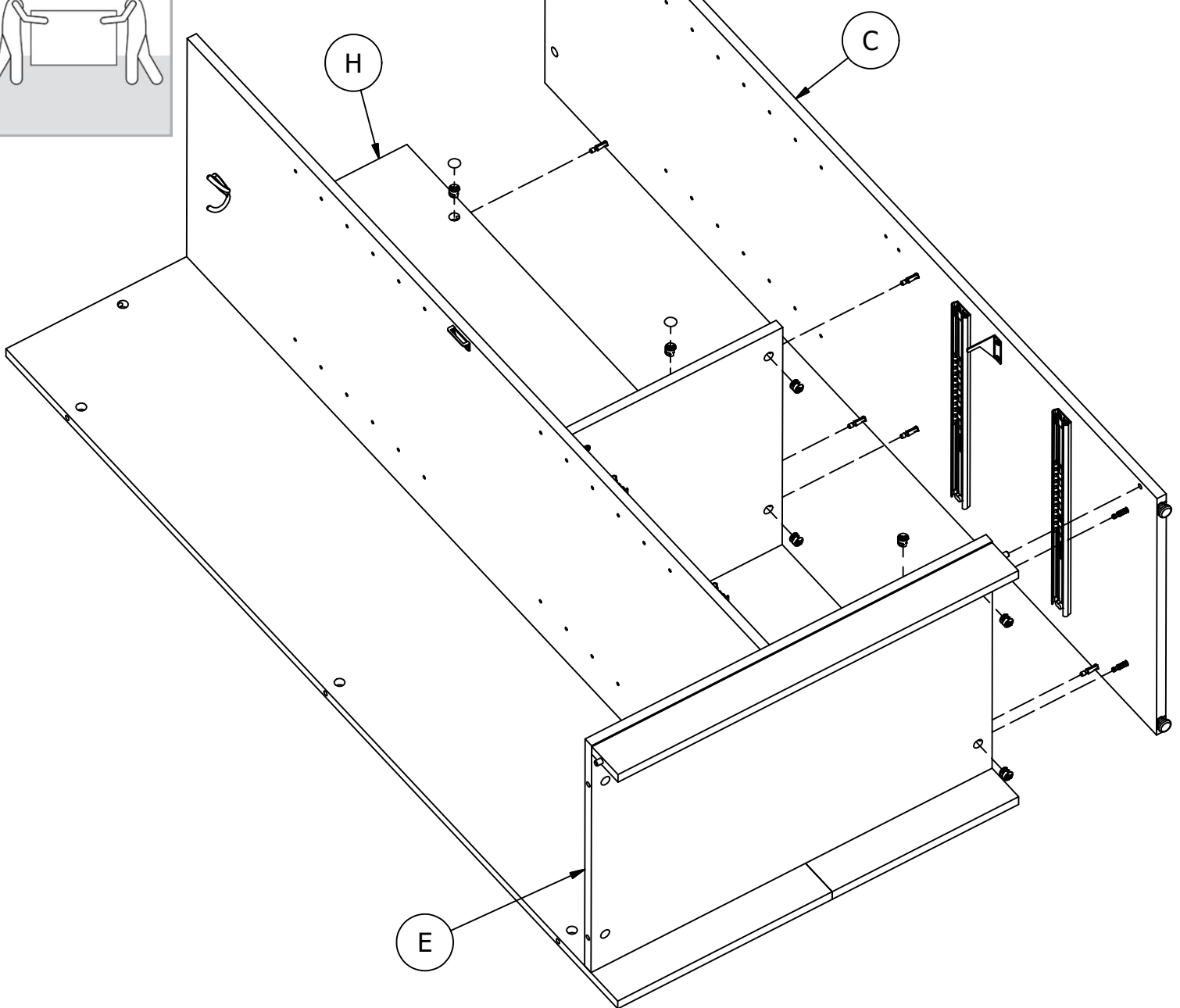
H73619



[ 2 ]



Team Lift

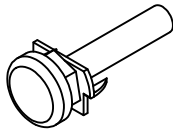
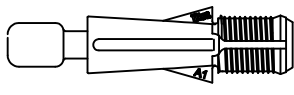
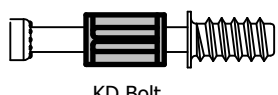


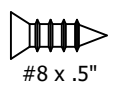
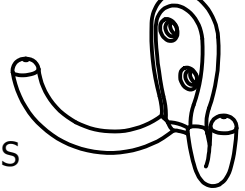
Have an assembly question or need a replacement part? Just call **1-800-950-4782**, we are here to help.

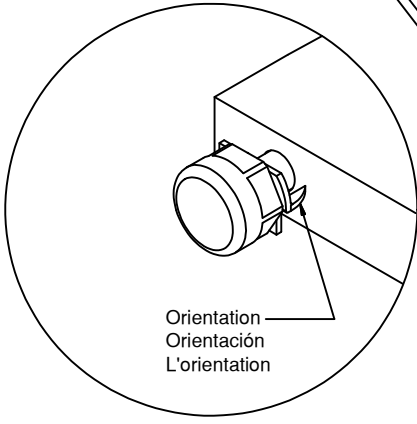
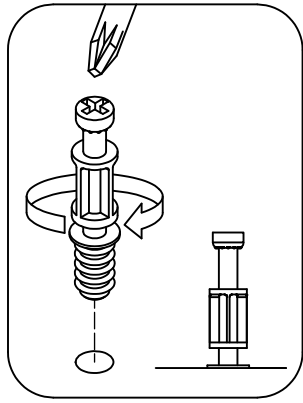
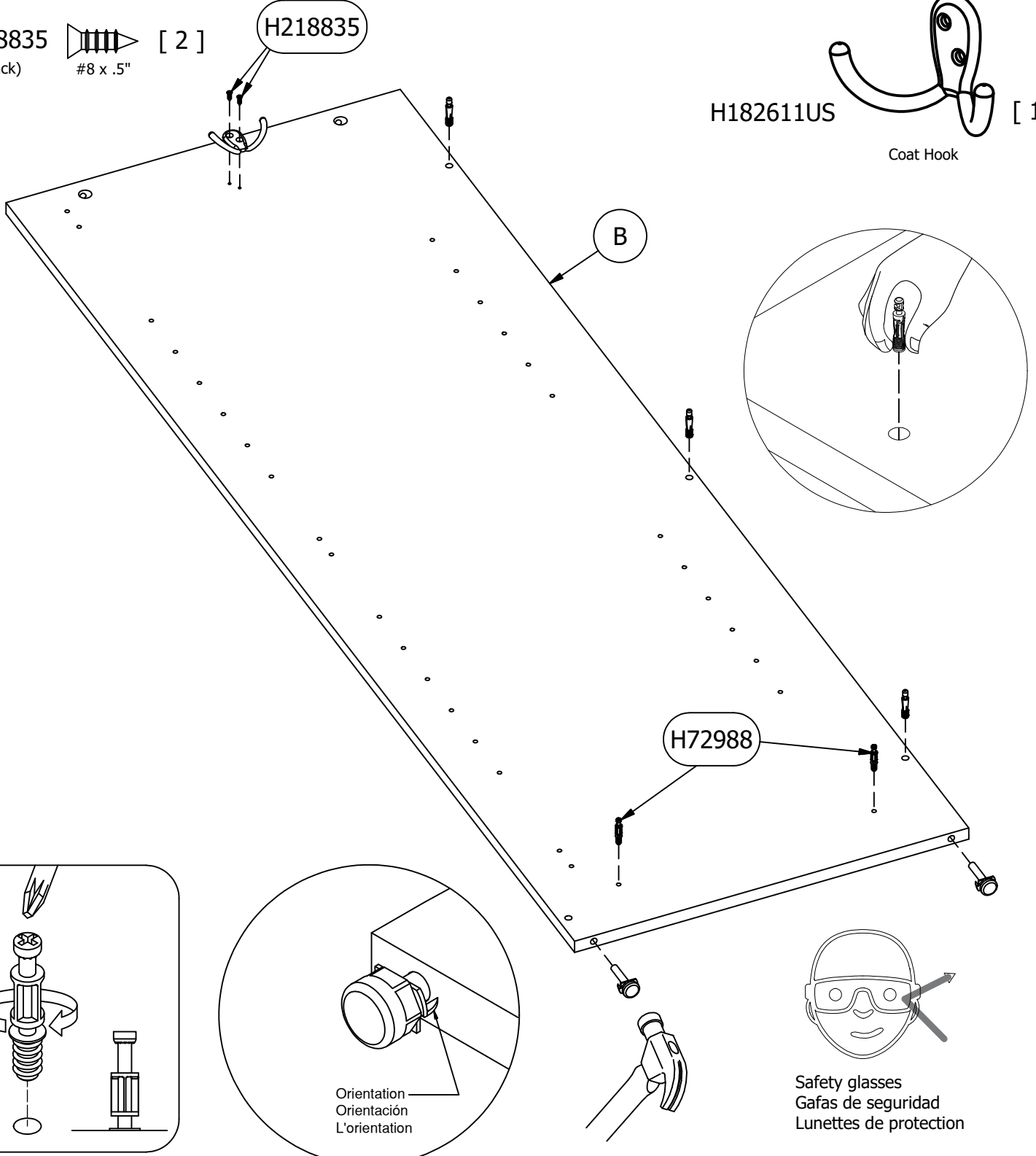
# STEP 22

# Prepare Panel

A220321

- H209601 [ 2 ]  Leveler
- H171556 [ 3 ]  Quickfit TL4
- H72988 [ 2 ]  KD Bolt

- H218835 (Black) [ 2 ]  #8 x .5"
- H182611US [ 1 ]  Coat Hook



Have an assembly question or need a replacement part? Just call **1-800-950-4782**, we are here to help.

# STEP 23

# Assemble Panels

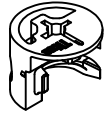
A220321

Scan QR Code to Watch Video on:



How to Tighten KD Cams

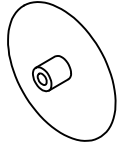
H181468US



KD Cam3000

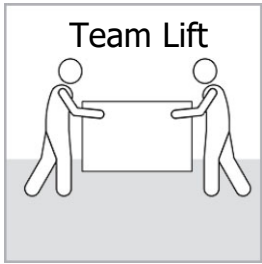
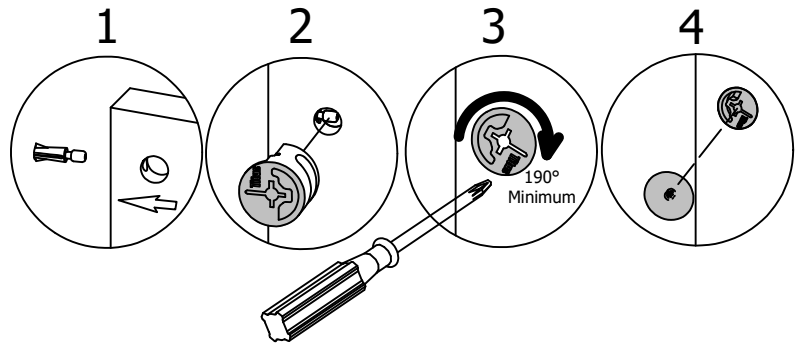
[ 5 ]

H73619

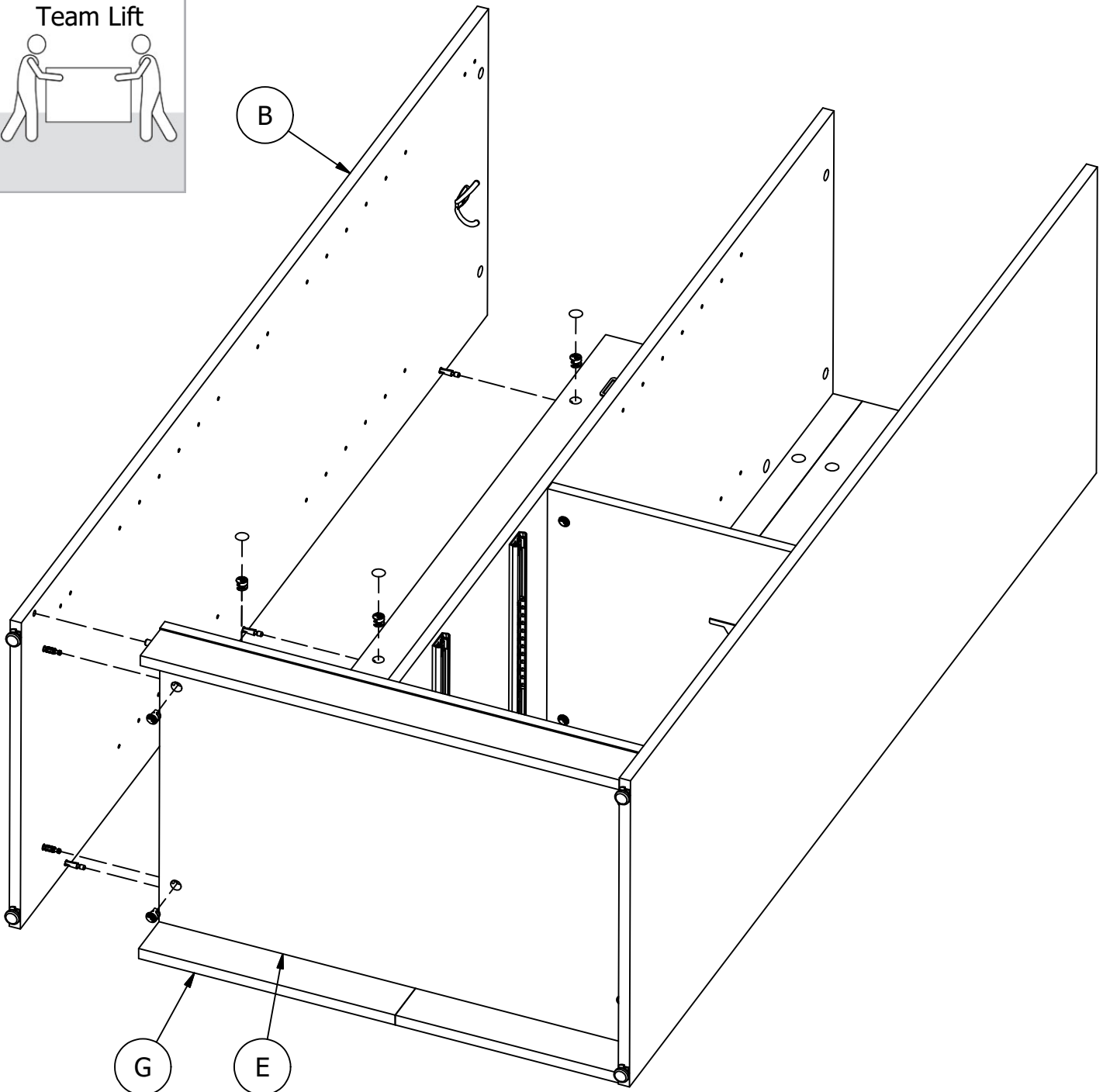


Cover Cap

[ 3 ]



Team Lift




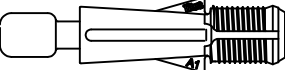
Have an assembly question or need a replacement part? Just call **1-800-950-4782**, we are here to help.

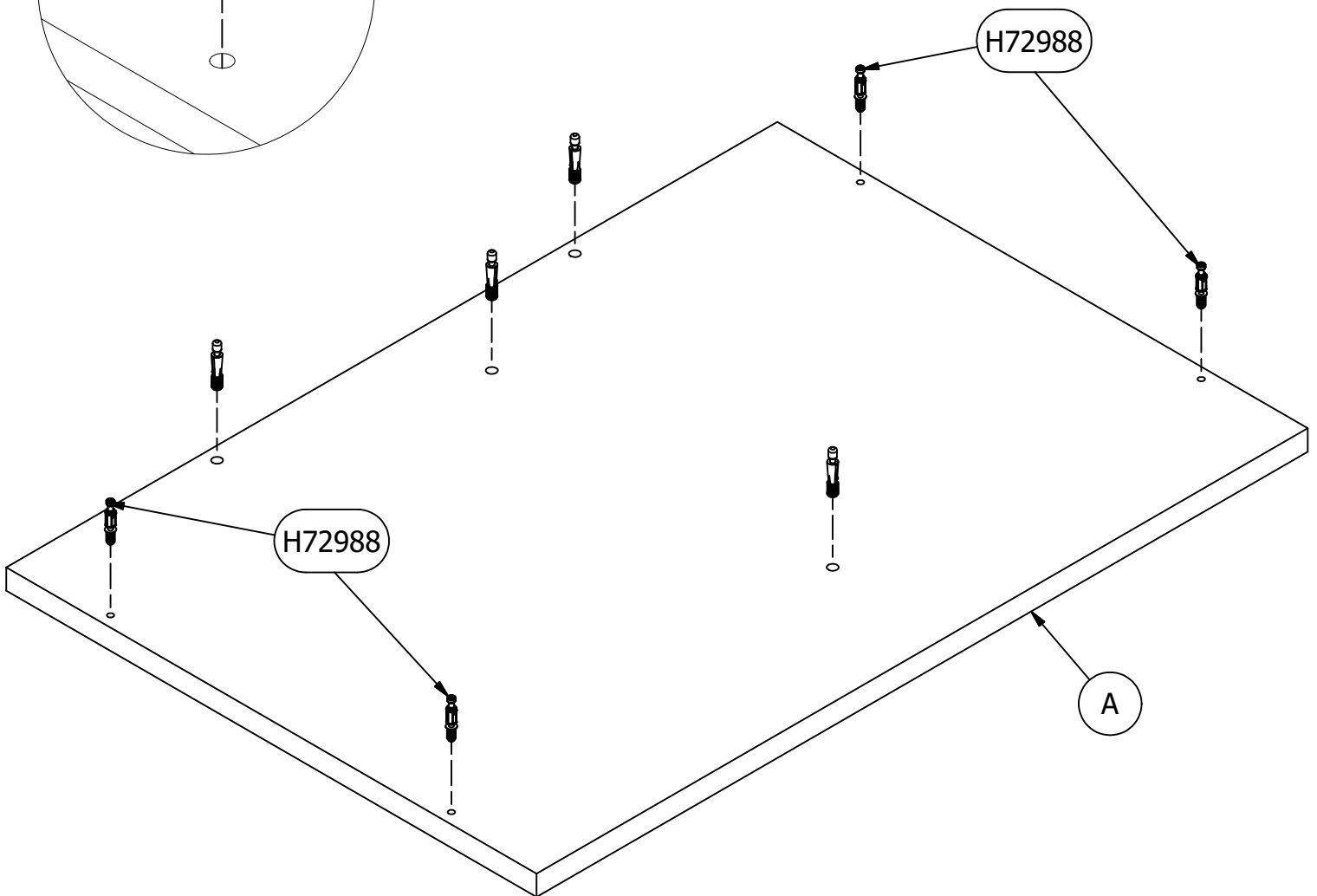
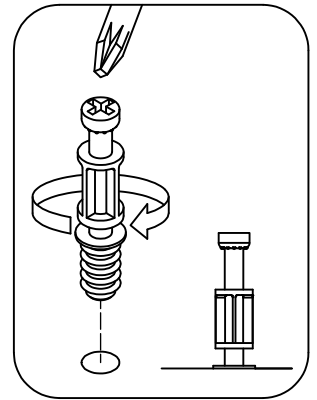
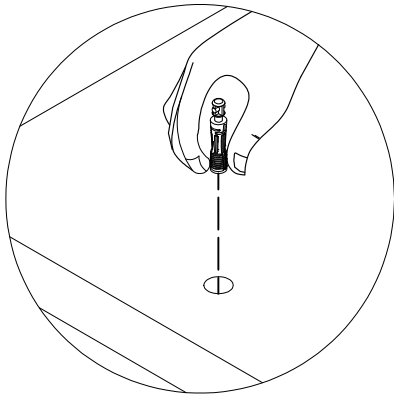
# STEP 24

# Prepare Panel

A220321

H72988  [ 4 ]  
KD Bolt

H171556  [ 4 ]  
Quickfit TL4



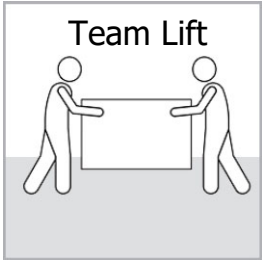
Have an assembly question or need a replacement part? Just call  
**1-800-950-4782**, we are here to help.



Scan QR Code to Watch Video on:



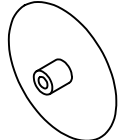
How to Tighten KD Cams



H181468US

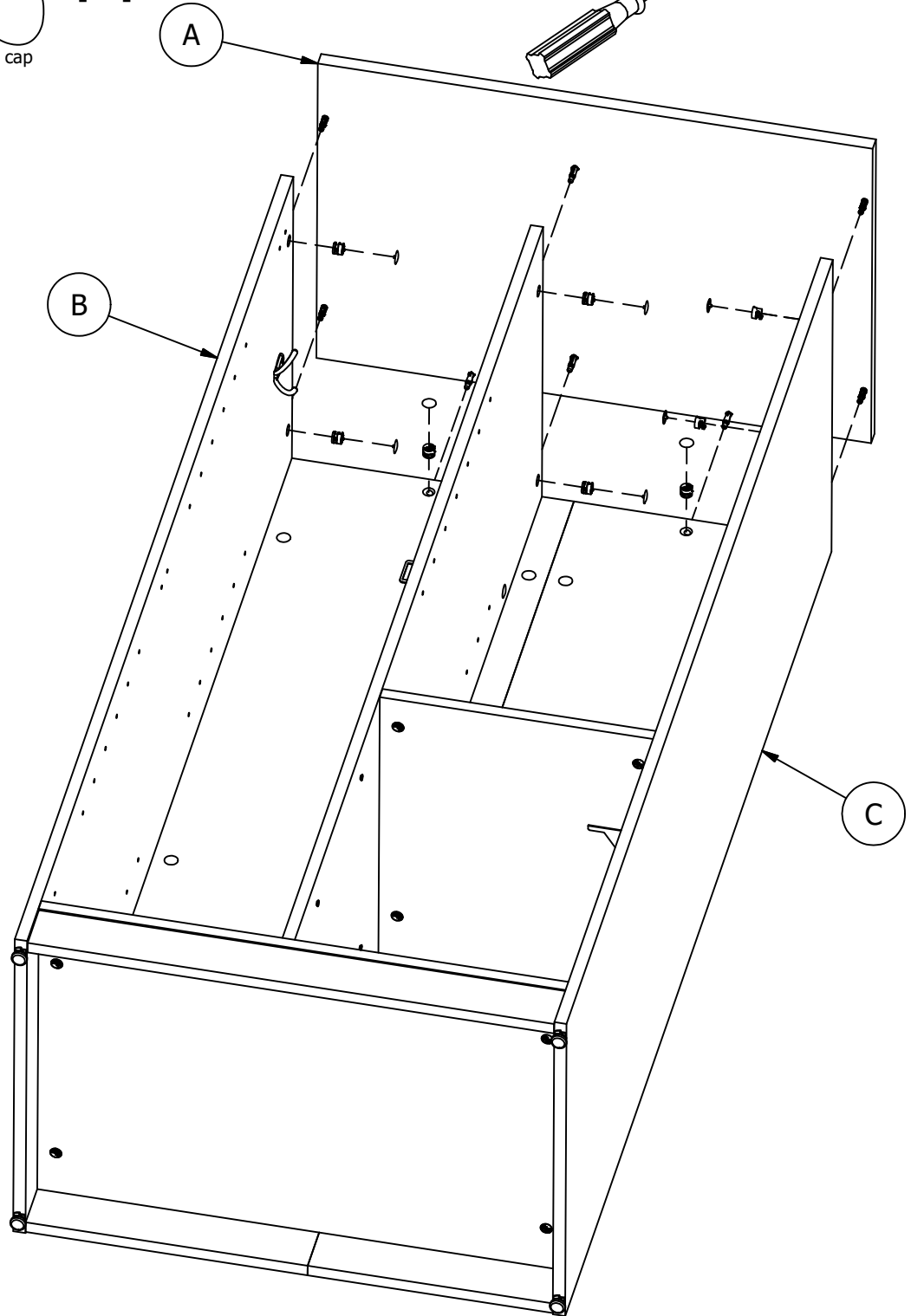
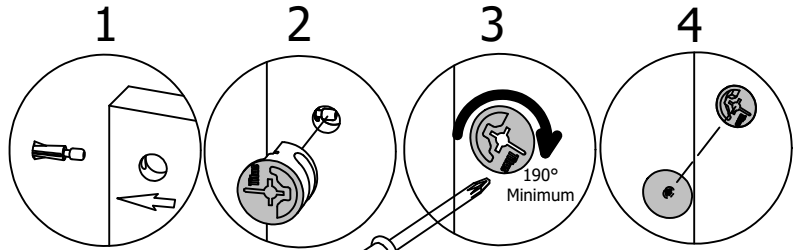


[ 8 ]



[ 8 ]

Cover cap



Have an assembly question or need a replacement part? Just call **1-800-950-4782**, we are here to help.

Secure unit to the wall with a tip-over restraint.

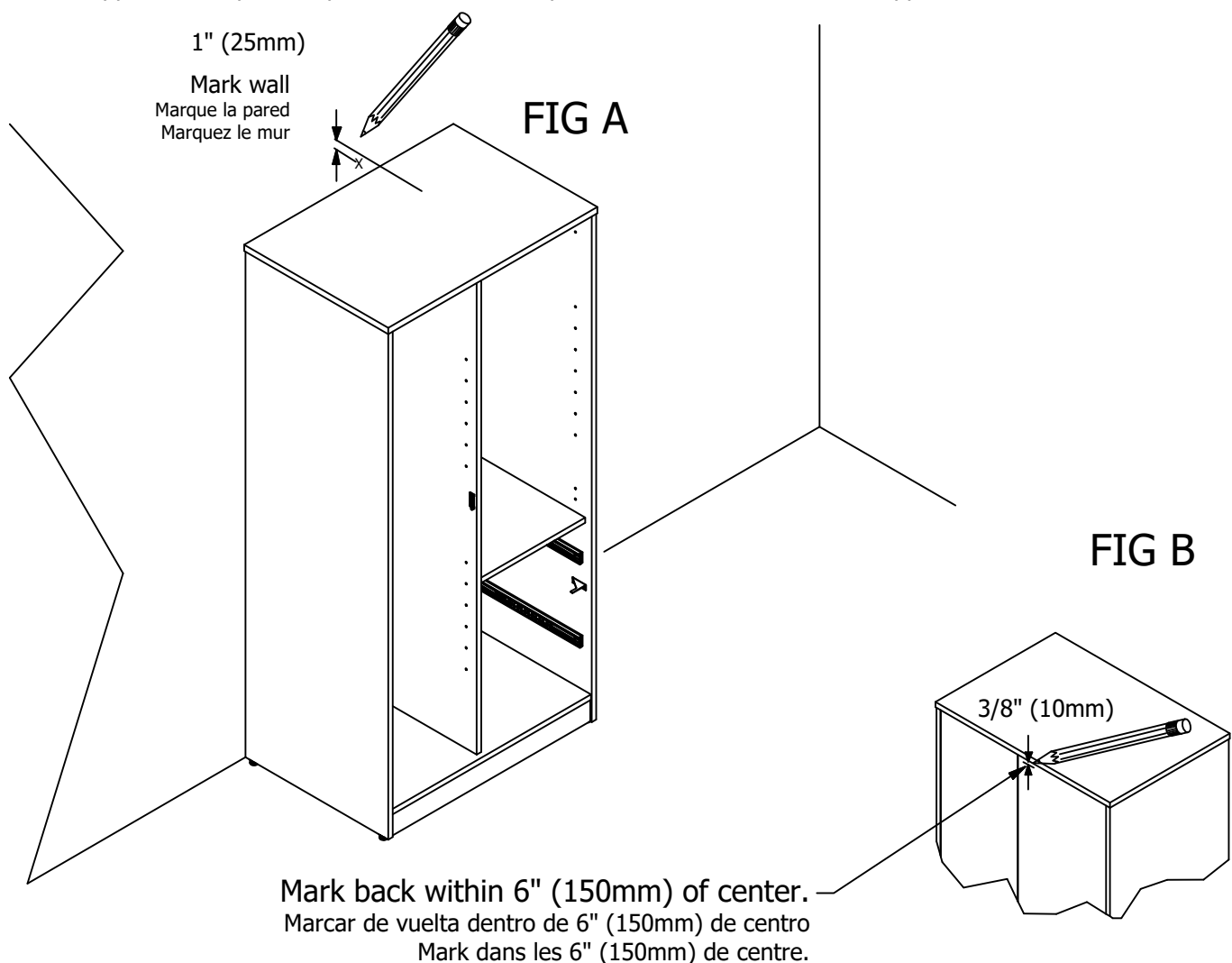
Unidad de seguro a la pared con un sistema de retención de un vuelco.

Fixer l'unité au mur avec un dispositif de retenue renversement.

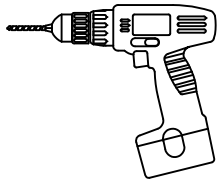
1. Place unit in desired location.
2. Locate wall stud nearest unit center. **FIG A**
3. On wall, mark center of stud location 1" below top of unit. **FIG A**
4. If a wall stud cannot be located mark hollow wall at unit center. **FIG A**
5. On back of unit, mark corresponding location 3/8" below top of unit. **FIG B**

1. Coloque la unidad en el lugar deseado.
2. Localice pie derecho de pared centro de unidad más próxima.
3. En la pared del, marque el centro de la ubicación del montante 1 "abajo la parte superior de la unidad.
4. Si un poste de la pared no se puede localizar marcar pared hueca en el centro de la unidad.
5. En el dorso de la unidad, marque la ubicación 3/8 correspondiente abajo la parte superior de la unidad.

1. Placez l'unité à l'endroit désiré.
2. Localiser centre d'unité la plus proche de la paroi Stud.
3. Sur le mur, centre de emplacement du montant 1 "ci-dessous dessus de l'appareil de la marque.
4. Si un montant de mur ne peut pas être situé marquer mur creux au centre de l'unité.
5. Le dos de l'appareil, marquer l'emplacement 3/8 correspondant ci-dessous dessus de l'appareil.



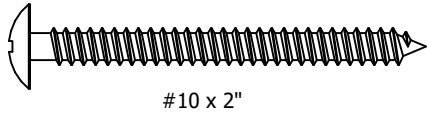
Have an assembly question or need a replacement part? Just call  
**1-800-950-4782**, we are here to help.



## WALL STUD ATTACHMENT

Drill 1/8" hole 2" deep at mark on wall.  
 Taladro 1/8 "agujero 2" de profundidad en la marca en la pared.  
 Percer 1/8 "trou de 2" de profondeur à la marque sur le mur.

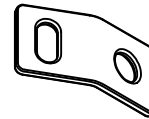
H181434



#10 x 2"

[ 1 ]

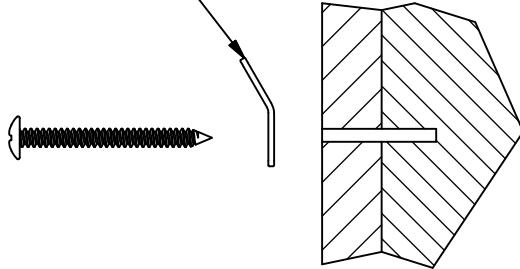
H181412



[ 1 ]

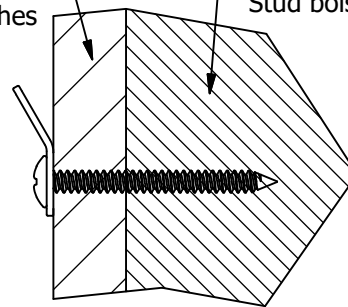
Connecting Plate

H181412

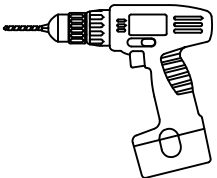


Drywall  
 Paneles de yeso  
 cloisons sèches

Wood stud  
 Montante de madera  
 Stud bois

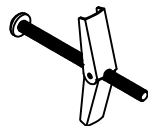


## HOLLOW WALL ATTACHMENT



Drill 1/2" hole 1" deep at mark on wall.  
 Taladro 1/2 "agujero 1" de profundidad en la marca en la pared.  
 Percer 1/2 "trou de 1" de profondeur à la marque sur le mur.

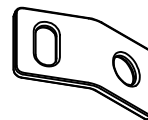
H181419



Toggle Bolt

[ 1 ]

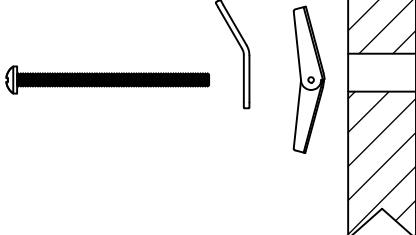
H181412



[ 1 ]

Connecting Plate

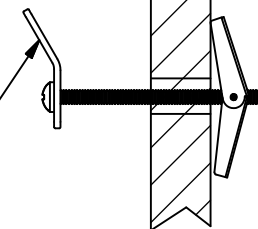
H181412



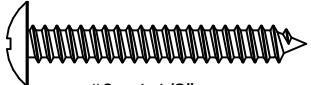
Drywall  
 Paneles de yeso  
 cloisons sèches


Pull while tightening  
 Jale mientras aprieta  
 Tirer tout en resserrant

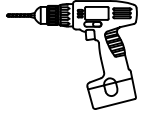
Drywall  
 Paneles de yeso  
 cloisons sèches



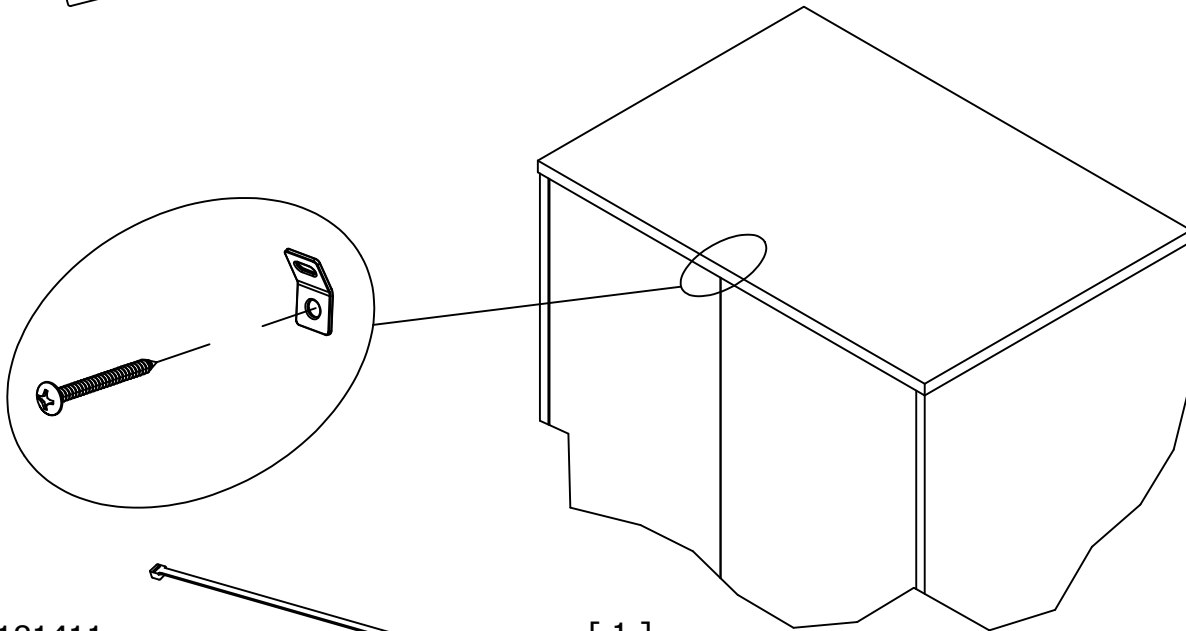
Have an assembly question or need a replacement part? Just call  
**1-800-950-4782**, we are here to help.

H107572  [ 1 ]  
#8 x 1-1/2"

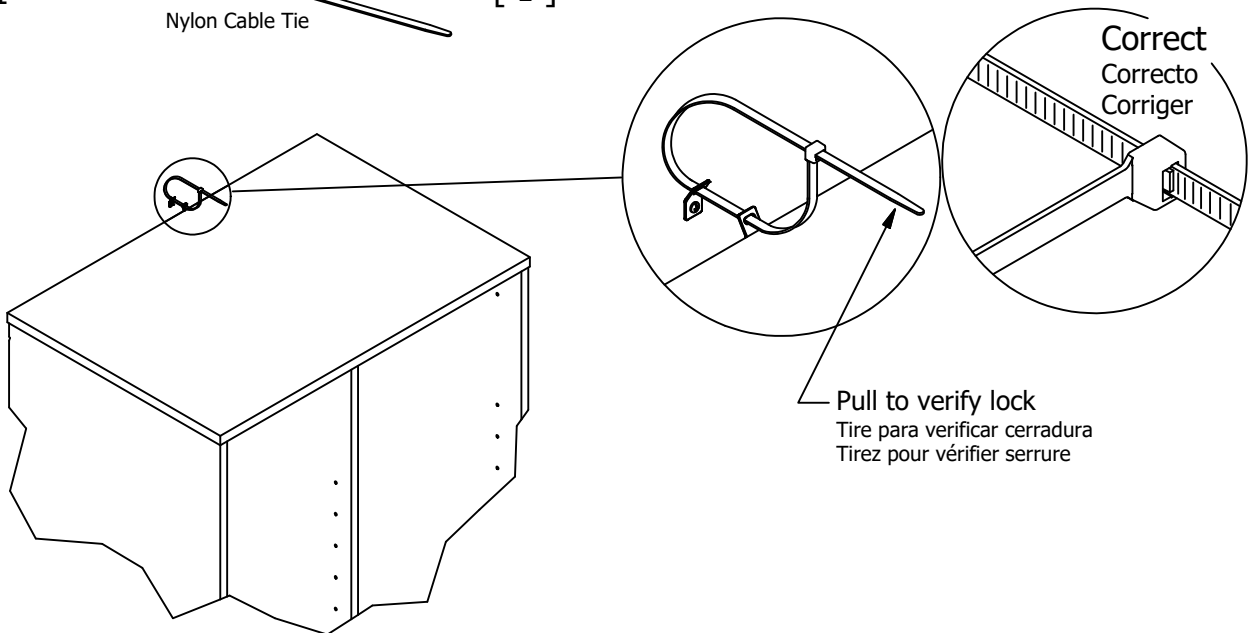
H181412  [ 1 ]  
Connecting Plate



Drill 1/8" hole 1" deep at mark on unit.  
Taladro 1/8 "agujero de 1" de profundidad en la marca de la unidad.  
Perçer 1/8 "trou 1" de profondeur à la marque sur l'unité.



H181411  [ 1 ]  
Nylon Cable Tie



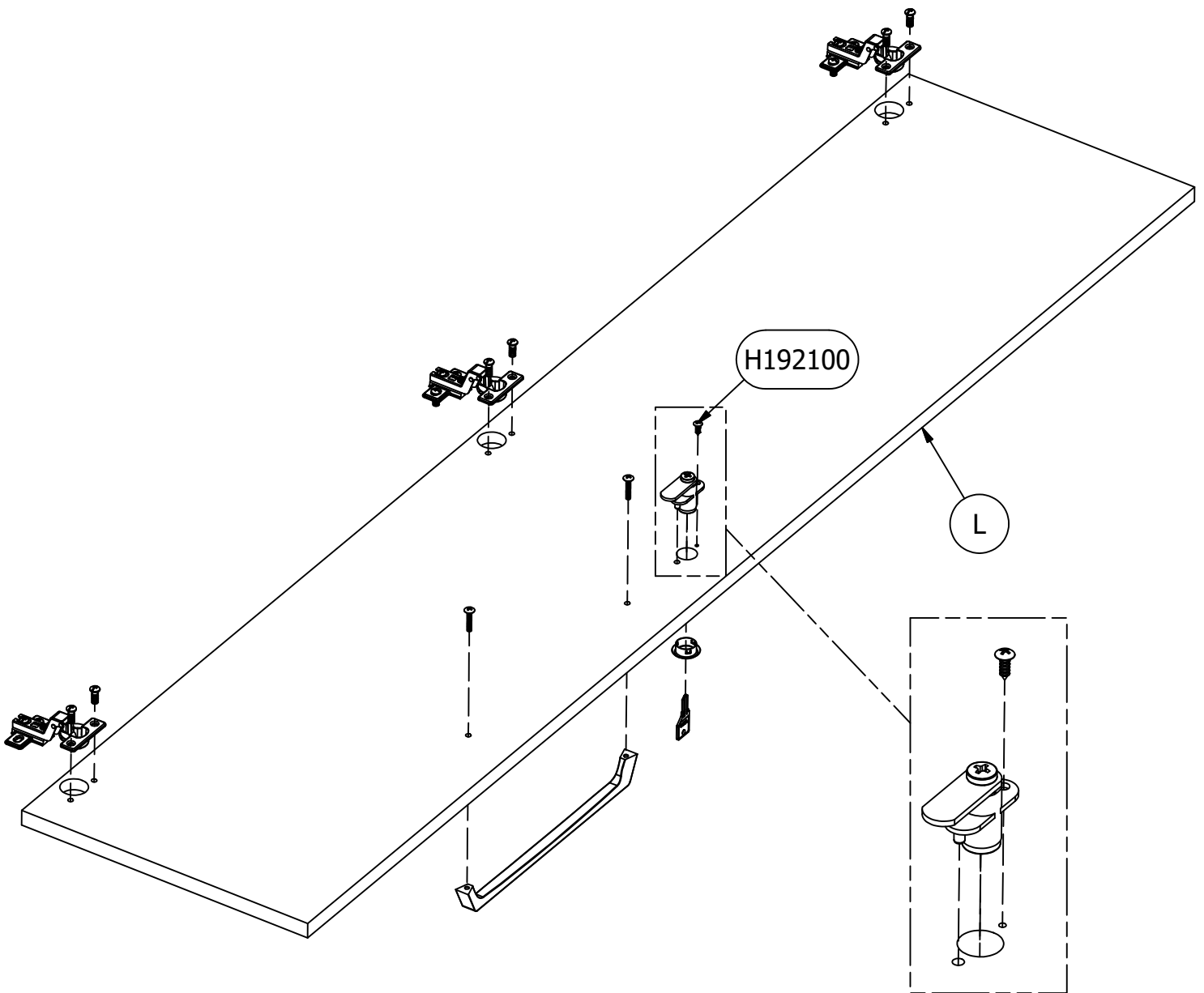
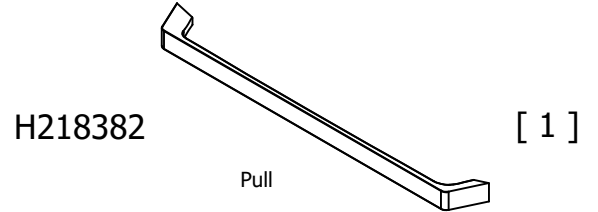
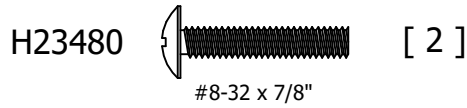
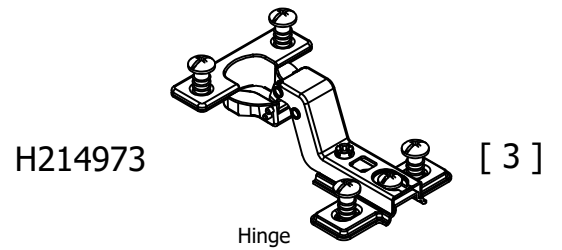
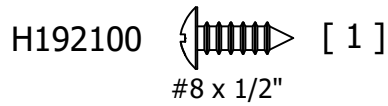
Use replacement cable tie with minimum breaking strength of 120lbs.  
Utilice reemplazo empate Cable con resistencia a la rotura mínima de 120 libras.  
Utilisez remplacement Attache de câble avec une force de rupture minimale de 120 lbs.

Have an assembly question or need a replacement part? Just call  
**1-800-950-4782**, we are here to help.

# STEP 29

# Prepare Panel

A220321



Have an assembly question or need a replacement part? Just call  
**1-800-950-4782**, we are here to help.

# STEP 30

# Attach Door

A220321

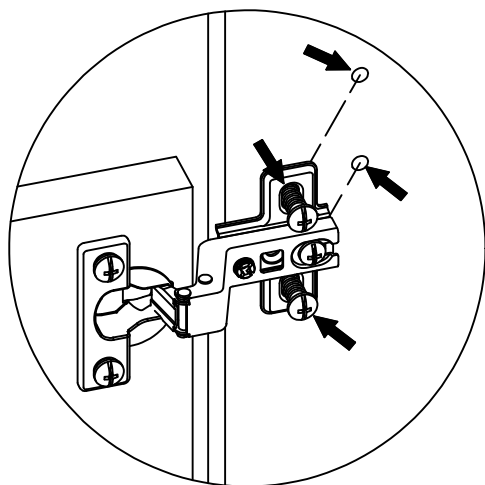


H215406

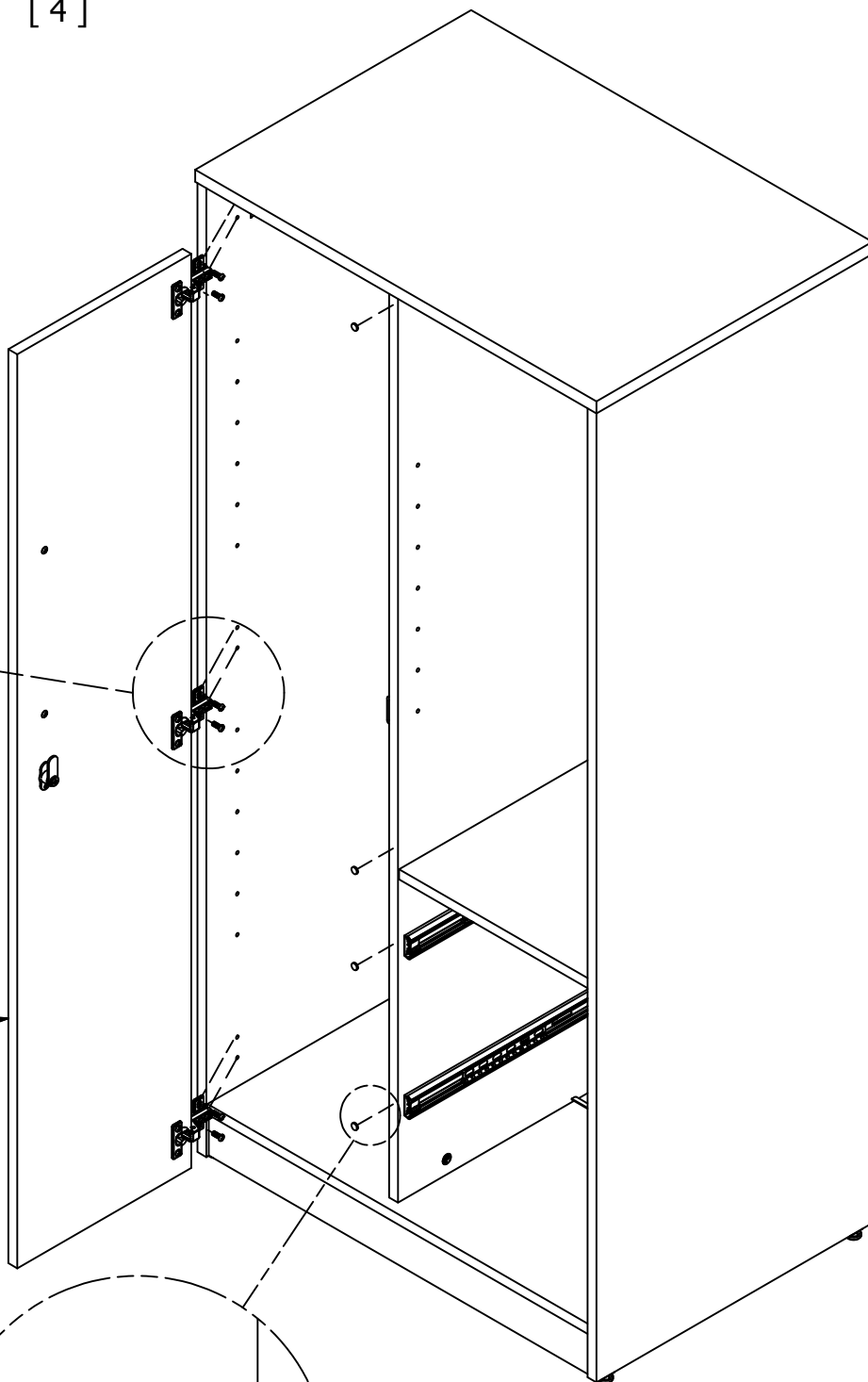
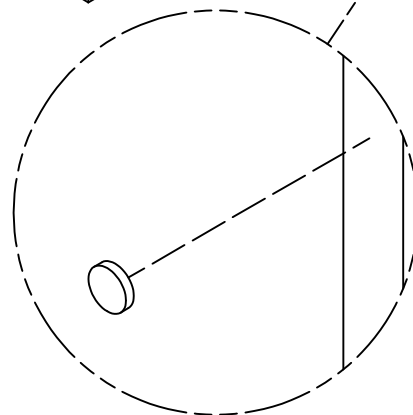


[ 4 ]

Bumper



L

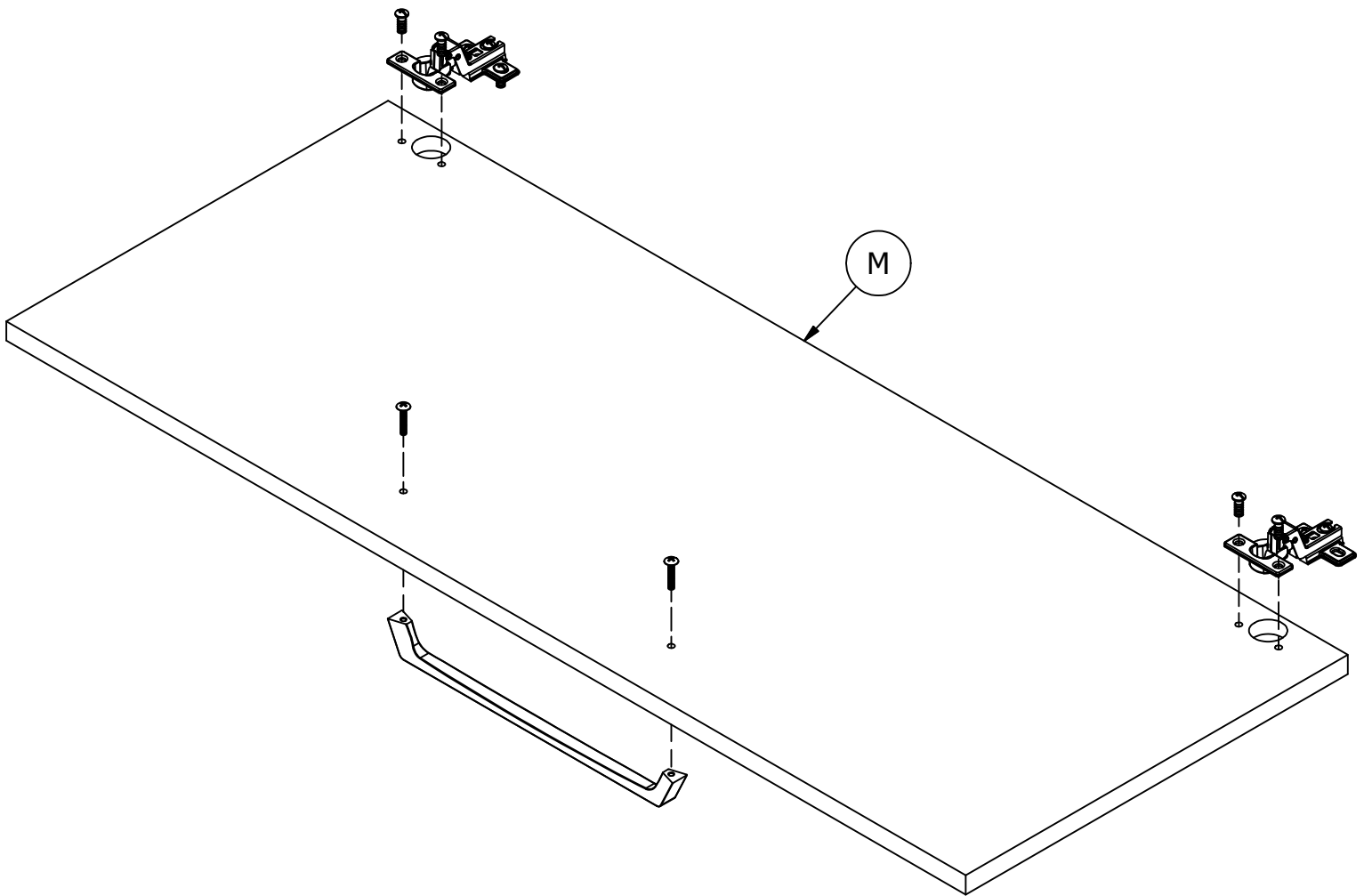
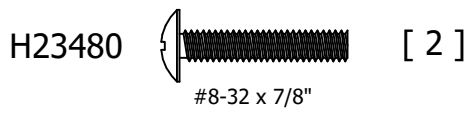
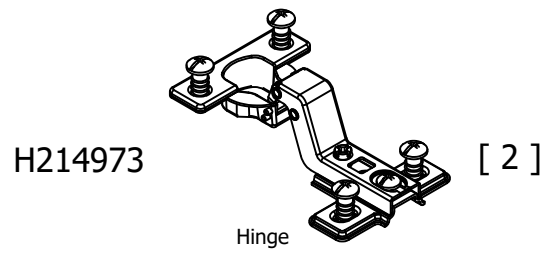
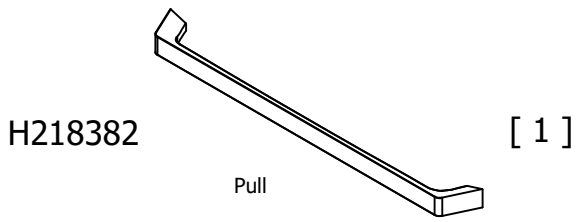


Have an assembly question or need a replacement part? Just call **1-800-950-4782**, we are here to help.

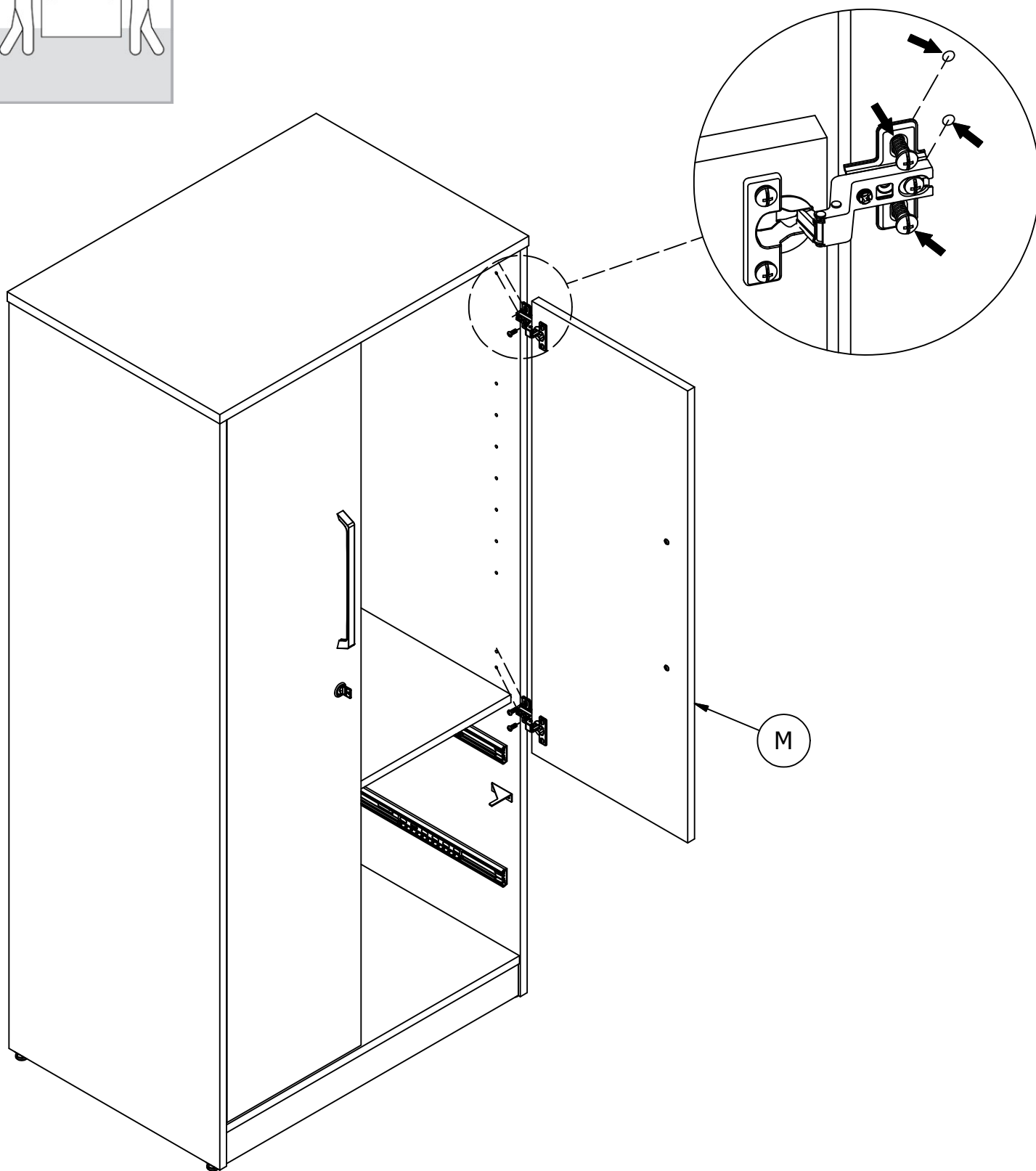
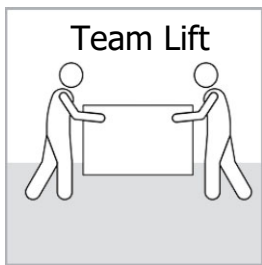
# STEP 31

# Prepare Panel

A220321

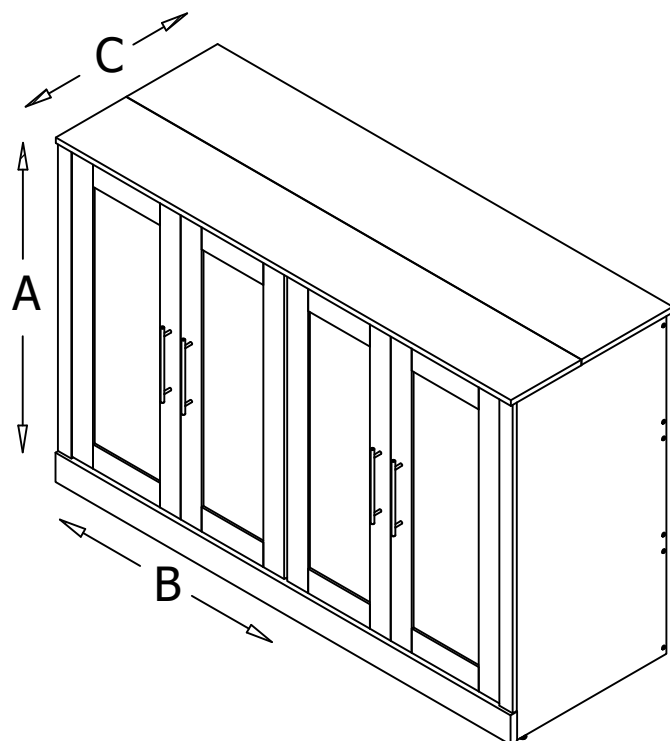
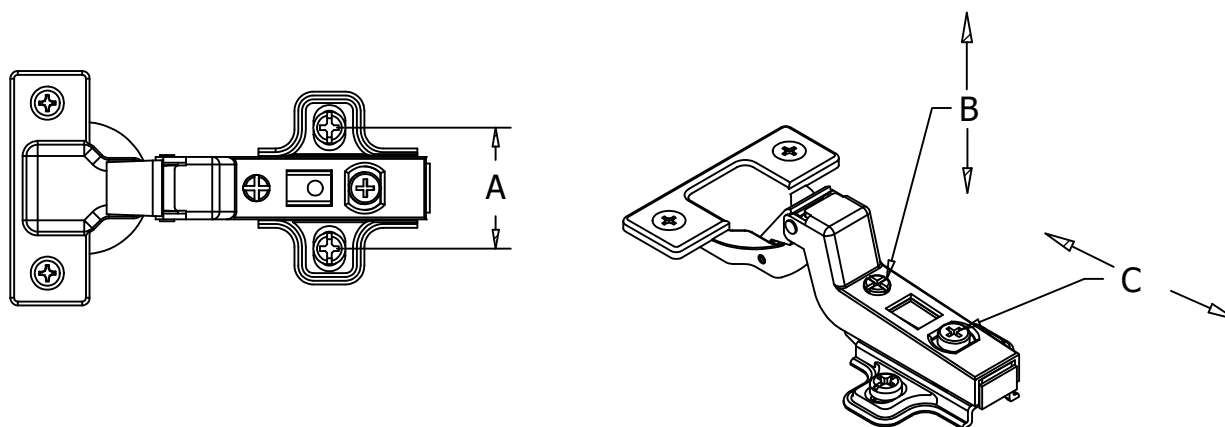


Have an assembly question or need a replacement part? Just call  
**1-800-950-4782**, we are here to help.

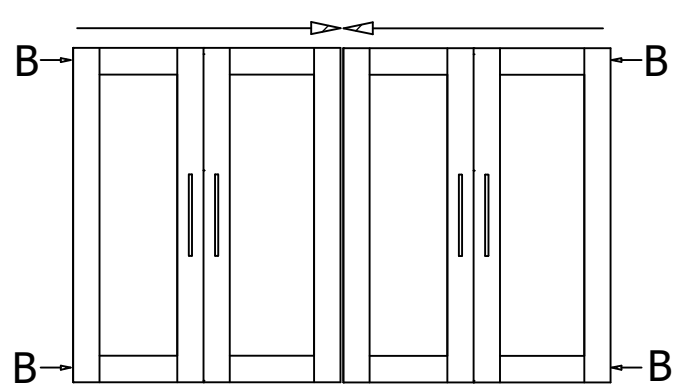
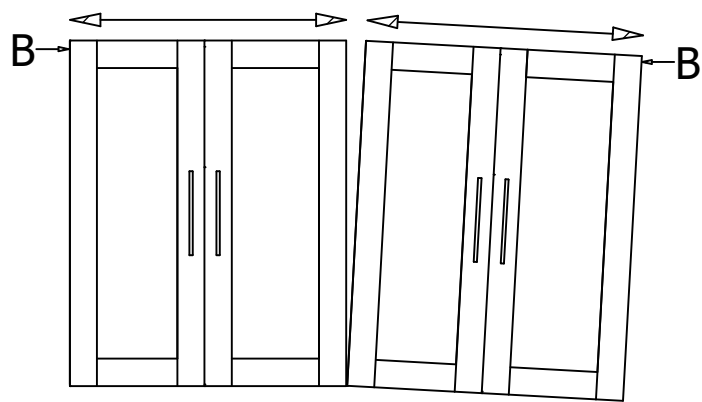


Have an assembly question or need a replacement part? Just call  
**1-800-950-4782**, we are here to help.

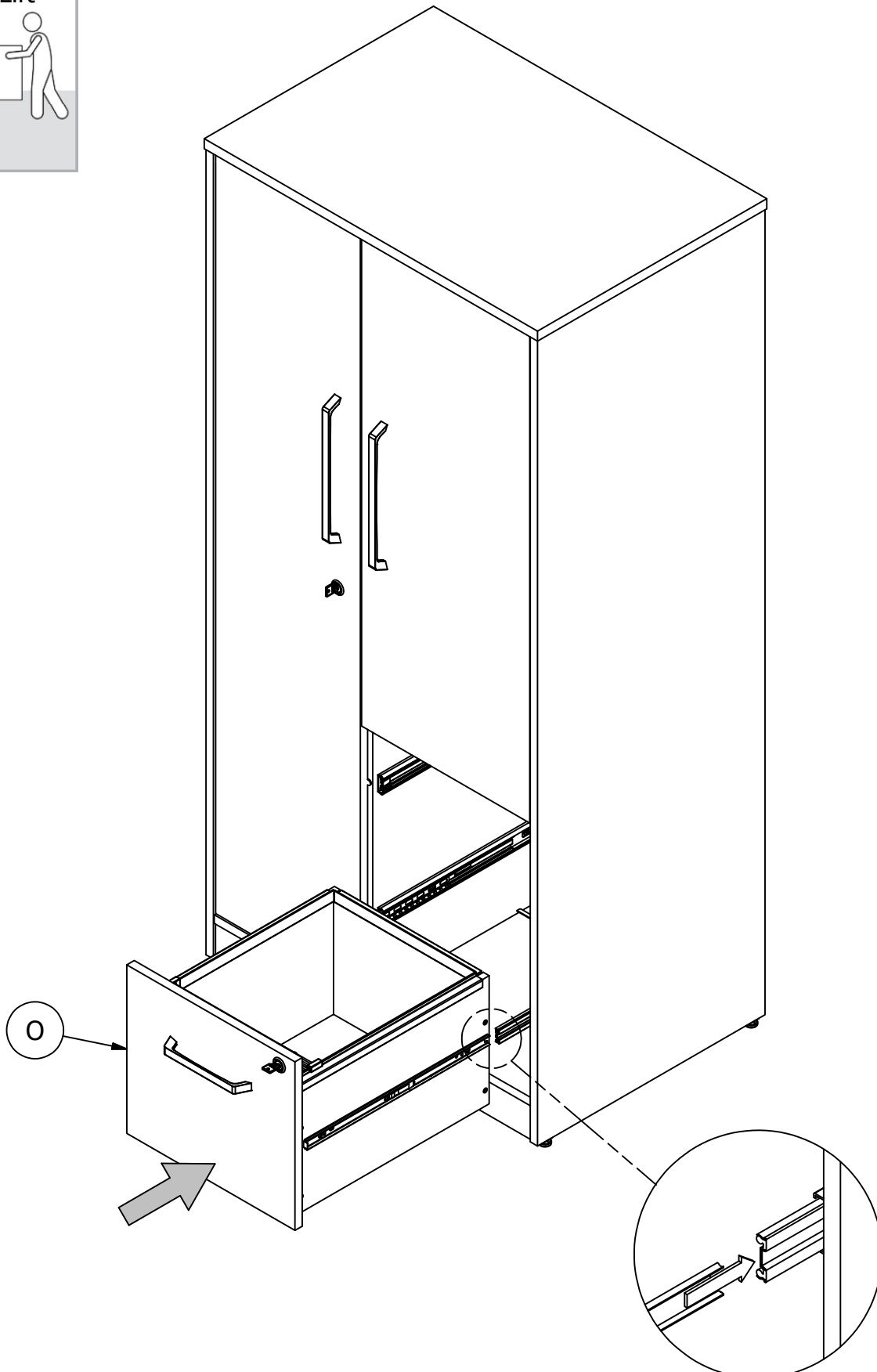
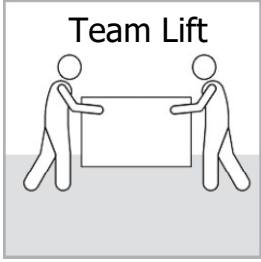




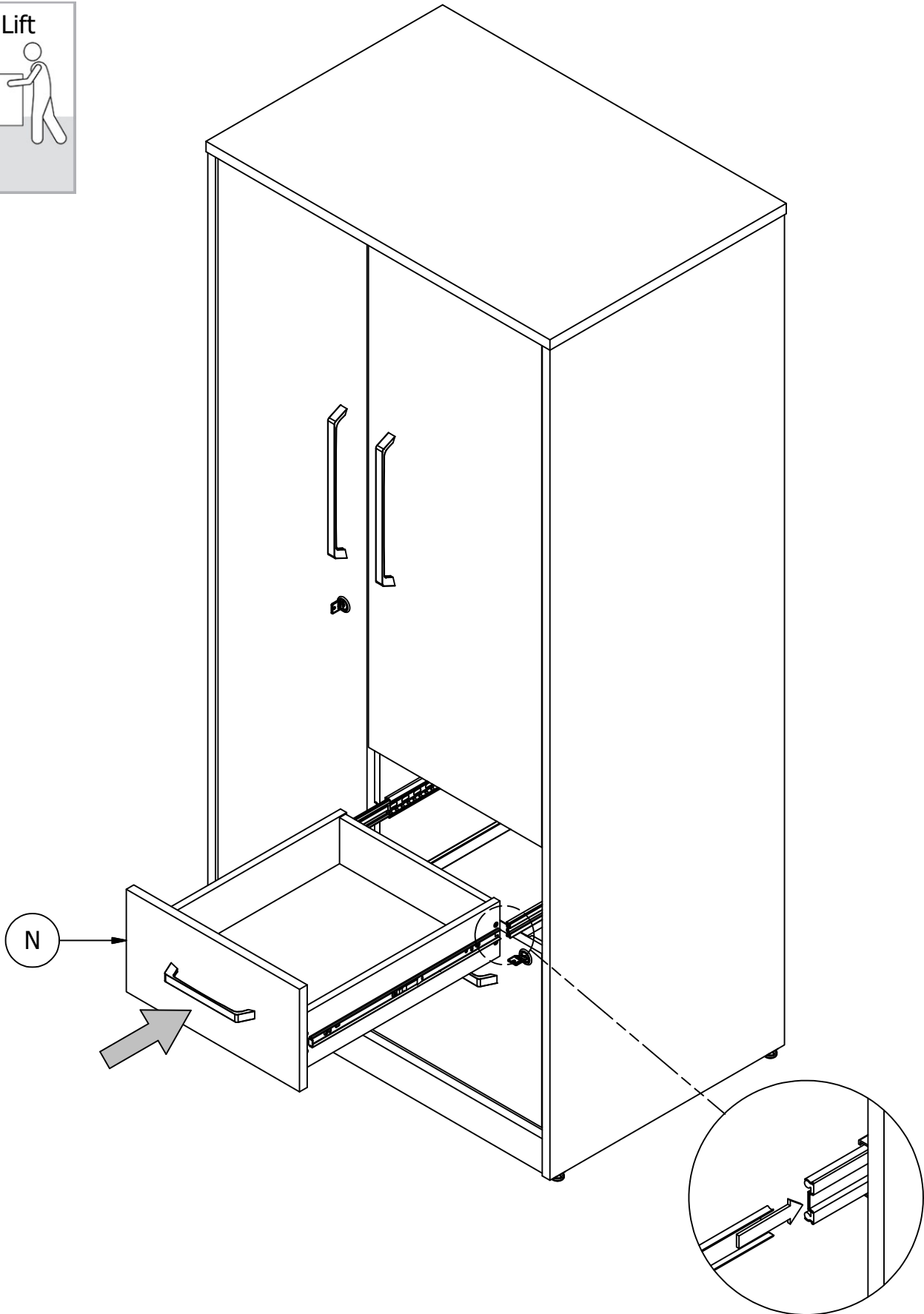
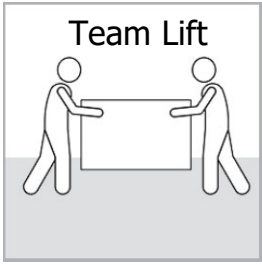
Door Adjustment  
Ajustement des portes  
Ajuste de la puerta



Have an assembly question or need a replacement part? Just call  
**1-800-950-4782**, we are here to help.

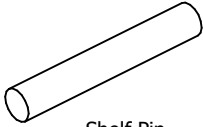


Have an assembly question or need a replacement part? Just call **1-800-950-4782**, we are here to help.



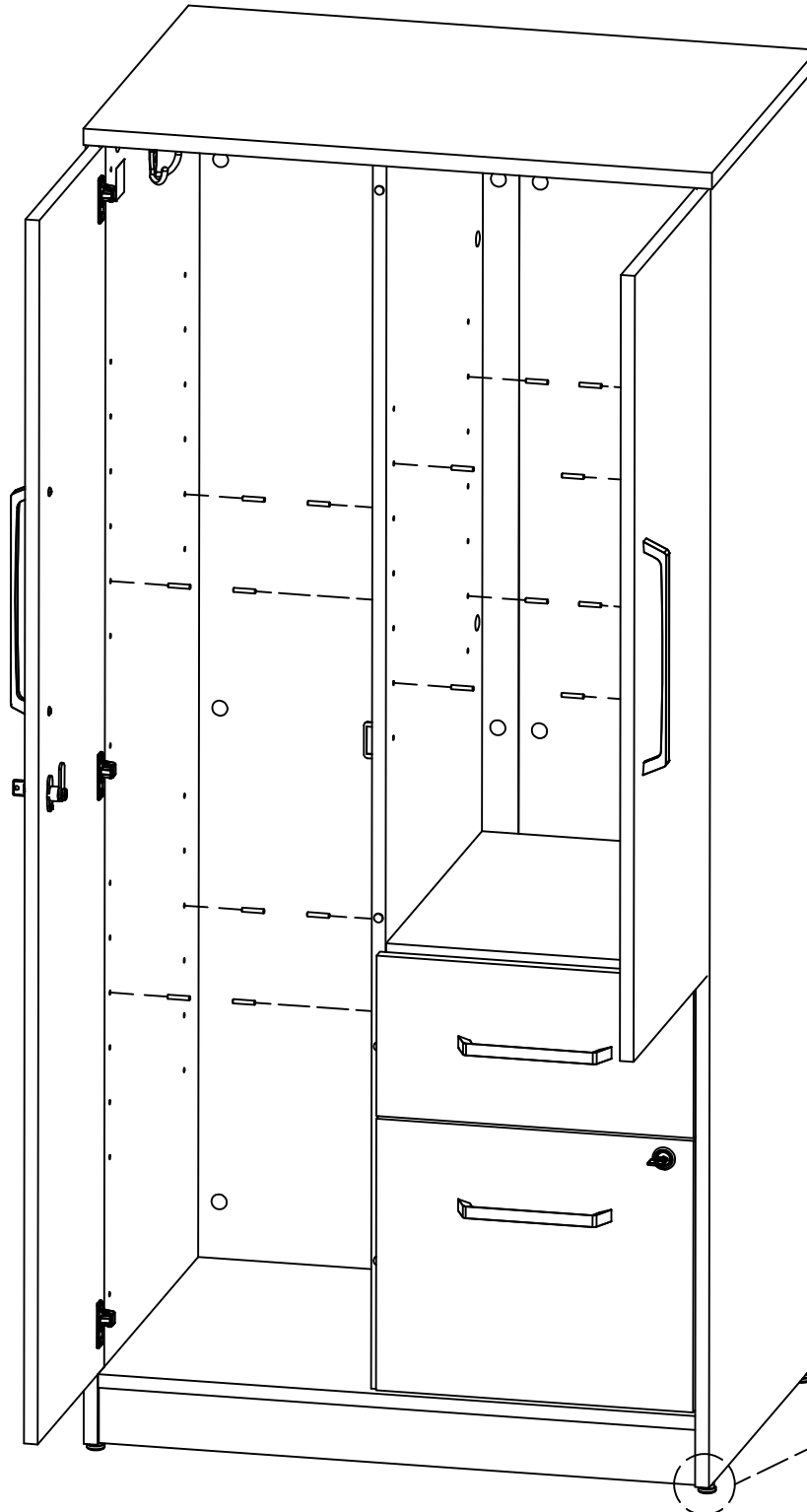
Have an assembly question or need a replacement part? Just call **1-800-950-4782**, we are here to help.

H23604

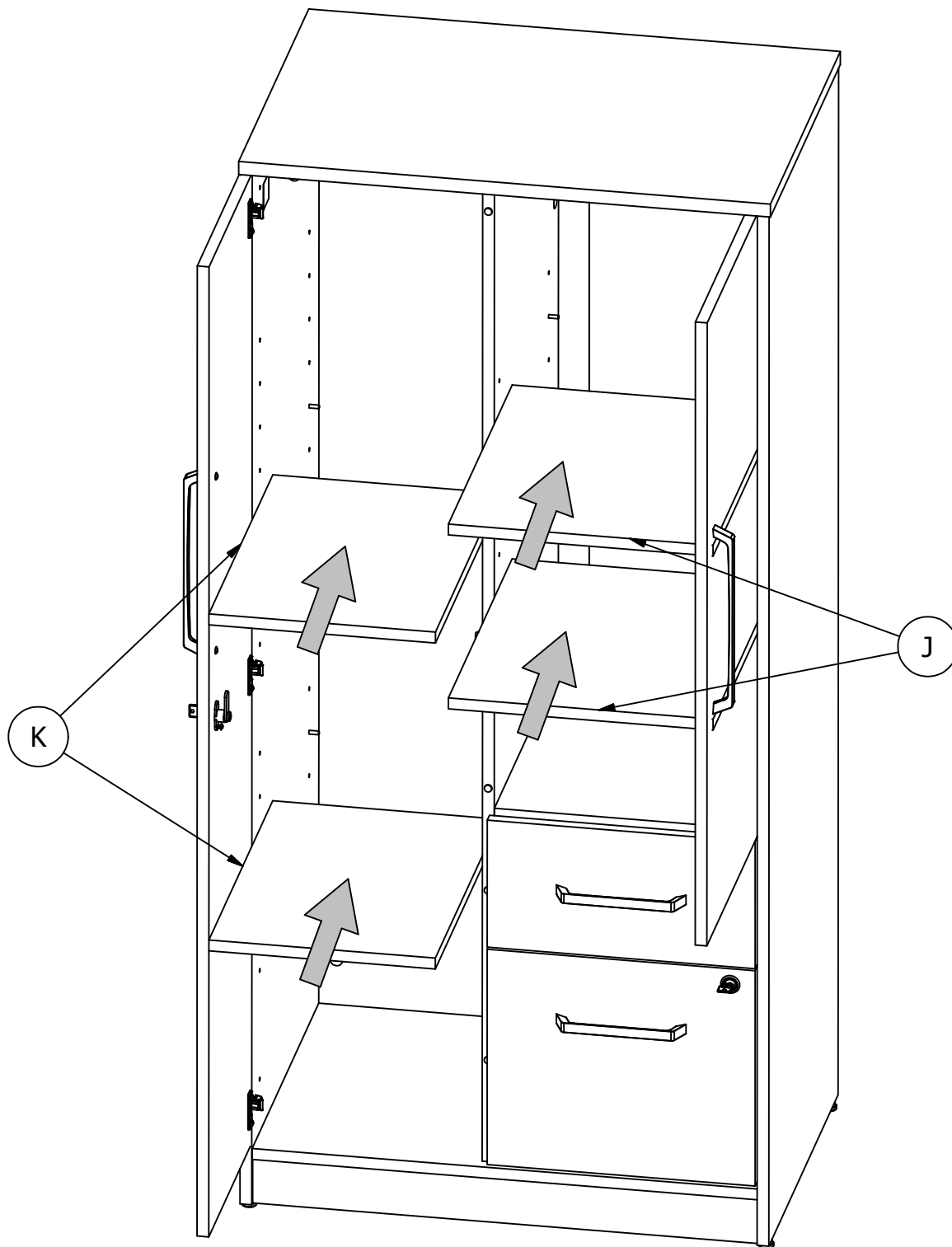


Shelf Pin

[ 16 ]



Have an assembly question or need a replacement part? Just call  
**1-800-950-4782**, we are here to help.



Have an assembly question or need a replacement part? Just call **1-800-950-4782**, we are here to help.

Scan QR Code to Watch Video on:

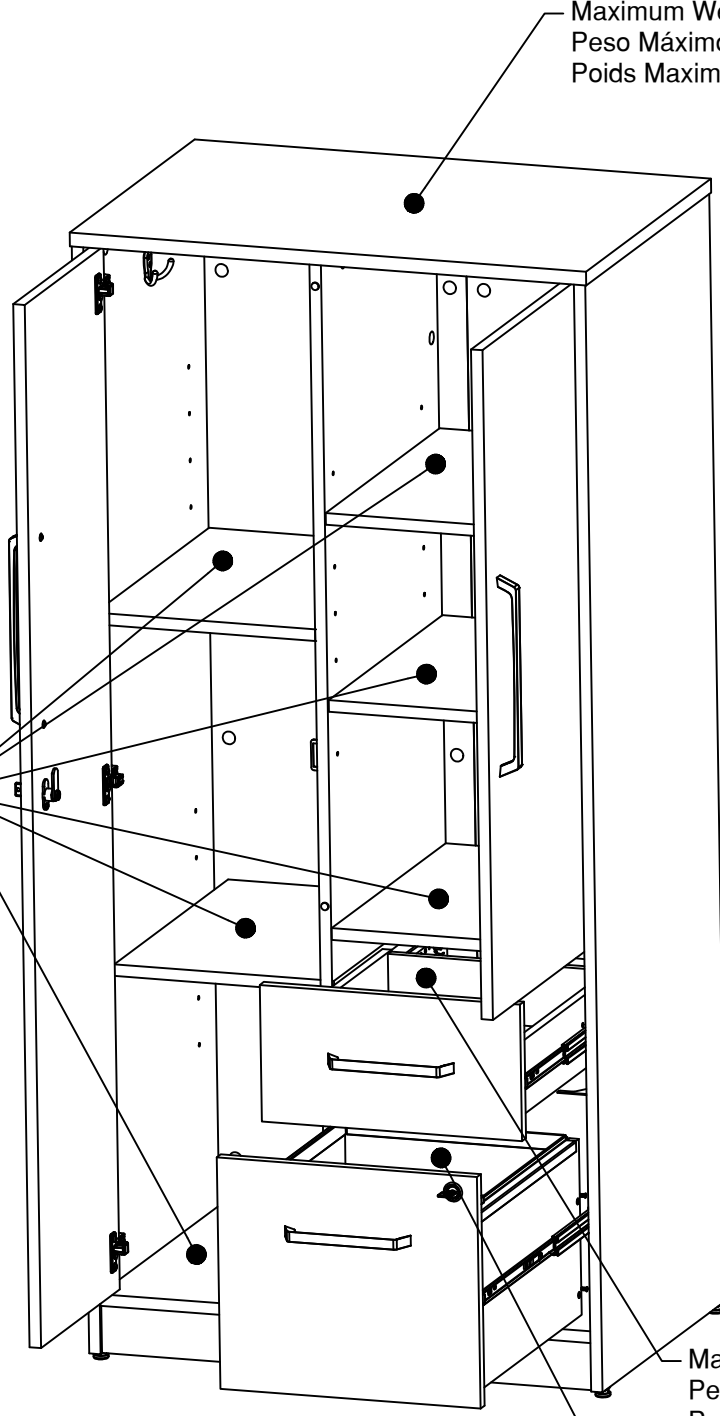


How to Clean the Surface

Gently clean surfaces with a damp sponge eraser.

Maximum Weight: 0 Lbs.  
Peso Máximo: 0 Libras  
Poids Maximum: 0 kilogramme

Maximum Weight: 50 Lbs.  
Peso Máximo: 50 Libras  
Poids Maximum: 22.6 kilogramme



Maximum Weight: 15 Lbs.  
Peso Máximo: 15 Libras  
Poids Maximum: 6.8 kilogramme

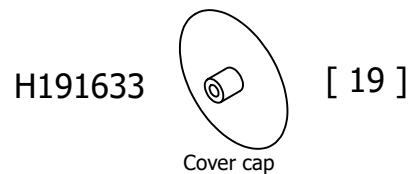
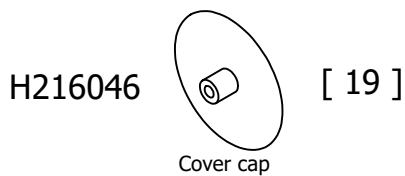
Maximum Weight: 30 Lbs.  
Peso Máximo: 30 Libras  
Poids Maximum: 13.6 kilogramme

Congratulations! You are all done. If you have any questions or concerns, please call.

Have an assembly question or need a replacement part? Just call **1-800-950-4782**, we are here to help.

VSS130NE		
LABEL	QTY	RCE
A	1	W220322
B	1	W220323
C	1	W220324
D	1	W220325
E	1	W220326
F	1	W220327
G	1	W220328
H	1	W220329
I	1	W220330
J	2	W220331
K	2	W220332
L	1	W220333
M	1	W220334
N	1	W220335
O	1	W220336
P	2	W87410
Q	1	W128623
R	1	W192433
S	2	W215261
T	2	W107675

VSS130BW		
LABEL	QTY	BLW
A	1	W220454
B	1	W220455
C	1	W220456
D	1	W220457
E	1	W220458
F	1	W220459
G	1	W220460
H	1	W220461
I	1	W220462
J	2	W220463
K	2	W220464
L	1	W220465
M	1	W220466
N	1	W220467
O	1	W220468
P	2	W87410
Q	1	W128623
R	1	W192433
S	2	W215261
T	2	W107675



# Drawer Removal

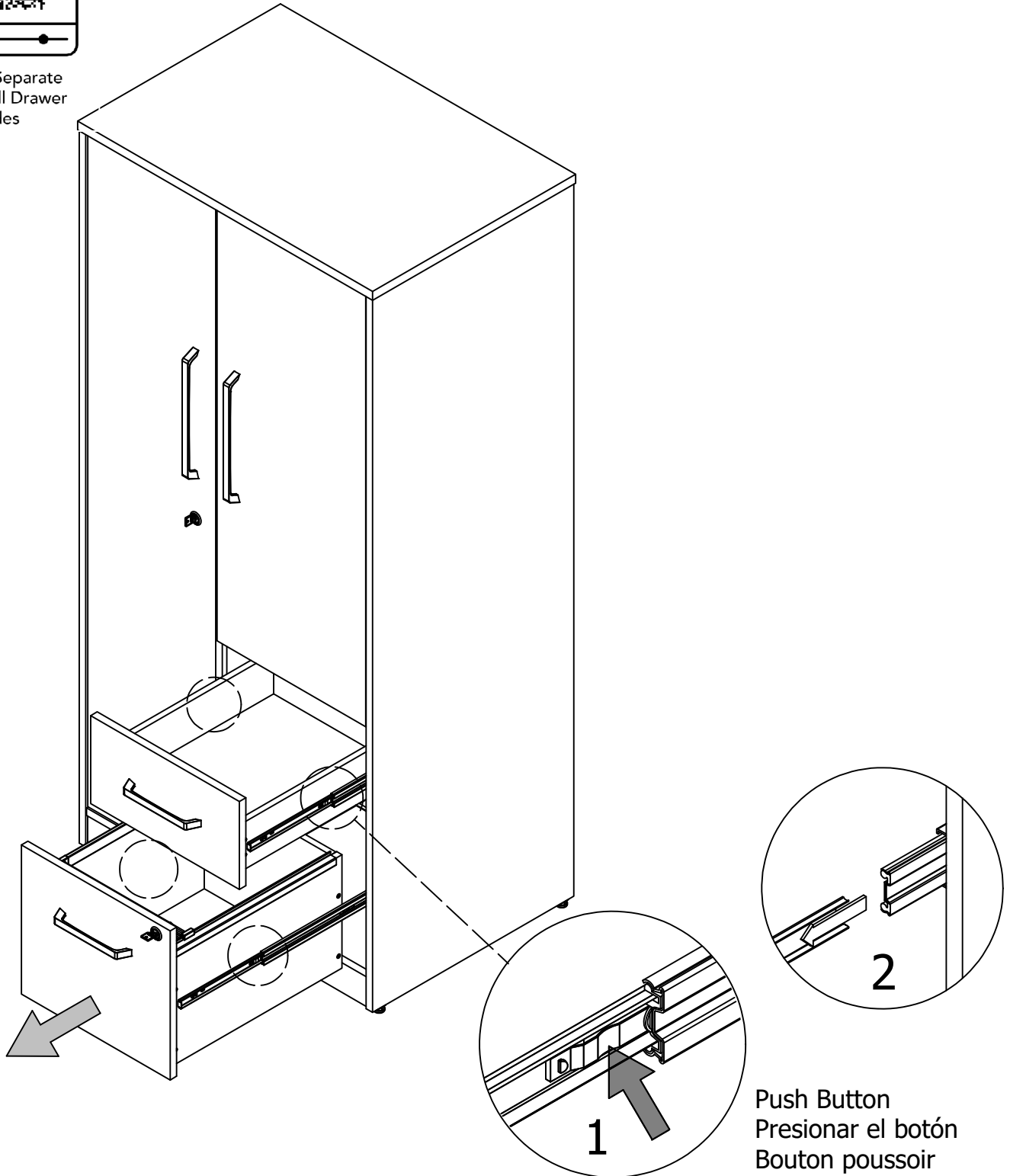
A220321

Scan QR Code to  
Watch Video on:



How to Separate  
and Install Drawer  
Slides

Drawer Removal (if required)  
Quitado de Gaveta (si es necesario)  
retrait du tiroir (si necessaire)



Have an assembly question or need a replacement part? Just call  
**1-800-950-4782**, we are here to help.