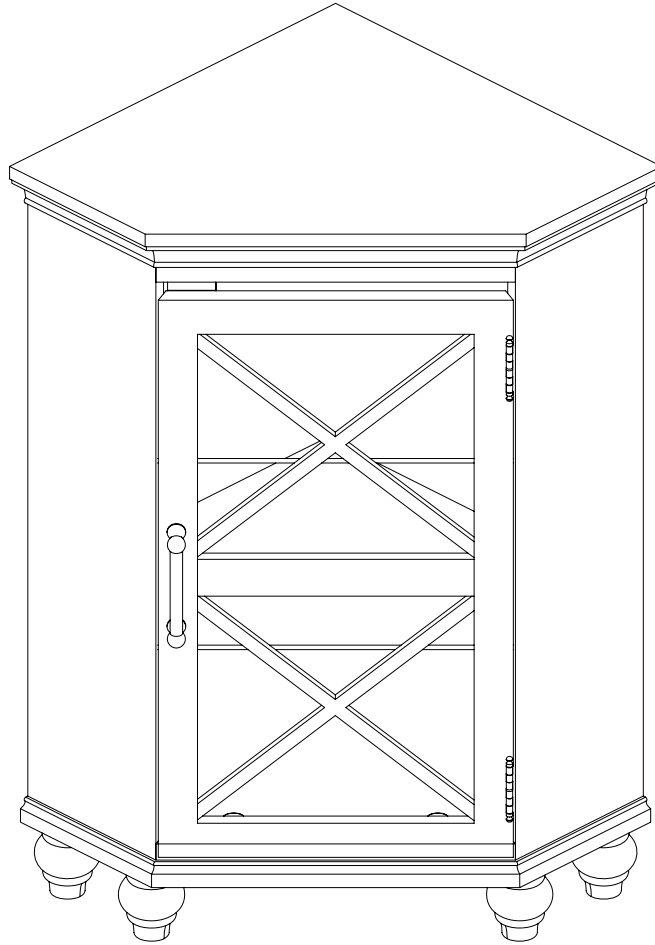


Assembly Instructions

Corner Floor Cabinet



Please provide the following information when contacting for parts or questions: the name of the company you purchased from, the tracking number of the original package, and the original order date.

We offer free replacements for 1 year (purchase verification required). This replacement policy does not cover used/previously returned product or products sold by unauthorized third party vendors.

ASSEMBLY INSTRUCTIONS - IMPORTANT

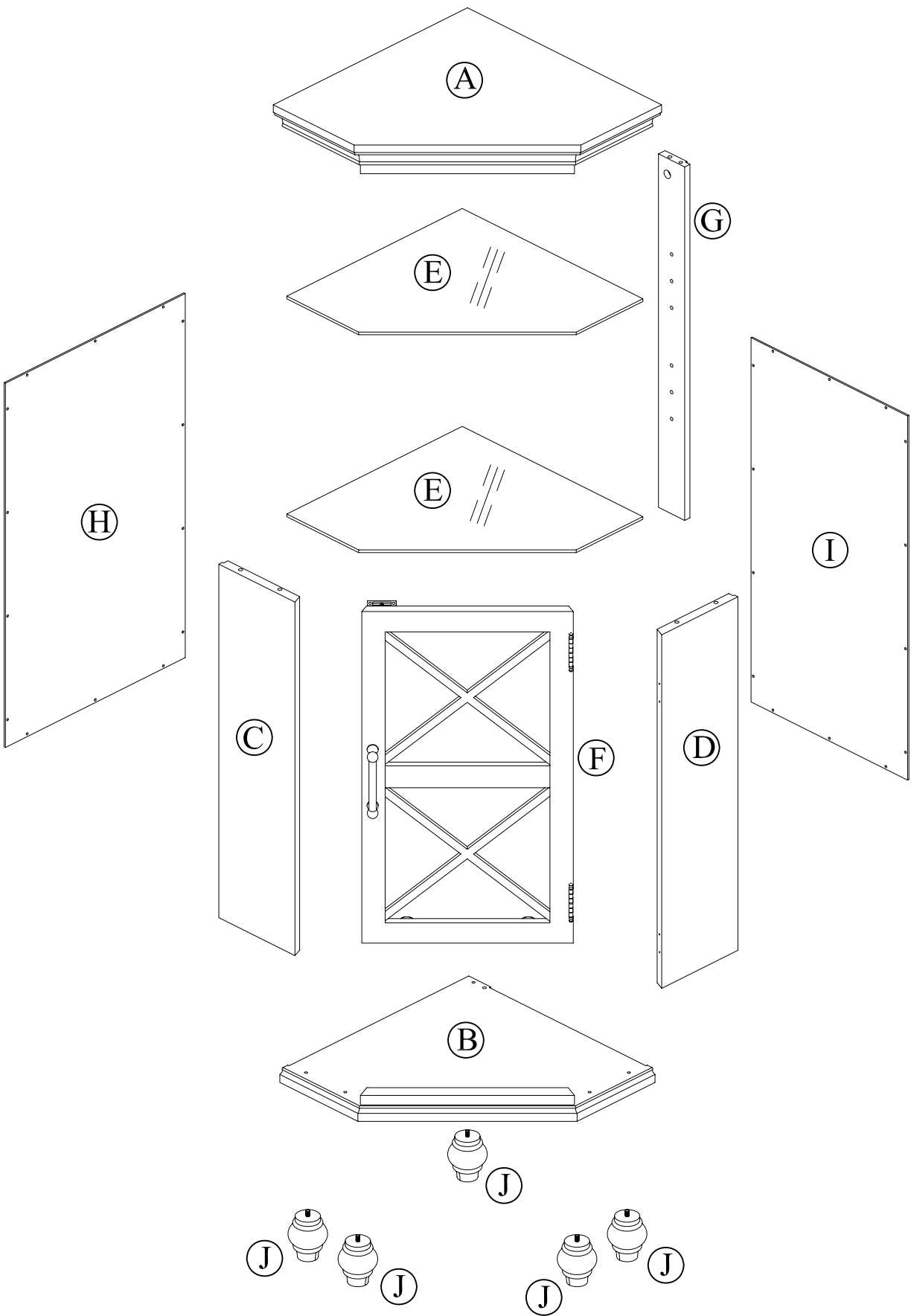
Carefully unpack & identify each component before attempting to assemble. Refer to parts list. Please take care when assembling the unit and always set the parts on a clean, soft surface. If you require any assistance with assembly, parts, please call the company you place order with or please email to: service@eleganthf.net.

INSTRUCCIONES PARA ARMAR - IMPORTANTE :

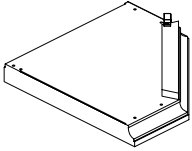
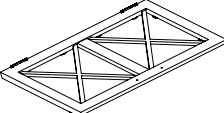
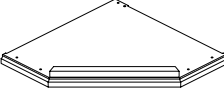
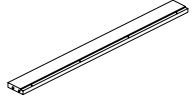
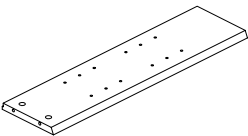
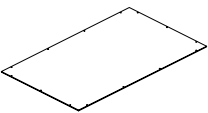
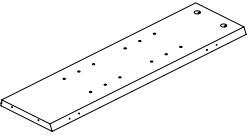
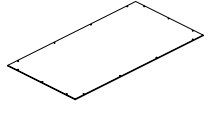


Desempaque cuidadosamente e identifique cada componente antes de tratar de empezar su ensambladura. Verifique la lista de partes. Por favor tenga cuidado cuando arme la unidad y siempre coloque las piezas sobre una superficie plana, suave y limpia. Si necesita ayuda con el armado, envíe un correo electrónico a service@eleganthf.net.

DIRECTIVES DE MONTAGE-IMPORTANT:


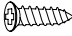

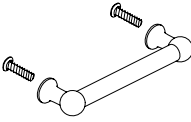



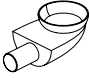
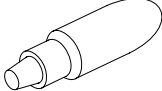

Avant de commencer l'assemblage, déballez délicatement toutes les pièces et repérez-les sur la liste des pièces. Procédez avec soins durant l'assemblage et posez toujours les pièces sur une surface propre, douce et lisse. Si vous plait e-mail à service@eleganthf.net.



COMPONENTS

PART	FIGURE	DESCRIPTION	QTY	PART	FIGURE	DESCRIPTION	QTY
A		TOP SHELF	1PC	F		DOOR	1PC
B		BOTTOM SHELF	1PC	G		REAR RAIL	1PC
C		SIDE PANEL-LEFT	1PC	H		BACK LEFT PANEL	1PC
D		SIDE PANEL-RIGHT	1PC	I		BACK RIGHT PANEL	1PC
E		ADJUSTABLE SHELF	2PCS	J		LEGS	5PCS

HARDWARE & TOOLS

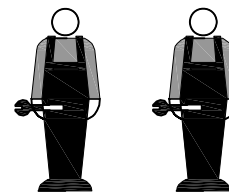
PART	FIGURE	DESCRIPTION	QTY	PART	FIGURE	DESCRIPTION	QTY
1		WOODEN DOWEL	2PCS	6	 Ø3*12 mm	SCREW	4PCS
2		PIN	5PCS	7		KNOB & BOLT	1SET
3		CAM LOCK	5PCS	8	 Ø3*12 mm	SCREW	28PCS
4		CAM LOCK CAP	5PCS	9		SHELF PIN	10PCS
5		GLUE	1PC	10	 Ø4*38mm	SCREW	5PCS

TOOL NEEDED:

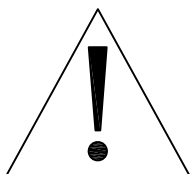


**PHILIPS SCREWDRIVER REQUIRED
- NOT INCLUDED**

SUGGESTION:



TWO PEOPLE FOR ASSEMBLING

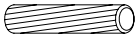


WARNINGS:

1. DO NOT LET ANY SHARP OBJECTS TOUCH OR RUB THE SURFACE OF THE PRODUCT.
2. WHEN ASSEMBLING, DO NOT LET CHILDREN PLAY AROUND THE WORKING AREA.
3. PLEASE CONFIRM ALL PARTS ARE CORRECT BEFORE STARTING THE ASSEMBLY PROCESS.
4. DO NOT TIGHTEN ALL BOLTS AND SCREWS COMPLETELY UNTIL THE ENTIRE UNIT HAS BEEN ASSEMBLED AND SET UP.

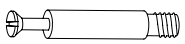
1

1



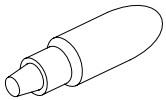
2pcs

2

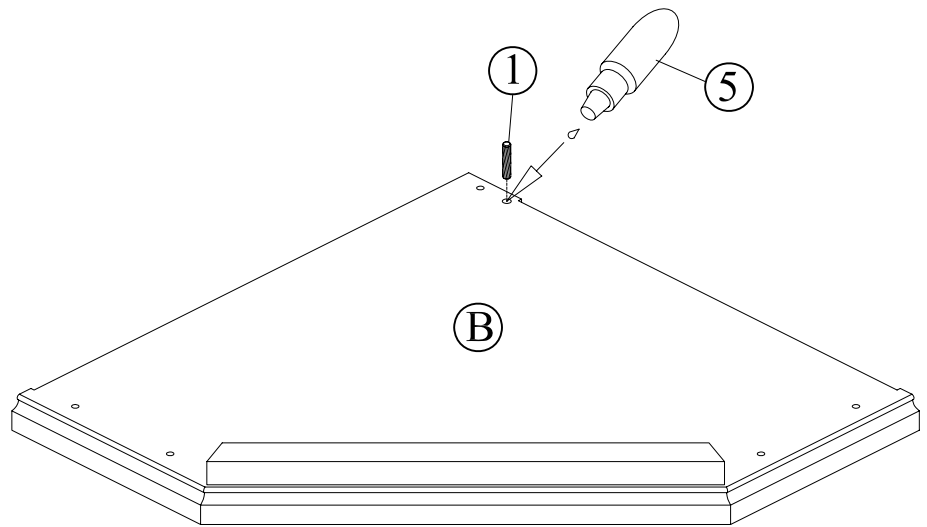
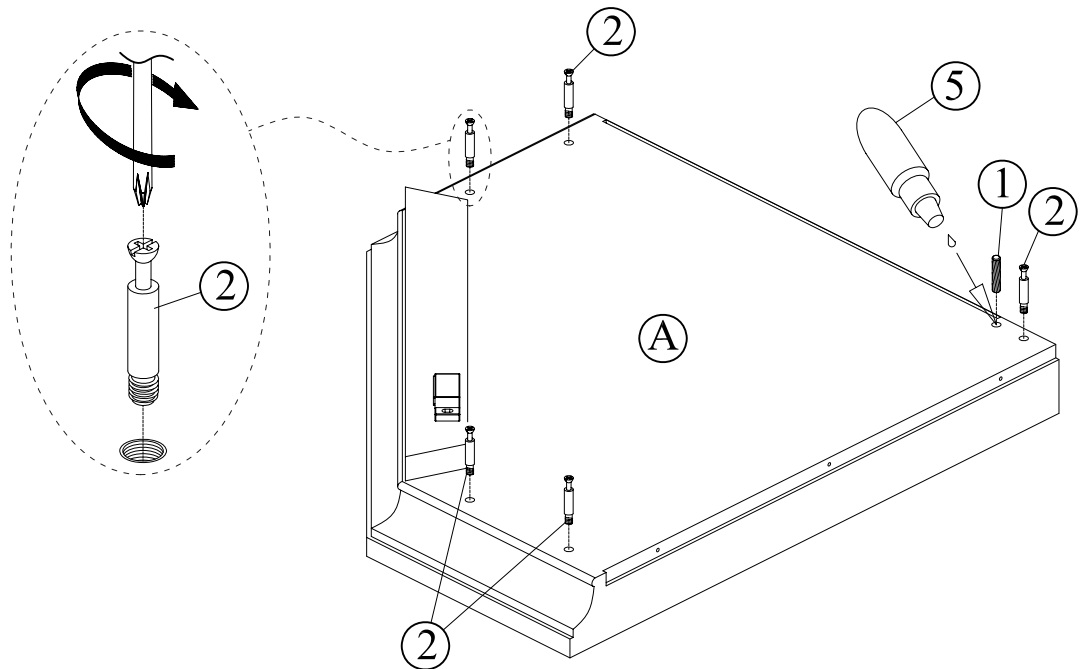


5pcs

5



1pc



STEP 1:

1. Fill dowel hole half way with Glue #5.
Wooden Dowel #1 may push out excess glue-wipe off excess glue.
2. Insert the Wooden Dowel #1 and the Pin #2 into the hole on the Top Shelf A, tighten the Pin #2.
3. Insert the Wooden Dowel #1 into the hole on the Bottom Shelf B.

2

3

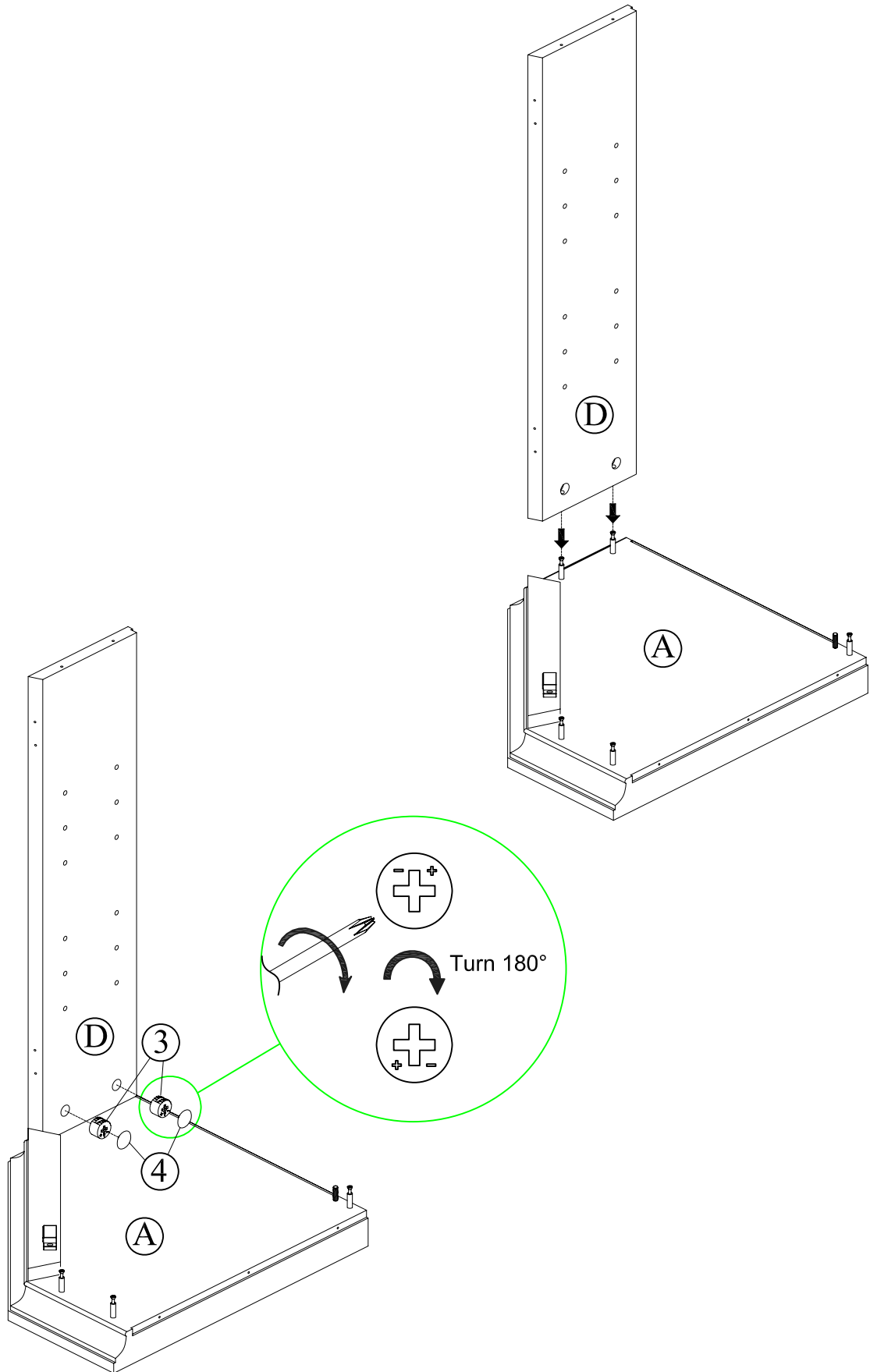


2pcs

4



2pcs



STEP 2:

1. Connect the Side Panel-Right D and the Top Shelf A with the Pin #2.
2. Insert the Cam Lock #3 into the hole on the Side Panel-Right D.
3. Tighten the Cam Lock #3 to the Pin #2, insert the Cam Lock Cap #4 when finish.

3

3

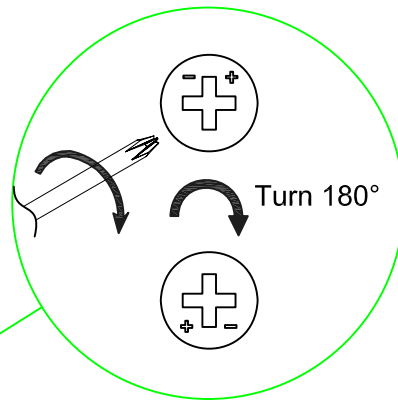
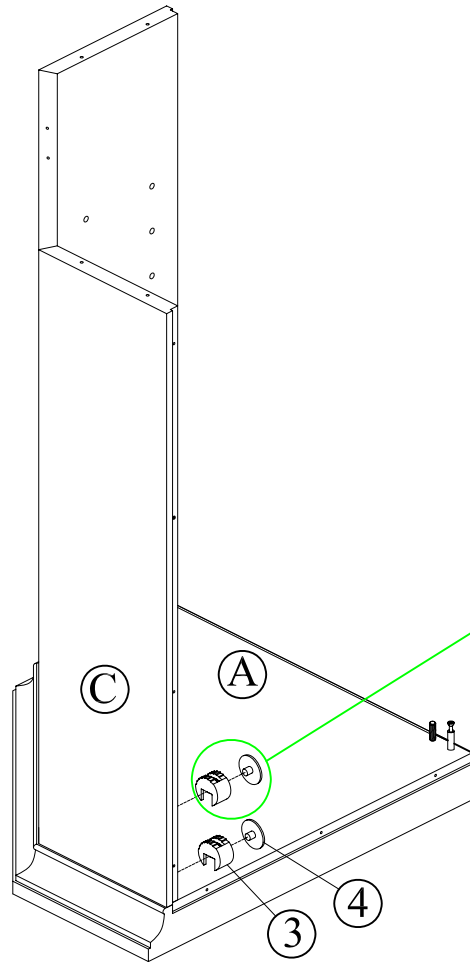
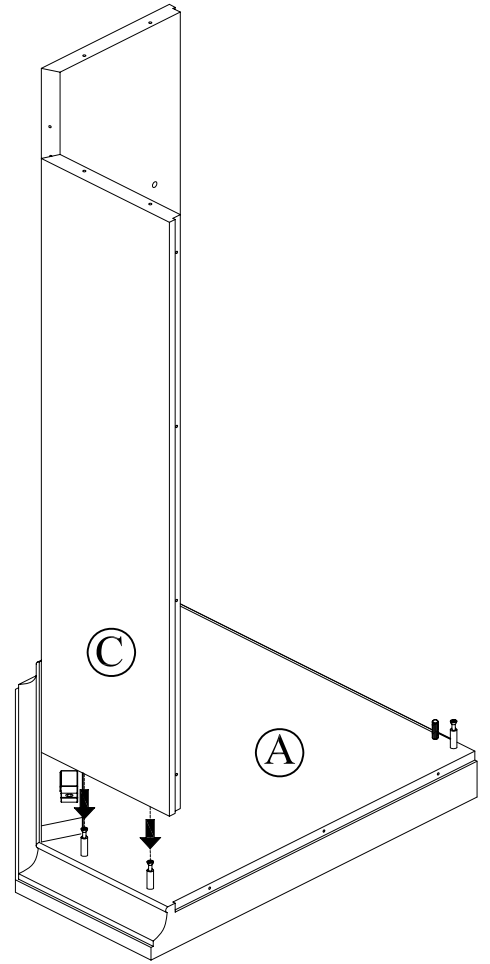


2pcs

4



2pcs



STEP 3:

1. Connect the Side Panel-Left C and the Top Shelf A with the Pin #2.
2. Insert the Cam Lock #3 into the hole on the Side Panel-Left C.
3. Tighten the Cam Lock #3 to the Pin #2, insert the Cam Lock Cap #4 when finish.

4

3

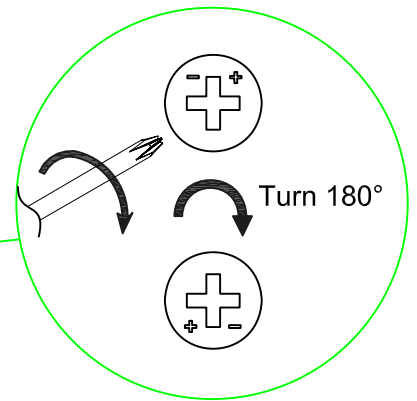
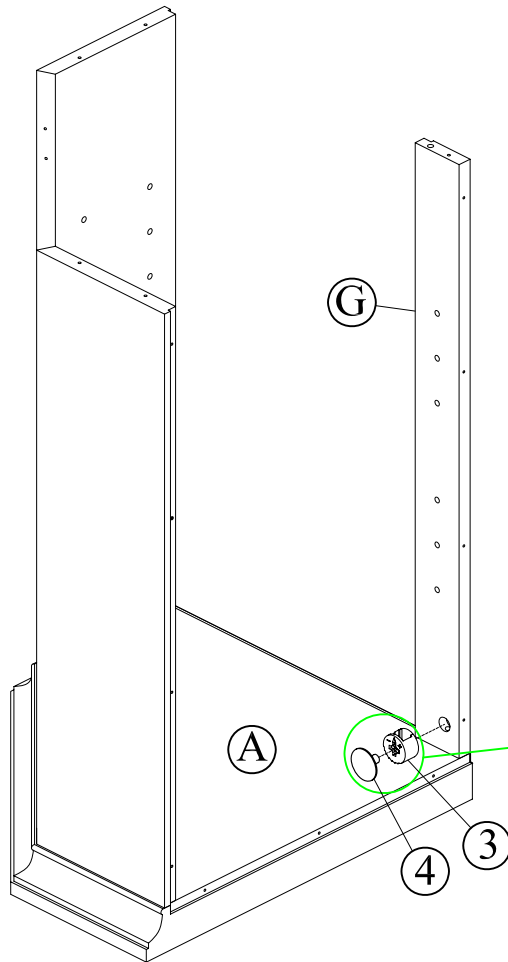
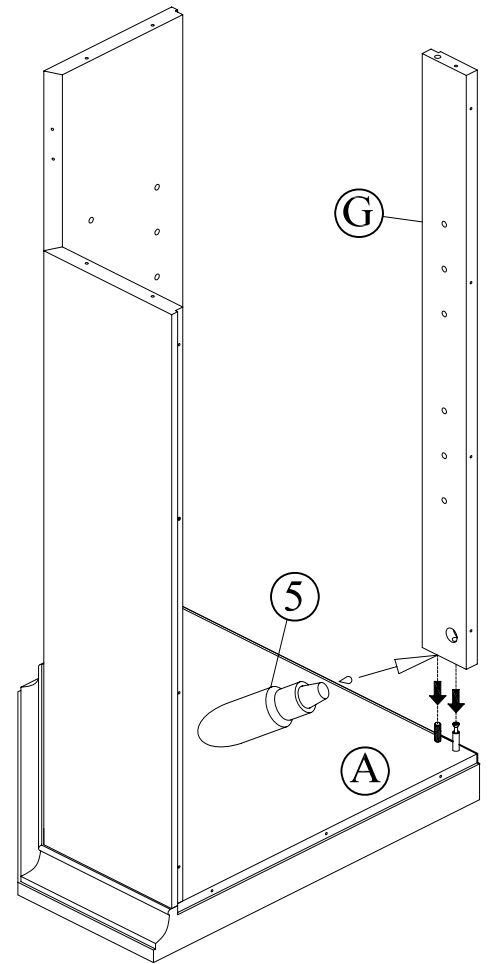


1pc

4



1pc

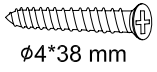


STEP 4:

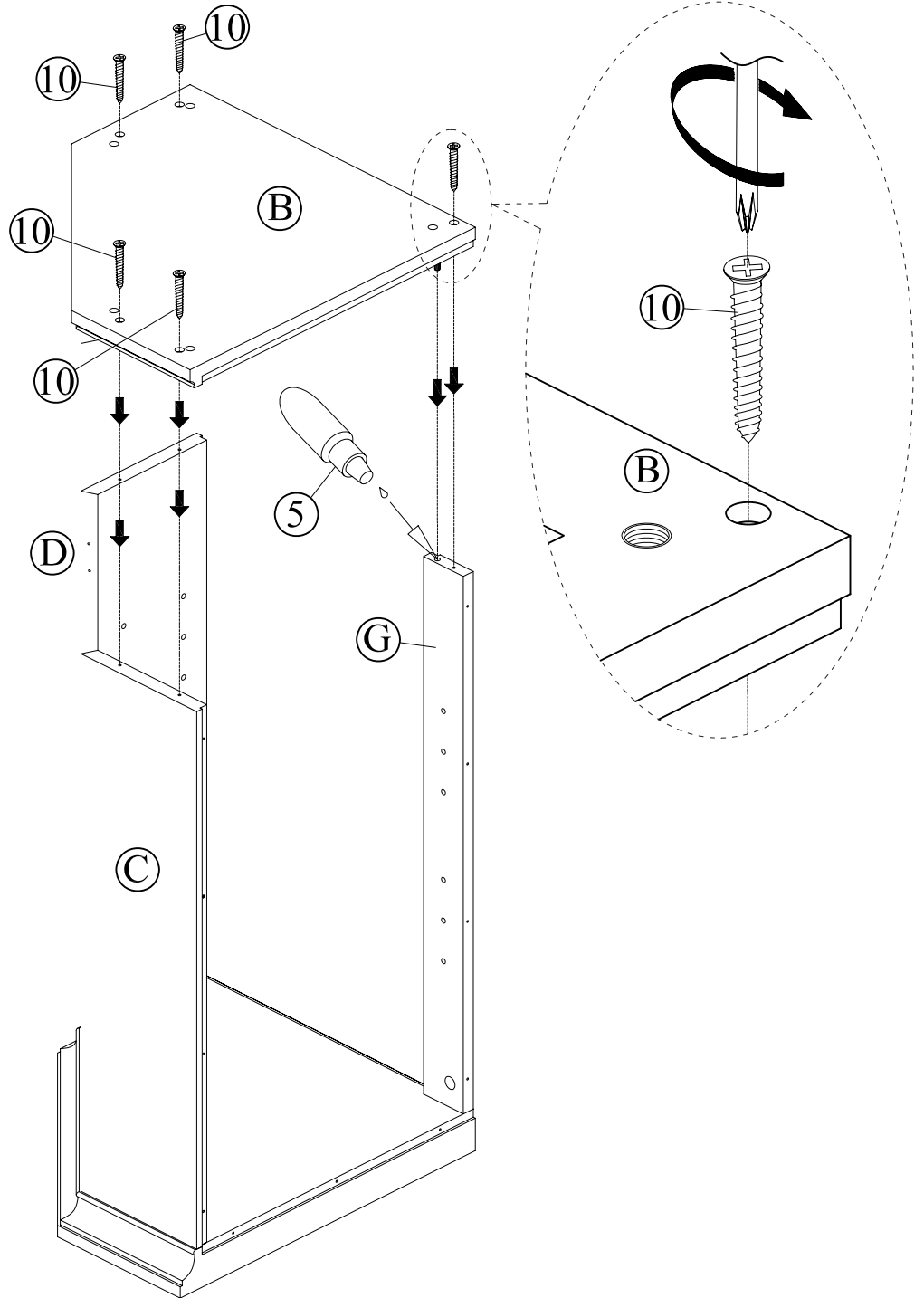
1. Fill dowel hole half way with Glue #5.
Wooden Dowel #1 may push out excess glue-wipe off excess glue.
2. Connect the Rear Rail G and the Top Shelf A with the Wooden Dowel #1 and the Pin #2.
3. Insert the Cam Lock #3 into the hole on the Rear Rail G.
4. Tighten the Cam Lock #3 to the Pin #2, insert the Cam Lock Cap #4 when finish.

5

10



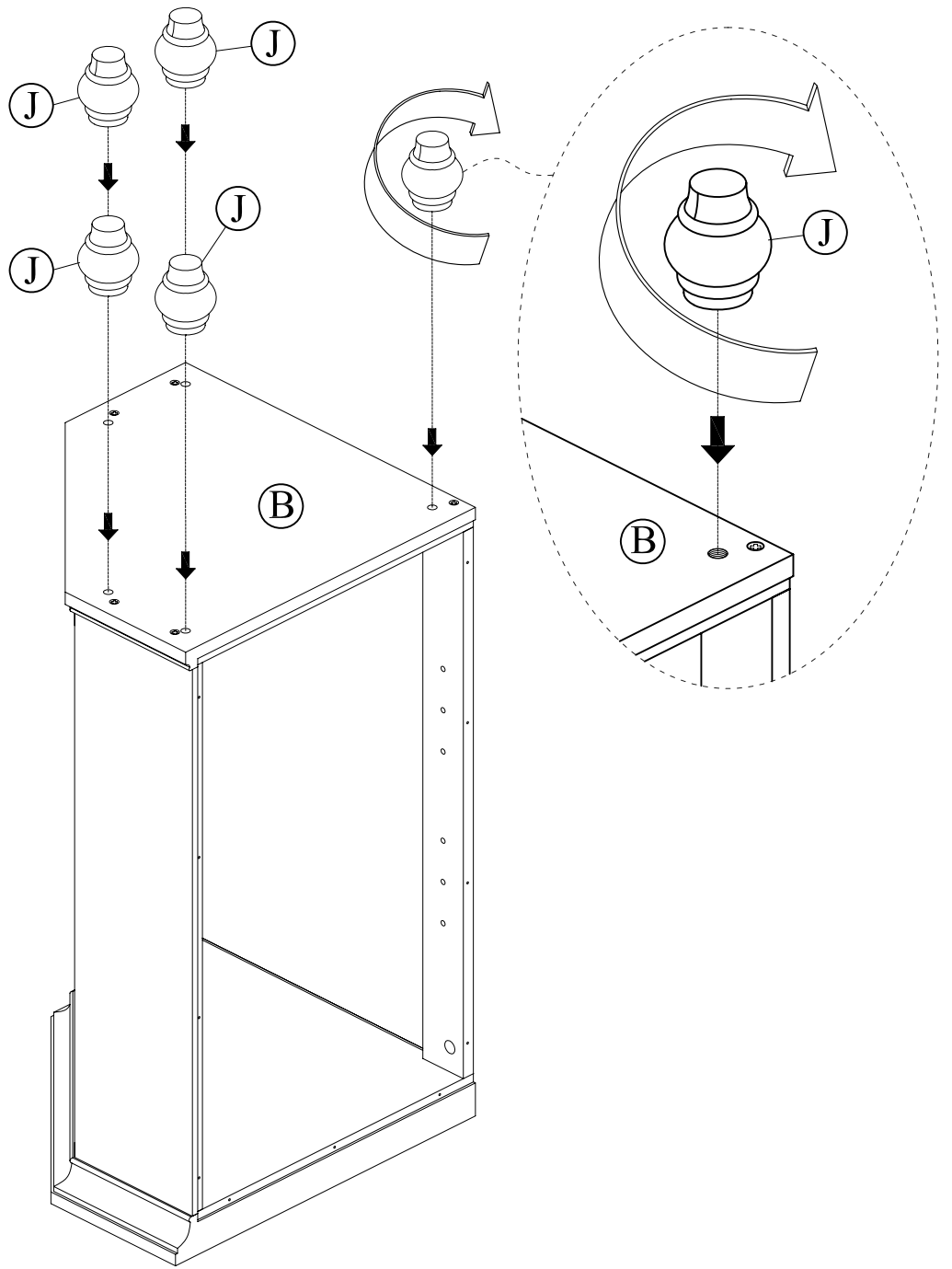
5pcs



STEP 5:

1. Fill dowel hole half way with Glue #5.
Wooden Dowel #1 may push out excess glue-wipe off excess glue .
2. Connect the Bottom Shelf B and the Side Panel-Left C & the Side Panel-Right D & the Rear Rail G with the Wooden Dowel #1 and the Screw #10.
3. Insert the Screw #10 into the hole on the Bottom Shelf B,tighten the Screw #10.

6

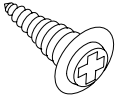


STEP 6:

1. Install the Legs J into the hole on the Bottom Shelf B, then tighten the Legs J.

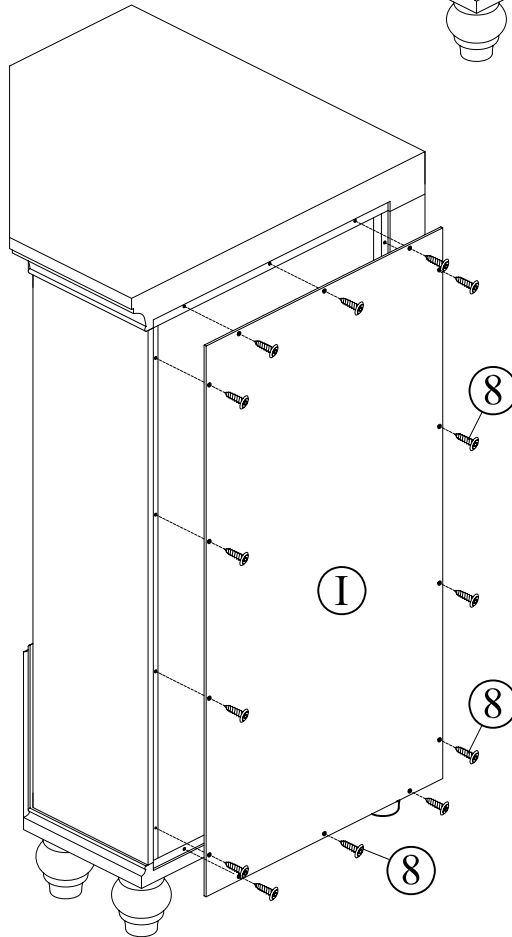
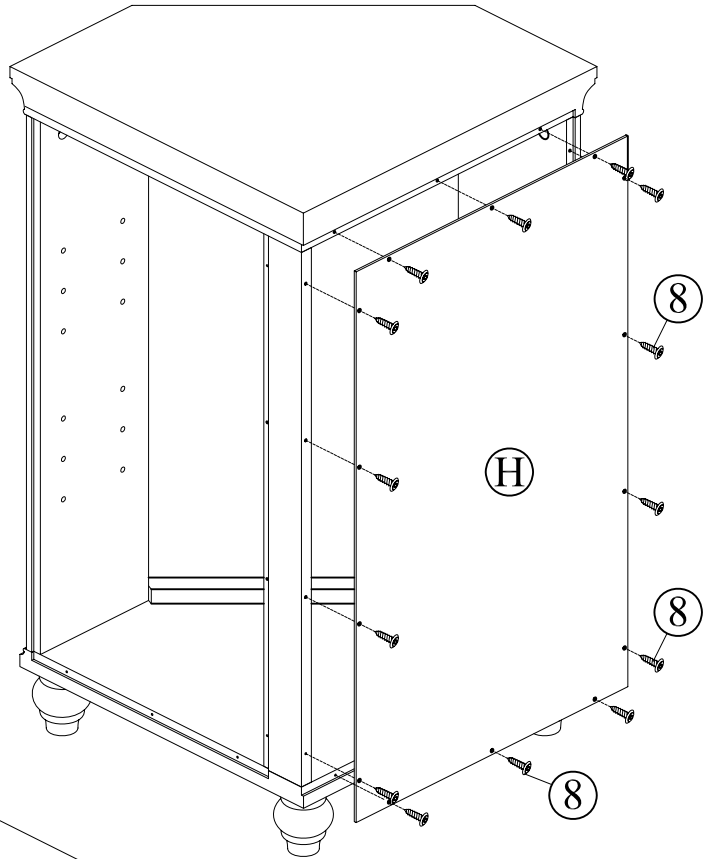
7

8



Ø3*12 mm

28pcs

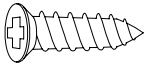


STEP 7:

1. Connect the Back Left Panel H and the main body with the Screw #8, tighten the Screw #8.
2. Connect the Back Right Panel I and the main body with the Screw #8, tighten the Screw #8.

8

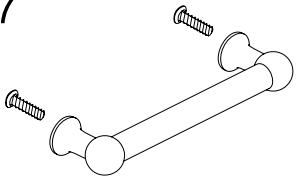
6



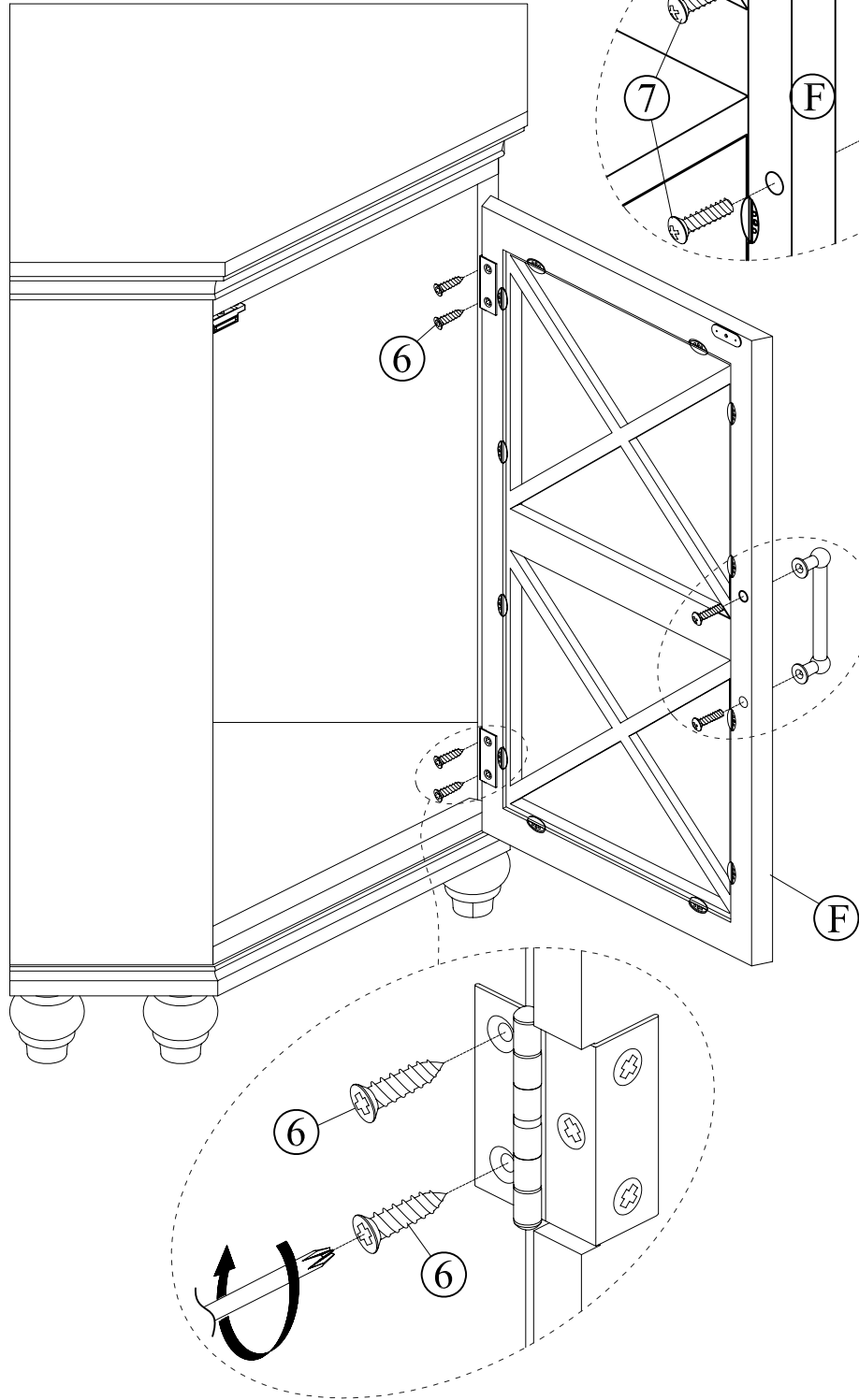
Ø3*12 mm

4pcs

7



1set



STEP 8:

1. Connect the Door F and the Side Panel-Right D with the Screw #6, and the Screw #6 pass through the hole on the hinge, then tighten the Screw #6.
2. Attach the Knob #7 to the Door F with the Bolt #7, then tighten the Bolt #7.

