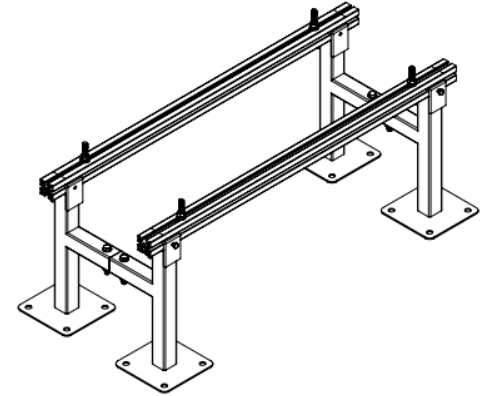


Aluminum Stand

PRODUCT

Aluminum equipment stands, which provide a safe and stable platform, come in a base (-AL) and extension (-ALX) configuration. These stands are hurricane rated.

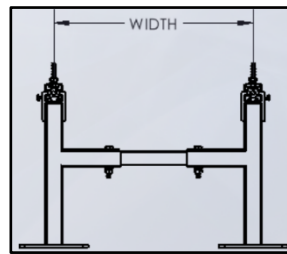
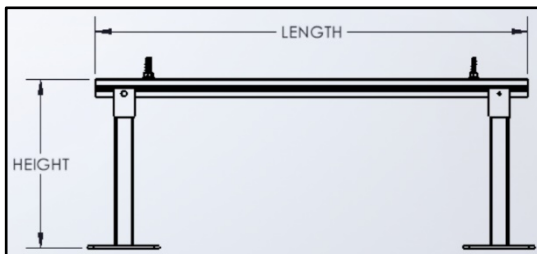


PURPOSE

The 1403 and 2403 models are intended for single fan mini-split applications. However, the 1404 and 2404 are designed for traditional split system and large two fan mini-split installations. Ideal for coastal and other harsh environments.

FEATURES

- Material: 6061-T6 Aluminum
- Feet: 6-inch square design integral to leg
- Legs: T-frame design with 1.5 in. square aluminum tube
- Includes: Mounting rail with equipment mounting hardware



CATALOG NO.	DESCRIPTION	HEIGHT	LENGTH	MIN WIDTH	MAX WIDTH	CAPACITY	QTY OF FEET
QSTD1403-AL	AL Std 14 in. Tall 36 in. Rail	14.06 in.	36.00 in.	11.50 in.	17.25 in.	400 lbs.	4
QSTD1403-ALX	AL Std 14 in. Tall EXT 48 in. Rail	14.06 in.	48.00 in.	11.50 in.	17.25 in.	400 lbs.	2
QSTD2403-AL	AL Std 24 in. Tall 36 in. Rail	24.06 in.	36.00 in.	11.50 in.	17.25 in.	400 lbs.	4
QSTD2403-ALX	AL Std 24 in. Tall EXT 48 in. Rail	24.06 in.	48.00 in.	11.50 in.	17.25 in.	400 lbs.	2
QSTD1404-AL	AL Std 14 in. Tall 48 in. Rail	14.06 in.	48.00 in.	18.50 in.	31.25 in.	400 lbs.	4
QSTD1404-ALX	AL Std 14 in. Tall EXT 48 in. Rail	14.06 in.	48.00 in.	18.50 in.	31.25 in.	400 lbs.	2
QSTD2404-AL	AL Std 24 in. Tall 48 in. Rail	24.06 in.	48.00 in.	18.50 in.	31.25 in.	400 lbs.	4
QSTD2404-ALX	AL Std 24 in. Tall EXT 48 in. Rail	24.06 in.	48.00 in.	18.50 in.	31.25 in.	400 lbs.	2