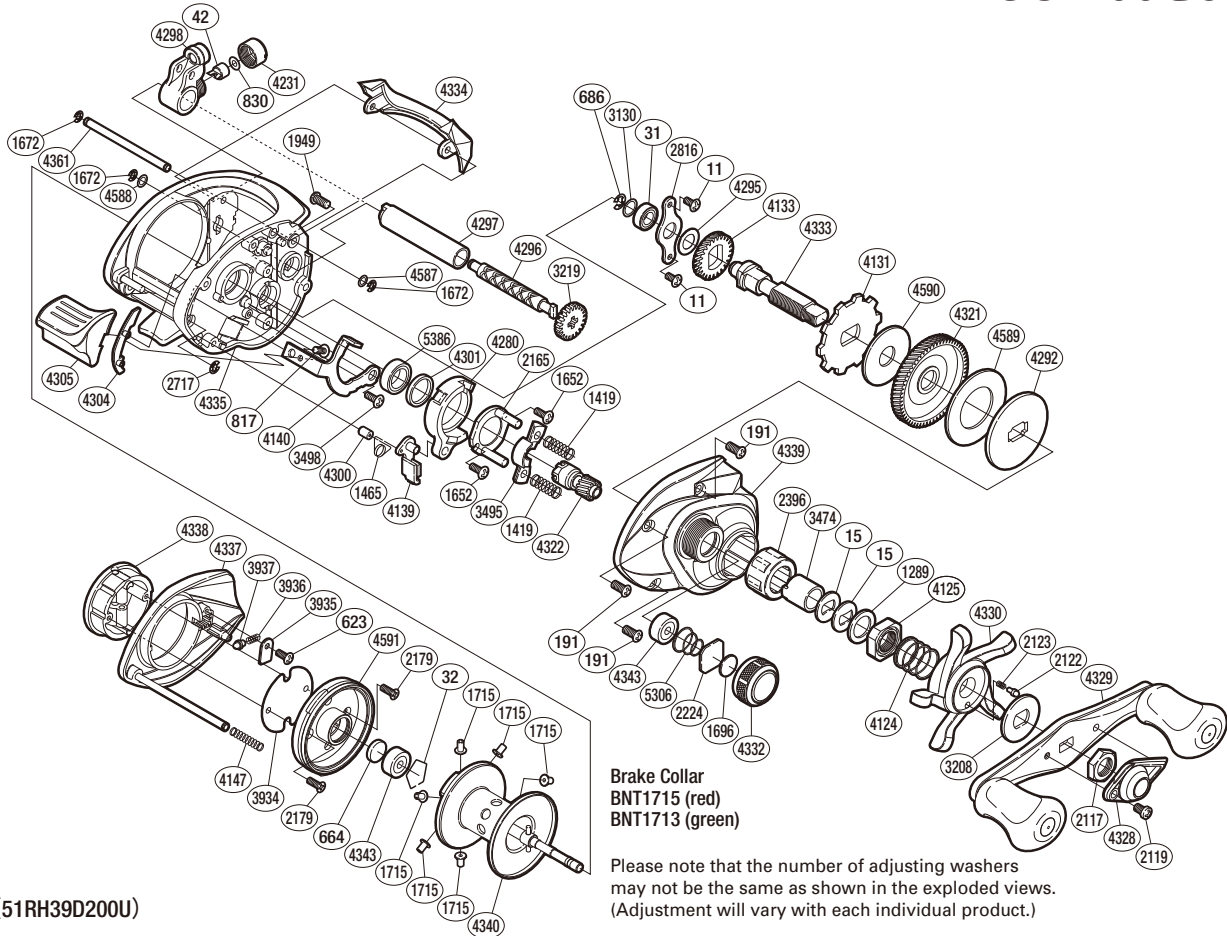


# SHIMANO

## CURADO

## CU-200G5



Part No.	Description	Part No.	Description	Part No.	Description
BNT0011	Screw	BNT2717	E Lock	BNT4301	Bearing Bushing
BNT0015	Drag Spring Washer	BNT2816	Drive Shaft Retainer	BNT4304	Clutch Bar Guide
BNT0031	Ball Bearing	BNT3130	Washer	BNT4305	Quick-Fire II Clutch Bar
BNT0032	Bearing Retainer	BNT3208	Star Drag Click Plate	BNT4321	Drive Gear
BNT0042	Line Guide Pawl	BNT3219	Idle Gear	BNT4322	Pinion Gear
BNT0191	Screw	BNT3474	Roller Clutch Inner Tube	BNT4328	Handle Retainer
BNT0623	Screw	BNT3495	Yoke	BNT4329	Handle Assembly
BNT0664	Spacer B	BNT3498	Screw	BNT4330	Star Drag
BNT0686	E Lock	BNT3934	Brake Case Spacer	BNT4332	Cast Control Cap
BNT0817	Screw	BNT3935	Brake Spring Retainer	BNT4333	Drive Shaft
BNT0830	Spacer	BNT3936	Click Spring	BNT4334	Level Wind Protector
BNT1289	Star Drag Spacer	BNT3937	Click Pin	BNT4335	One-Piece Frame
BNT1419	Yoke Spring	BNT4124	Star Drag Spring	BNT4337	Left Side Plate
BNT1465	Clutch Pawl Spring	BNT4125	Star Drag Nut	BNT4338	Turnkey Dial
BNT1652	Screw	BNT4131	Anti-Reverse Ratchet	BNT4339	Right Side Plate
BNT1672	E Lock	BNT4133	Idle Gear	BNT4340	Spool Assembly
BNT1696	Cast Control Spacer	BNT4139	Clutch Pawl	BNT4343	Ball Bearing
BNT1715	Brake Collar (red)	BNT4140	Clutch Plate	BNT4361	Stabilizer Bar
BNT1949	Screw	BNT4147	Damper Spring	BNT4587	Washer
BNT2117	Handle Nut	BNT4231	Pawl Cap	BNT4588	Washer
BNT2119	Screw	BNT4280	Clutch Cam	BNT4589	Drag Washer
BNT2122	Click Pin	BNT4292	Key Washer	BNT4590	Drag Washer
BNT2123	Click Spring	BNT4295	Washer	BNT4591	Brake Case
BNT2165	Clutch Cam Retainer	BNT4296	Worm Shaft	BNT5306	Spool Tension Spring
BNT2179	Screw	BNT4297	Level Wind Guard	BNT5386	Ball Bearing
BNT2224	Spool Tension Spacer	BNT4298	Line Guide		
BNT2396	Roller Clutch Bearing	BNT4300	Retractor Spring Collar	BNT1713	Brake Collar (green) (accessory)