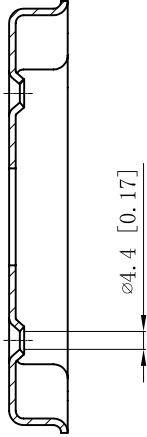
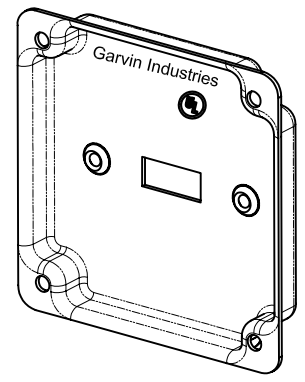
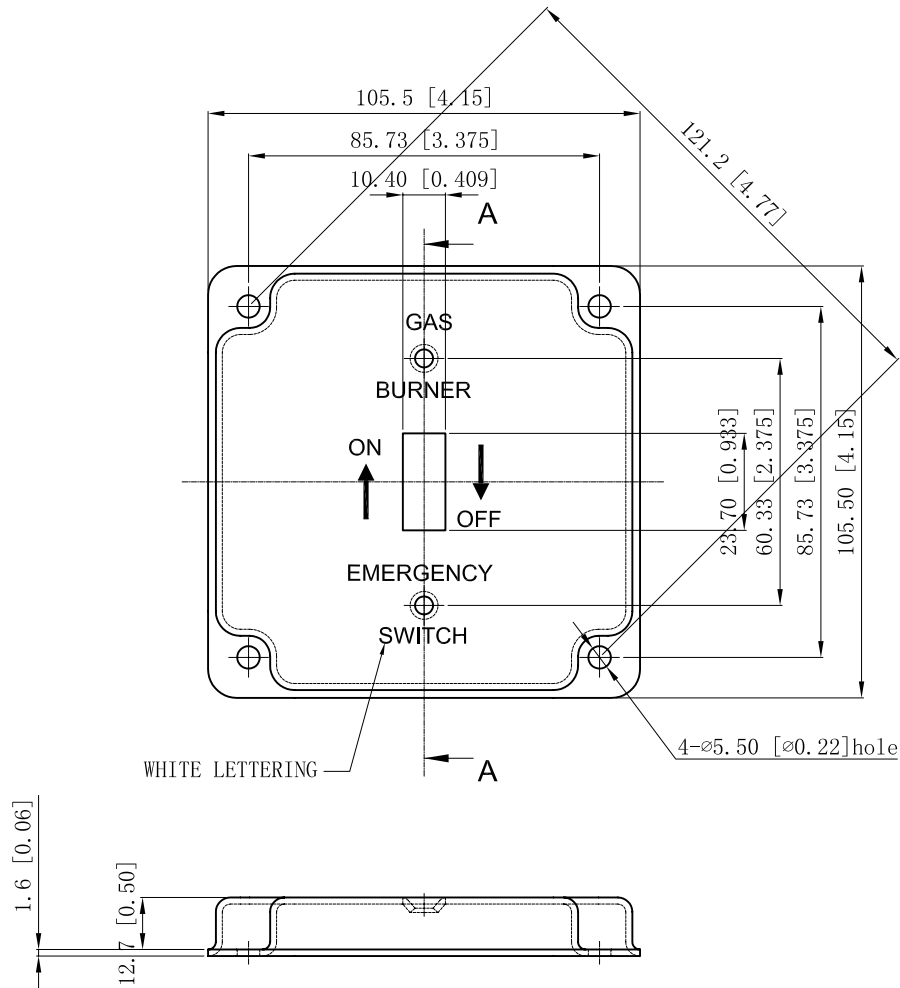


| | |
|---|--------|
| SIDES | BOTTOM |
| | |
| | |
| | |
| 2 PCS #8-32×3/8 pack in Poly-Bag seperately | |
| Material:Steel-0.0625"-G60 Powdre Coating Red | |



VIEW A



| |
|-----------------------|
| DESCRIPTION |
| |
| TRADE REFERENCE TERMS |
| |

| |
|------------------|
| STANDARD PACKING |
| 25/100 PCS |

This data sheet is for reference only .GARVIN INDUSTRIES reserves the right to make changes to the design without prior notice.

| | | |
|---|--------------------|----------|
| GARVIN INDUSTRIES | | |
| TITLE 4" SQUARE RED EMERGENCY GAS BURNER SWITCH PLATE. 1-TOGGLE WITH ON/OFF | | |
| SIZE A4 | DWG NO. BP-1935 | REV A |
| DATA SHEET | | |