

Installation Guide

Bath Whirlpool with Custom Pump

K-1106, K-1126, K-1131,
K-1139, K-1144, K-1146,
K-1148, K-1157, K-1192,
K-1194, K-1196, K-1198,
K-1201, K-1209, K-1221,
K-1224, K-1226, K-1231,
K-1239, K-1244, K-1246,
K-1248, K-1257, K-1263,
K-1266, K-1337, K-1458

M product numbers are for Mexico (i.e. K-12345**M**)
Los números de productos seguidos de **M** corresponden a México
(Ej. K-12345**M**)
Français, page "Français-1"
Español, página "Español-1"

THE BOLD LOOK
OF **KOHLER**®

Important Information



WARNING: When using electrical products, basic precautions should always be followed, including the following:



DANGER: Risk of electric shock. Connect only to a circuit protected by a Ground-Fault Circuit-Interrupter (GFCI).

Building materials and wiring should be routed away from the pump body and other heat-producing components of the unit.

Install to permit access for servicing.

Grounding is required. The unit should be installed by a qualified service representative, and grounded.



WARNING: Risk of electric shock. A qualified electrician should make all electrical connections.



WARNING: Risk of electric shock. Disconnect power before servicing.



WARNING: Risk of injury or property damage. Please read all instructions thoroughly before beginning installation, including the following requirements.

NOTICE: Follow all local plumbing and electrical codes.

Product Information

Electrical Requirements

The installation must have a Class A Ground-Fault Circuit-Interrupter (GFCI) or Residual Current Device (RCD). The GFCI or RCD protects against line-to-ground shock hazard. Use a 120 V, 15 A, 60 Hz dedicated service for the whirlpool.

"H" models require a separate 120 V, 15 A, 60 Hz dedicated service for the heater.

NOTE: If the pump supply cord is damaged, it must be replaced by the manufacturer, its service agent or similarly qualified persons in order to avoid a hazard. The heater supply cord cannot be replaced. If the cord is damaged the heater should be replaced.

Product Notices



WARNING: Unauthorized modification may cause unsafe operation and poor performance of the whirlpool. Do not relocate the whirlpool pump, or make other modifications to the whirlpool system, as this could adversely affect the performance and safe operation of the whirlpool. Kohler Co. shall not be liable under its warranty or otherwise for personal injury or damage caused by any such unauthorized modification.



WARNING: Risk of electrical shock. Disconnect power before servicing.



WARNING: Risk of electrical shock. A qualified electrician should make all electrical connections.



WARNING: Risk of injury or property damage. Please read all instructions thoroughly before beginning installation.

NOTICE: Follow all local plumbing and electrical codes.

Factory-Assembled Features

Factory installed components include pump with power supply cord and air switch transmitter, and air control. No installation is needed.

"H" models are supplied with a factory assembled in-line heater.

The whirlpool pump and piping are factory-assembled.

Product Information (cont.)

Connections and Service Access

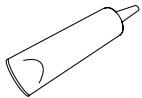
Before installation, ensure proper access to the final connections.

NOTICE: Provide unrestricted service access to the pump. You must provide access for servicing the pump and controls. The access must be located immediately next to the pump. Study the Roughing-In Guide packed with the whirlpool.

Table of Contents

Important Information	2
Product Information	2
Tools and Materials	3
Before You Begin	3
Prepare the Site	5
Prepare the Whirlpool	5
Disconnect the Pump	5
Secure the Unit — Models With Support Blocks	6
Secure the Unit — Models With Whirlpool Base	8
Relocate and Mount the Pump	10
Install the Plumbing	11
Install a Rim-Mounted Faucet	11
Make Electrical Connections	12
Test Run the Whirlpool	12
Complete the Finished Wall	13
Clean-Up After Installation	13
Confirm Proper Operation	14
Troubleshooting	15

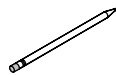
Tools and Materials



Silicone Sealant



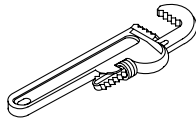
Tape Measure



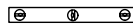
Pencil



Safety Glasses



Pipe Wrench



Level

Plus:

- Conventional woodworking tools and materials
- Drop Cloth
- Construction adhesive (optional)
- Cement or mortar (optional)
- 2x4s or 2x6s
- Screws or Lag Bolts

Before You Begin

- We recommend this whirlpool for drop-in installation.
- Inspect the whirlpool for damage before you begin installation.
- Confirm adequate mounting and connection space for the faucet specified for your installation.

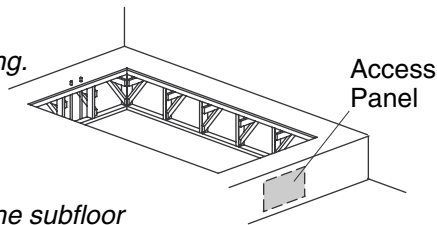
Before You Begin (cont.)

- Kohler Co. reserves the right to make revisions in the design of products without notice, as specified in the Price Book.

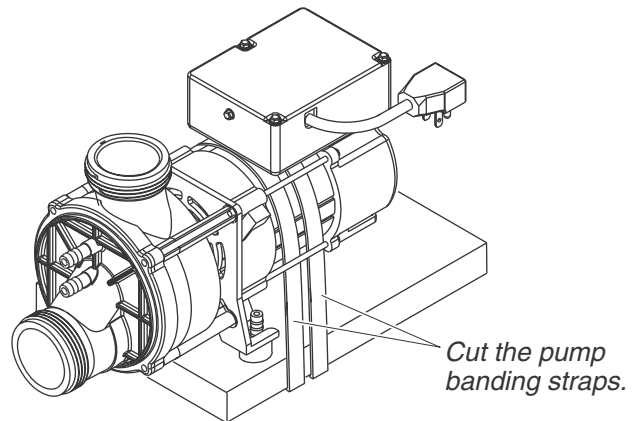
Construct 2x4 or 2x6 stud framing according to the roughing-in information.

Frame the floor according to the roughing-in information.

Position the rough plumbing.



Verify that the subfloor offers adequate support, and is flat and level.



1. Prepare the Site

NOTICE: Refer to the Roughing-in Guide packed with your whirlpool for the required minimum lb/square foot (kg/square meter) floor support loading.

- Make sure the flooring offers adequate support for your whirlpool, and verify that the subfloor is flat and level.
- Construct 2x4 or 2x6 stud framing for the drop-in installation.

NOTICE: The whirlpool must be supported by its feet or base. Do not support the load weight of the whirlpool by the perimeter of the rim.

- **For a raised installation:** Frame the floor or construct a frame in accordance with the roughing-in information packed with the whirlpool.
- Carefully lay out and cut the rough deck material. Use the cut-out template, if one is provided, or refer to the Roughing-In Guide for cutout information.
- Position the plumbing according to the roughing-in information packed. Cap the supplies, and check for leaks.

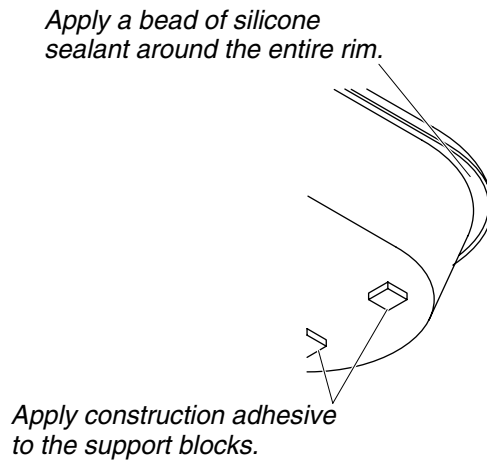
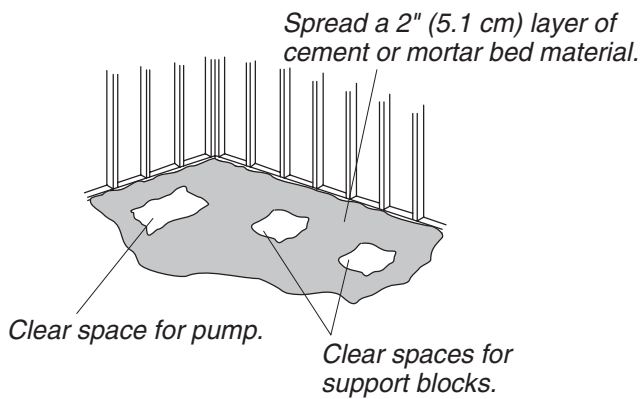
2. Prepare the Whirlpool

- Install the drain to the whirlpool according to the drain manufacturer's instructions. Do not connect the trap at this time.
- Position a clean drop cloth or similar material in the bottom of the whirlpool. Be careful not to scratch the surface of the whirlpool.

3. Disconnect the Pump

NOTE: No cutting of the whirlpool harness (piping) is required for this installation. Any cutting of the harness will void the warranty.

- Disconnect the pump and heater (if equipped) from the shipping location by cutting the two banding straps with tin snips.
- Move the pump and heater (if equipped) aside.
- Relocate the pump and heater (if equipped) next to the customized inlet/outlet connections of the whirlpool harness. The pump may protrude beyond the rim of the bath. See the rough-in details.



4. Secure the Unit — Models With Support Blocks

NOTICE: Do not lift the whirlpool by the piping or pump, or use the piping or pump for structural support of the whirlpool. To avoid damage to the whirlpool, lift at the sides of the whirlpool.

NOTICE: Do not support the load weight of the whirlpool by the perimeter of the rim. The rim perimeter must be adequately supported, but must not support the load weight of the whirlpool.

- If the subfloor is not level, shim the whirlpool support blocks as necessary.

Choose the installation option that best applies to your particular installation. Follow the appropriate instructions.

Option Using a Cement or Mortar Bed

NOTE: Do not use gypsum cement or drywall compound for this application, as they will not provide an acceptable, durable bond.

NOTE: The pump support bracket (when the pump banding straps are cut) and support blocks must rest directly on the subfloor.

- Spread a 2" (5.1 cm) thick layer of cement or mortar on the subfloor where the whirlpool will be set. This will help secure, level, and support the unit. Clear all the material away from the pump support bracket and support block locations.
- Position a piece of plastic drop cloth material on top of the cement or mortar bed. With help, carefully lift the whirlpool into place, and make sure the pump support bracket and support blocks do not rest in the bed material.
- Secure the drain tailpiece to the trap. Ensure the whirlpool is level and resting on all support blocks.
- Remove the protective tape from the rim. Apply a continuous bead of high-quality silicone sealant around the entire rim of the whirlpool.

Option Using Construction Adhesive

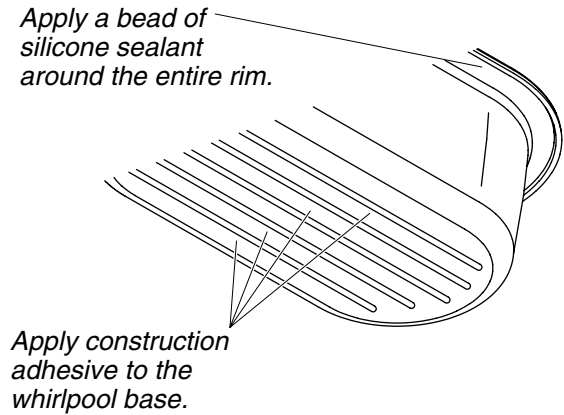
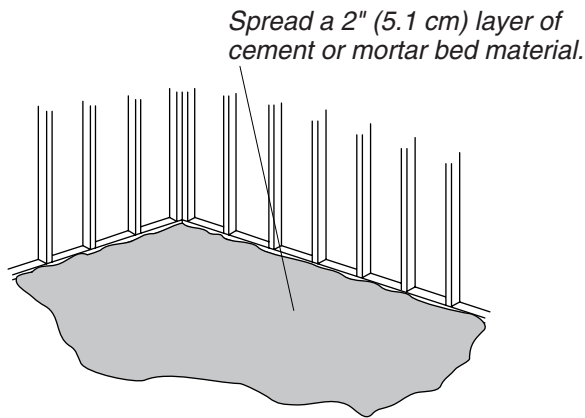
- Apply a generous amount of high-quality construction adhesive to the bottom of the support blocks. With help, carefully lift the whirlpool into position.
- Insert the drain tailpiece into the trap. Ensure the whirlpool is level and resting on all support blocks.
- Remove the protective tape from the rim. Apply a continuous bead of high-quality silicone sealant around the entire rim of the whirlpool.

Option Using Silicone Sealant

- With help, carefully lift the whirlpool into position.

Secure the Unit — Models With Support Blocks (cont.)

- Insert the drain tailpiece into the trap. Ensure the whirlpool is level and resting on all support blocks.
- Remove the protective tape from the rim. Apply a continuous bead of high-quality silicone sealant around the entire rim of the whirlpool.



5. Secure the Unit — Models With Whirlpool Base

NOTICE: Do not lift the whirlpool by the piping or pump, or use the piping or pump for structural support of the whirlpool. To avoid damage to the whirlpool, lift at the sides of the whirlpool.

NOTICE: Do not support the load weight of the whirlpool by the perimeter of the rim. The rim perimeter must be adequately supported, but must not support the load weight of the whirlpool.

Choose the installation option that best applies to your particular installation. Follow the appropriate instructions.

- If the subfloor is not level, shim the whirlpool base as necessary.

Option Using a Cement or Mortar Bed

NOTE: Do not use gypsum cement or drywall compound for this application, as they will not provide an acceptable, durable bond.

- Spread a 2" (5.1 cm) thick layer of cement or mortar on the subfloor where the whirlpool will be set. This will help secure, level, and support the unit.
- Position a piece of plastic drop cloth material on top of the cement or mortar bed. With help, carefully lift the whirlpool into place.
- Insert the drain tailpiece into the trap. Make sure the whirlpool is level. Use screws or lag bolts (not provided) to secure the whirlpool base to the floor. Drill small pilot holes through the whirlpool base as needed.
- Remove the protective tape from the rim. Apply a continuous bead of high-quality silicone sealant around the entire rim of the whirlpool.

Option Using Construction Adhesive

- Apply a generous amount of high-quality construction adhesive to the bottom of the whirlpool base. With help, carefully lift the whirlpool into position.
- Insert the drain tailpiece into the trap. Make sure the whirlpool is level. Use screws or lag bolts (not provided) to secure the whirlpool base to the floor. Drill small pilot holes through the whirlpool base as needed.
- Remove the protective tape from the rim. Apply a continuous bead of high-quality silicone sealant around the entire rim of the whirlpool.

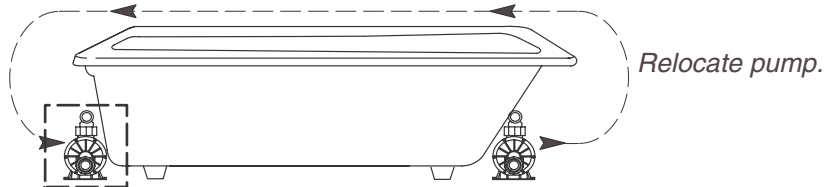
Option Using Silicone Sealant

- With help, carefully lift the whirlpool into position.

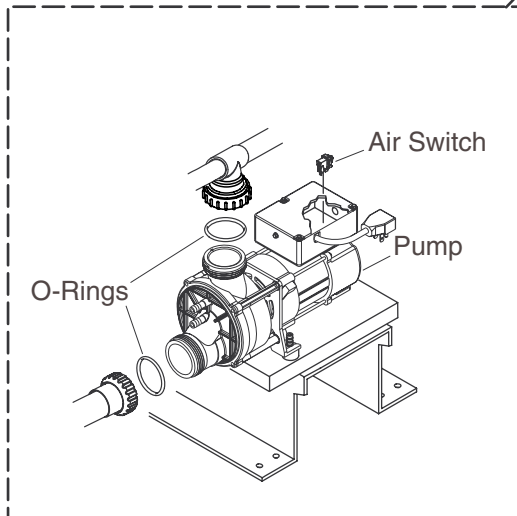
Secure the Unit — Models With Whirlpool Base (cont.)

- Insert the drain tailpiece into the trap. Make sure the whirlpool is level. Use screws or lag bolts to secure the whirlpool base to the floor. Drill small pilot holes through the whirlpool base as needed.
- Remove the protective tape from the rim. Apply a continuous bead of high-quality silicone sealant around the entire rim of the whirlpool.

When installing the pump, make sure to remove the plugs from the inlet and outlet piping.



Provide access to the installed pump for servicing.

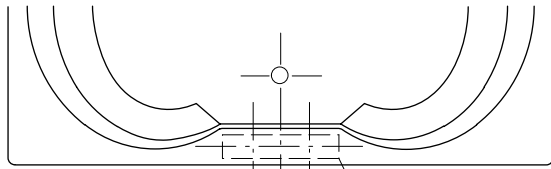


6. Relocate and Mount the Pump

- Relocate the pump and heater (if equipped) next to the customized inlet and outlet connections of the whirlpool harness. The pump may extend beyond the rim of the whirlpool.
- Remove all protective packaging from around the whirlpool harness. Cut only those cable ties supporting the harness attachment nuts.
- Remove the plugs from the pump inlet and outlet openings. Install the O-rings into the grooves on the inlet and outlet connector fittings.
- Set the pump on the support bracket.
- Thread the plastic inlet and outlet attachment nuts onto the pump until the O-rings make initial contact.
- Tighten each nut a quarter turn after initial contact. **Do not overtighten these nuts.**

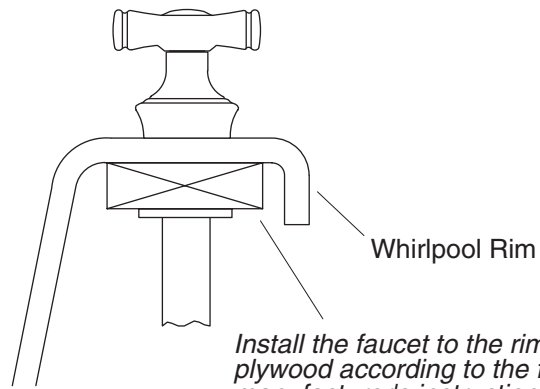
NOTE: Do not shim the pump more than 1/2" (1.3 cm). Raising the pump too high will prevent the pump from priming properly.

- Make sure the whirlpool harness inlet piping (suction line) is pitched downward from the pump toward the suction fitting. This is important so the pump will drain water properly. Shim the pump if necessary to promote proper drainage.
- Secure the pump support bracket with four screws or lag bolts (not provided).
- Connect the air actuator tubing to the air switch on the pump.



4" (10.2 cm)

Measure, cut, and drill a piece of 1/2" exterior grade plywood 4" (10.2 cm) x 11-1/2" (29.2 cm) for the K-1226.



Install the faucet to the rim and plywood according to the faucet manufacturer's instructions.

7. Install the Plumbing



CAUTION: Risk of property damage. A watertight seal must exist on the whirlpool drain. The watertight seal will prevent property damage.

- Connect the drain to the trap according to the drain manufacturer's instructions.

NOTICE: An access panel will simplify future maintenance.

- Install the faucet valving according to the faucet manufacturer's instructions. Do not install the faucet trim until instructed. Open the hot and cold water supplies, and check the supply connections for leakage.
- Run water into the whirlpool, and check the drain connections for leakage.

8. Install a Rim-Mounted Faucet

K-1226 Only

- Measure and cut a piece of 1/2" exterior grade plywood 4" (10.2 cm) x 11-1/2" (29.2 cm) for the K-1226.
- The faucet should be located in the center of the flat area of the rim. Refer to the faucet manufacturer's instructions. Use a pencil to mark the faucet centerlines for drilling.

NOTE: The K-1226 will accept faucets with 4" (10.2 cm) centers.

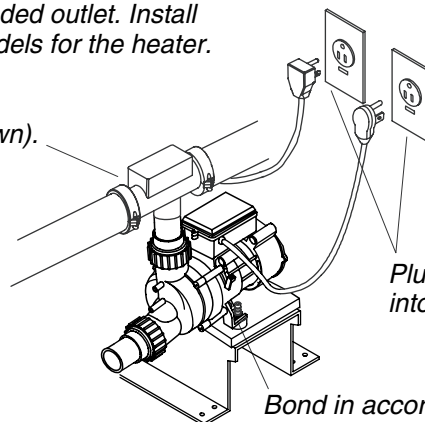
NOTICE: Position a thin piece of cardboard on the finished surface of the whirlpool before clamping the plywood in place. Make sure the clamps do not make direct contact with the finished surface of the whirlpool. This will reduce the risk of damaging the surface of the whirlpool.

- Set a thin piece of cardboard on the finished surface of the whirlpool rim. Position the plywood on the bottom of the rim, and carefully clamp the plywood in place. Make sure the clamps are in contact with the cardboard, not the finished surface of the whirlpool.
- Carefully drill the faucet holes to the size required by the faucet manufacturer. Remove the clamps and cardboard.
- Install the faucet to the rim and plywood according to the faucet manufacturer's instructions.
- Open the hot and cold water supplies, and check the supply connections for leakage.
- Run water into the whirlpool, and check the drain connections for leakage.

Install a GFCI- or RCD-protected 120 V, 15 A grounded outlet. Install a second GFCI- or RCD-protected outlet for "H" models for the heater.

Optional Heater (**models may vary**) either T-style (shown) or water intake (not shown).

Make sure air actuator tubing is securely attached to the pump.



Plug pump and heater into these outlets.

Bond in accordance with applicable codes.

NOTE: Pump model illustrated may differ from your actual product.

9. Make Electrical Connections



WARNING: Risk of electric shock. Make sure the power has been disconnected before performing the following procedures.



WARNING: Risk of electric shock. Connect the pump and in-line heater (if included) to properly grounded, grounding-type receptacles protected by Ground-Fault Circuit-Interrupters (GFCI's) or Residual Current Devices (RCD's). Do not remove the grounding pins from the plug. Do not use grounding adapters.

NOTE: A label identifying the model number and electrical rating of the whirlpool is located near the whirlpool pump.

NOTICE: The pump (supplied) and heater (if supplied) are equipped with a cord and plug. All wiring for the heater has been completed at the factory. A qualified electrician must install a GFCI- or RCD-protected, 120 V, 15 A, grounded outlet. No other load should be on this circuit.

Pump Wiring

- Locate the outlet behind the whirlpool, and within 24" (61 cm) of the pump.
- Plug the pump into this outlet.

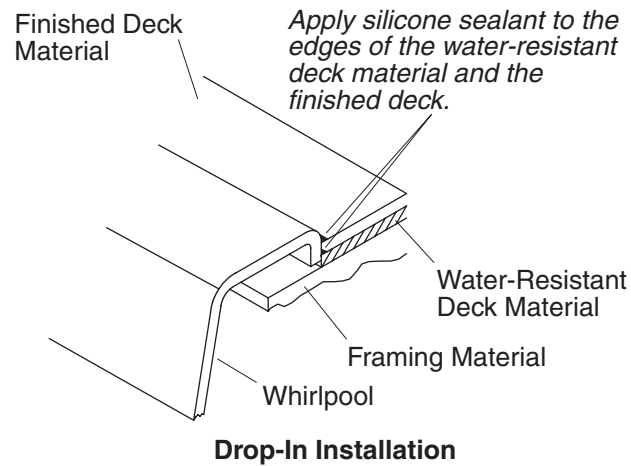
NOTE: Make sure the air actuator tubing is securely attached to the pump, and is not kinked or damaged.

Heater Wiring – "H" Models

- Locate the outlet behind the whirlpool, and within 24" (61 cm) of the heater.
- Plug the heater into this outlet.

10. Test Run the Whirlpool

- Check all electrical connections, and make sure the electrical power to the whirlpool and heater (if equipped) is on.
- Make sure all union connections to the pump and heater are securely hand tightened.
- Verify that the pump banding straps have been cut (if applicable), and that the pump is resting directly on the subfloor or whirlpool base.
- Fill the whirlpool to a level at least 2" (5.1 cm) above the top of the highest jet. Refer to "Confirm Proper Operation" section for additional information.
- Operate the whirlpool for 5 minutes, and check all whirlpool piping connections for leaks.

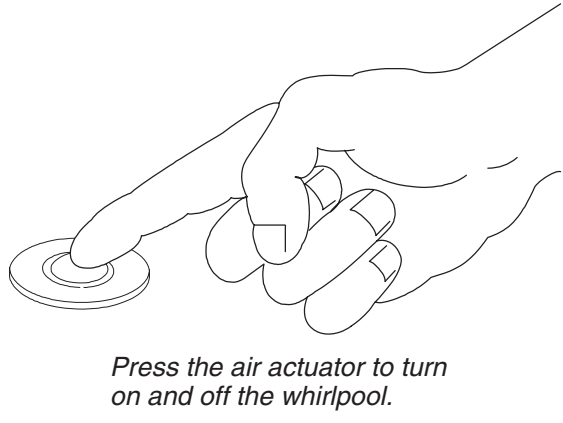
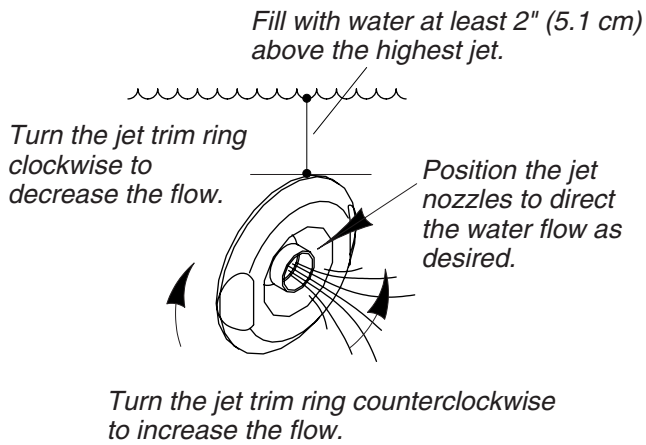


11. Complete the Finished Wall

- If you have not already done so, carefully remove the protective tape from the whirlpool rim.
- Cover the framing with water-resistant wall material.
- Tape and mud the water-resistant wall material. Install the finished wall to the water-resistant wall material.
- Seal the joints between the whirlpool rim and the finished wall material with silicone sealant.
- Install the faucet trim according to the instructions packed with the trim.

12. Clean-Up After Installation

- When cleaning up after installation, **do not use abrasive cleansers**, as they may scratch and dull the whirlpool surface. Use warm water and a liquid detergent to clean the surface.
- Remove stubborn stains, paint, or tar with turpentine or paint thinner. **Do not allow cleaners containing petroleum distillates to remain in contact with any whirlpool surfaces for long periods of time.** Remove plaster by carefully scraping with a wood edge. Do not use metal scrapers, wire brushes, or other metal tools. Use a powder-type detergent on a damp cloth to provide mild abrasive action to any residual plaster.



13. Confirm Proper Operation

Fill the Whirlpool

- Position the jet nozzles so they face down toward the basin. Turn the jet trim rings fully counterclockwise.
- **Fill the whirlpool to a water level at least 2" (5.1 cm) above the top of the highest jet.**

NOTE: The water temperature in the whirlpool should not exceed 104°F (40°C).

- To service orifices insert a pencil into the end of the jet nozzle and push the orifice out. After removing any blockage, check the orifice to make sure it is clear and press it into the jet housing.

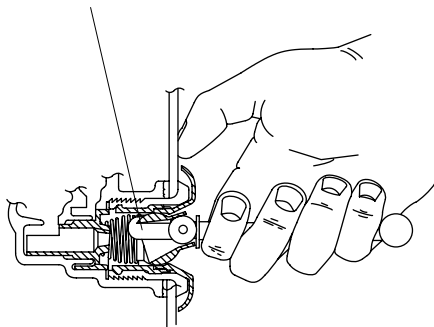
NOTE: Orifices are only installed in whirlpool jets when there are six or more jets in the whirlpool system.

Operating Sequence

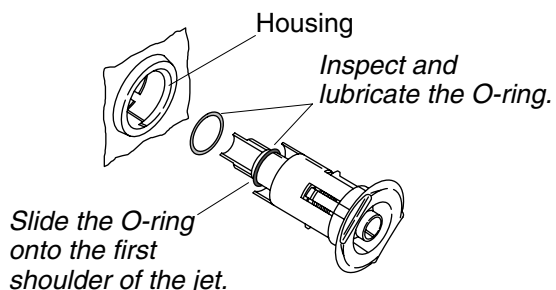
- Press the air actuator to turn on the whirlpool jets.
- Adjust each jet for optimum air/water mixture. Turn the trim ring clockwise to reduce the air flow, and counterclockwise to increase the air flow.
- If equipped with a heater, the heater will engage automatically when the pump is turned on and will disengage when the pump is turned off. The heater will not turn on if the water temperature exceeds 104°F (40°C).
- Press the air actuator a second time to turn off the whirlpool.

Remove the Jets

Insert the tool hook as shown and pull the jet out of the housing. The jet should be facing up when this is done.



Reinstall the Jets



Insert the jet into the housing, and lightly push and rotate until it snaps in position.

Troubleshooting

NOTICE: This section is for general aid only. A Kohler Authorized Service Representative or qualified electrician should correct any electrical problems. For warranty service, contact your dealer or wholesale distributor.

Remove the Jets

NOTE: A special tool is provided with the replacement jets that will allow you to remove the jets from the whirlpool. This tool is also supplied with each trim kit.

- Position the jet ball nozzle so it is pointing upward.

NOTE: The nozzle must remain pointed up or the tool will slip off.

- Insert the removal tool, hooked end up, into the opening of the jet and hook the inside top of the nozzle.
- Grasp the tool firmly and place your thumb against the whirlpool wall. Pull steadily on the tool until the jet assembly pulls free of the hole. Be careful not to lose the O-ring.

Reinstall the Jets

NOTE: To allow easy rotation and proper operation of the jet, the O-ring must be: (1) correctly positioned, (2) lubricated, and (3) in good condition.

- Install the O-ring onto the **first shoulder** of the jet.
- Using the silicone lube packet (provided), lubricate the O-ring to prevent noisy operation of the jet.
- Carefully insert the jet into the housing, then lightly push and rotate the jet until it snaps into position. **Do not force the jet.**
- Verify the jet is installed correctly. The jet should turn smoothly both clockwise and counterclockwise. Remove and reinstall, if necessary.

Troubleshooting (cont.)

Symptoms	Probable Causes	Recommended Action
1. Whirlpool does not start or stop.	<p>A. No power to motor.</p> <p>B. Air hose is loose or disconnected.</p> <p>C. Air hose is pinched or kinked.</p> <p>D. Part(s) of the push button assembly is/are damaged.</p> <p>E. Push button has grease in the bleed area.</p> <p>F. Air hose is damaged.</p> <p>G. Motor/pump does not work.</p>	<p>A. Check that the pump and heater are plugged in and that the GFCI or RCD is switched to the correct position. Plug in or reset the GFCI/RCD as needed.</p> <p>B. Check that the hose is connected at both the receiver/pump end and to the air switch. Reconnect if needed.</p> <p>C. Adjust hose to clear the pinched/kinked area. If the tubing is pinched/kinked and cannot be readjusted, or no noticeable pinch/kink is apparent, poke a small hole in the tubing with a tack and try the system again.</p> <p>D. Replace the push button assembly.</p> <p>E. Disassemble the push button assembly and wipe away any excess grease. Reassemble the button and retry the system.</p> <p>F. Replace the air hose.</p> <p>G. Rebuild or replace motor/pump.</p>
2. Motor starts, not all jets are functioning.	<p>A. Jet is closed.</p> <p>B. Jet not installed correctly.</p> <p>C. Jets are blocked.</p>	<p>A. Rotate jet trim ring counterclockwise to open.</p> <p>B. Reinstall jet; check for O-ring damage.</p> <p>C. Remove blockage.</p>
3. Whirlpool stops automatically before 18 minutes.	<p>A. The GFCI or RCD trips.</p> <p>B. Suction blocked.</p> <p>C. Jets are blocked.</p> <p>D. Motor overheated and protection device activated.</p>	<p>A. Identify source of fault, and correct.</p> <p>B. Remove obstruction.</p> <p>C. Remove blockage.</p> <p>D. Check for blockage at motor vents. Remove blockage and allow motor to cool. Check for suction blockage. Remove blockage and allow motor to cool. Check for jet blockage. Remove blockage and allow motor to cool.</p>
4. Pump does not prime. (Models with support blocks only.)	<p>A. Pump shimmed too high.</p>	<p>A. Lower pump support bracket.</p>
5. Noisy operation.	<p>A. Pump banding straps have not been cut. (Models with support blocks only.)</p> <p>B. Jet O-ring dislodged.</p>	<p>A. Cut pump banding straps with tin snips.</p> <p>B. Remove jet, replace and lubricate O-ring, and reinstall jet.</p>
6. Heater does not operate. ("H" models only)	<p>A. No power to heater.</p> <p>B. Water temperature exceeds 104°F (40°C).</p> <p>C. Heater does not work.</p>	<p>A. Reset the GFCI or RCD.</p> <p>B. Allow water to cool and heater will reengage.</p> <p>C. Replace heater.</p>