

User's Manual

825CA

**MP3-COMPATIBLE
IN-DASH CD RECEIVER
WITH FRONT PANEL AUX INPUT**



825CA
MP3-COMPATIBLE IN-DASH CD RECEIVER
WITH FRONT PANEL AUX INPUT

01.2010

tech support: www.bosssaudio.com/support

BOSS[®]
AUDIO SYSTEMS

BOSS[®]
AUDIO SYSTEMS

BOSS Audio Systems • 3451 Lunar Court • Oxnard, CA 93030
www.bosssaudio.com
800.999.1236



10 R - 02 1397

1. BUTTONS LOCATION AND FUNCTIONS



EN

1. Panel Release Button
2. Power / Mute Button
3. CD Eject Button
4. Audio Button
5. Display Button / ID3 Information Button
6. Local / Distant Button
7. Preset Memory Buttons
8. iX-Bass Button
9. Source Button
10. Volume Knob
11. Automatically Store / Preset Scan Button
12. Band/Loudness Button / MP3 Enter Button
13. Tuning Up/Down & Track Up / Down Buttons
14. Remote Control Receiver
15. Preset Equalizer Button
16. Aux In Jack

PT

1. Tecla para remover o painel frontal
2. Tecla Ligar/desligar & Tecla Mute
3. Tecla para ejetar o disco
4. Tecla de ajuste de audio
5. Tecla Display / informação MP3-ID3
6. Tecla Local/Distante
7. Teclas de memória de estações
8. Função iX-BASS
9. Tecla Source
10. Controle de volume
11. Memorização automática (As) / Preset Scan (Ps)
12. Tecla Banda / Loudness / MP3 Enter
13. Teclas de sintonização de estações / mudança de faixas de música
14. Tecla Equalizador pré-programado
15. Sensor do controle remoto
16. Entrada Auxiliar

DE

1. Entriegel-Taste Bedienteil
2. Stumm-Taste / Einschalt-Taste
3. CD-Auswurf-taste
4. Audio-Taste
5. Display- / ID3-Taste
6. Local / Distant-Taste
7. Senderspeichertasten
8. iX-Bass-Taste
9. Source-Taste
10. Lautstärkenregler
11. AMS Taste / MP3 Suchlauf Taste
12. Frequenzband-Taste / MP3 Eingabe-Taste
13. Titel AUF / AB - Taste
14. Fernbedienungs-Taste
15. PEQ-Taste
16. Front-Audio-Anschluss

ES

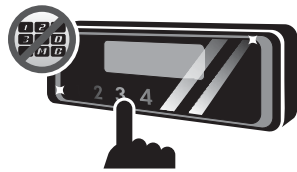
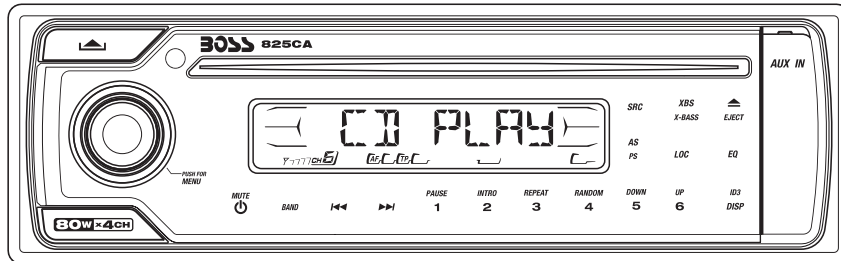
1. Extracción del panel frontal
2. Silenciamiento rápido / Encendido/Apagado
3. Apertura del panel motorizado y expulsión del disco
4. Tecla Audio
5. Selección información Display/ID3 TAG muestra
6. Botón Distancia/Local
7. Botones de estaciones memorizadas
8. Botón iX-Bass
9. Selección modos Radio/CD/Entrada auxiliar
10. Botón De Volumen
11. Memorización Automática de emisoras / selección de memorias
12. Selector Bandas / Bajos/MP3
13. Botón de selección de emisoras & banda de música
14. Receptor de control remoto
15. Tecla de ecualización
16. Entrada de auxiliar

FR

1. Bouton De Déclenchement Du Panneau
2. Bouton D'assourdissement / Bouton D'alimentation
3. Bouton Éjection D'un Cd
4. Bouton De Sélection Audio / Entrée De MP3
5. Bouton D'écran / Affichage D'information Sur Les Disques MP3
6. Bouton Local/distant
7. Boutons Des Stations Préréglées (m1 ~m6)
8. Bouton De iX-Bass
9. Bouton De Régime
10. Bouton De Volume
11. Bouton De Stockage Des Stations Dans La Mémoire
12. Bouton De Bande / Entrée De MP3
13. Bouton De Recherche Des Stations/pistes : En Avant / En Arrière
14. Récepteur De La Commande À Distance
15. Bouton De PEQ
16. Aux A Jack

IT

1. Tasto Rilascio Frontalino
2. Tasto Mute / Tasto Power
3. Tasto Eject
4. Audio Controlla
5. Tasto Display/ID3 (informazioni)
6. Bottone Distante Locale
7. Tasti Stazioni Memorie Preimpostate
8. Bottone Bassi
9. Tasto Mode
10. Tasto Volume
11. Tasto Menu / AS/PS
12. Tasto Banda/Forte & Enter MP3
13. Tasto sintonizzazione su/gui & traccia su/gui
14. Destinatario di controllo remoto
15. Bottone di equalizzatore preprogrammato
16. Entrada Aux



BUTTON LESS TOUCH PAD PANEL

This radio is equipped with the most advanced "TOUCH SENSE PANEL", so that it is easy and convenient to use while driving.

Tips Here are some tips to show you how easy it is to use this touch sense panel:

- Using a very light touch on the radio panel will activate that feature. You will not need to "PRESS" hard on the panel to make this radio change features.
- The power button along with some of the buttons that have dual functions, will need to be "TOUCHED" from 2 to 3 seconds to make the change.
- The best area to "TOUCH" on the panel to make it activate is the illuminated or lighted area. For example, just touch for 2 to 3 seconds the illuminated power symbol and the unit will turn on or off.

2. HANDLING COMPACT DISCS

MOISTURE CONDENSATION

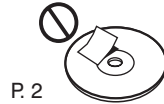
On a rainy day or in a very damp area, moisture may condense on the lenses inside the unit. Should this occur, the unit will not operate properly. In such a case, remove the disc and wait for about an hour until the moisture has evaporated.

NOTES ON CDS

1. A dirty or defective disc may cause sound dropouts while playing. To enjoy optimum sound, handle the disc as follows.
Handle the disc by its edge. To keep the disc clean, do not touch the surface (P.1).



2. Do not stick paper or tape on the disc (P.2).



3. Do not expose the discs to direct sunlight or heat sources such as hot air-ducts, or leave them in a car parked in direct sunlight where there can be a considerable rise in temperature inside the car (P.3).



4. Before playing, clean the discs with an optional cleaning cloth. Wipe each disc from the centre out (P.4).



5. Do not use solvents such as benzene, thinner, commercially available cleaners, or antistatic spray intended for analog discs.

NOTES ON DISCS

If you use the discs explained below, the sticky residue can cause the CD to stop spinning and may cause malfunction or ruin your discs.

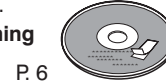
Do not use second-hand or rental CDs that have a sticky residue on the surface (for example, from peeled-off stickers or from ink, or glue leaking from under the stickers).

**There are paste residue.
Ink is sticky (P.5).**



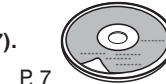
Do not use rental CDs with old labels that are beginning to peel off.

**Stickers that are beginning
to peel away, leaving a
sticky residue (P.6).**



Do not use your CDs with labels or stickers attached.

Labels are attached (P.7).



Do Not Use Special Shape CDs

Be sure to use round shape CDs only for this unit and do not use any special shape CDs. Use of special shape CDs may cause the unit to malfunction.(P.8).



Be sure to use CDs with disc mark CD-Rs and CD-RWs which have not undergone finalization processing cannot be played. (For more information on finalization processing, refer to the manual for your CD-R/CD-RW writing software or CD-R/CD-RW recorder.) Additionally, depending on the recording status, it may prove impossible to play certain CDs record on CD-R or CD-RW.

3. INSTALLATION

- Before finally installing the unit, connect the wiring temporarily and make sure it is all connected up properly and the unit and system work properly.
- Use only the parts included with the unit to ensure proper installation. The use of unauthorized parts can cause malfunctions.
- Consult with your nearest dealer if installation requires the drilling of holes or other modifications of the vehicle.
- Install the unit where it does not get in the driver's way and cannot injure the passenger if there is a sudden stop, like an emergency stop.
- If installation angle exceeds 30° from horizontal, the unit might not give its optimum performance.



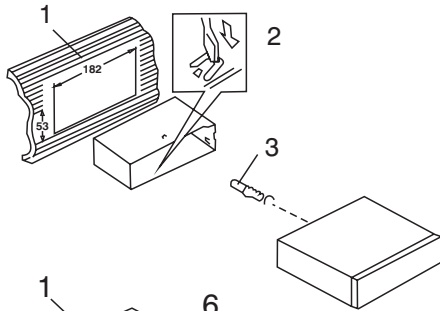
- Avoid installing the unit where it would be subject to high temperature, such as from direct sunlight, or from hot air, from heater, or where it would be subject to dust dirt or excessive vibration.
- Be sure to remove the front panel before installing the unit.

DIN FRONT/REAR-MOUNT

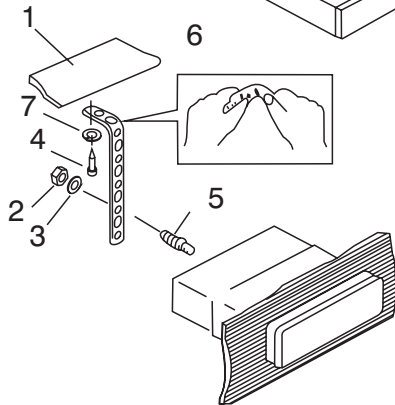
This unit can be properly installed either from "Front" (conventional DIN Front-mount) or "Rear" (DIN Rear-mount installation, utilizing threaded screw holes at the sides of the unit chassis). For details, refer to the following illustrated installation methods A and B.

DIN FRONT-MOUNT (Method A)

Installation the unit

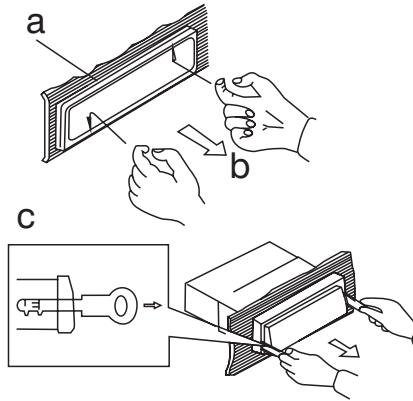


1. Dashboard
2. Holder
After inserting the half sleeve into the dashboard, select the appropriate tab according to the thickness of the dashboard material and bend them inwards to secure the holder in place.
3. Screw



1. Dashboard
2. Nut (5mm)
3. Spring washer
4. Screw (4x12mm)
5. Screw
6. Support Strap
Be sure to use the support strap to secure the back of the unit in place. The strap can be bent by hand to the desired angle.
7. Plain washer

Removing the unit



- a. Frame
- b. Insert fingers into the groove in the front of frame and pull out to remove the frame. (When re-attaching the frame, point the side with a groove down wards and attach it.)
- c. Insert the levers supplied with the unit into the grooves at both sides of the unit as shown in figure until they click. Pulling the levers makes it possible to remove the unit from the dashboard.

Trim Plate Installation:

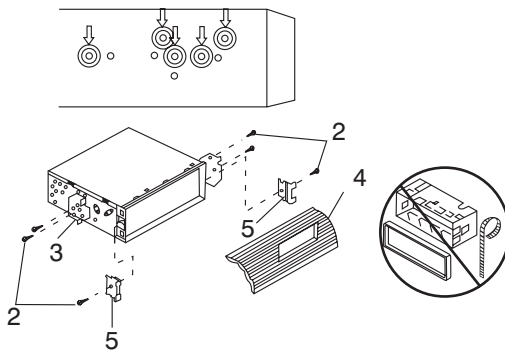
Push the trim plate against the chassis until it is fitted.

You must do this before you install the front panel, otherwise it can't be attached.

DIN REAR-MOUNT (METHOD B)

Installation using the screw holes on the sides of the unit.

Fastening the unit to the factory radio mounting bracket.



1. Select a position where the screw holes of the bracket and the screw holes of the main unit become aligned (are fitted) and tighten the screws at 2 places on each side.
2. Screw
3. Factory radio mounting bracket.
4. Dashboard or Console
5. Hook (Remove this part)

Note: the mounting box, outer trim ring, and half-sleeve are not used for method B installation.

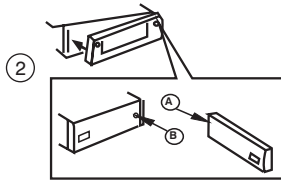
4. DETACHABLE CONTROL PANEL (D.C.P.)

Removing The Detachable Control Panel (D.C.P.)



1. Turn the power off
2. Press the D.C.P. release button
3. Remove the D.C.P.

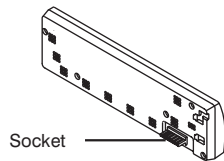
Attaching the DCP



1. Attach the panel at the right side first, with point B on the main unit touching point A on the D.C.P. (As shown on the diagram).
2. Then press the left side of D.C.P. onto the main unit until a "click" sound is heard.

CAUTION

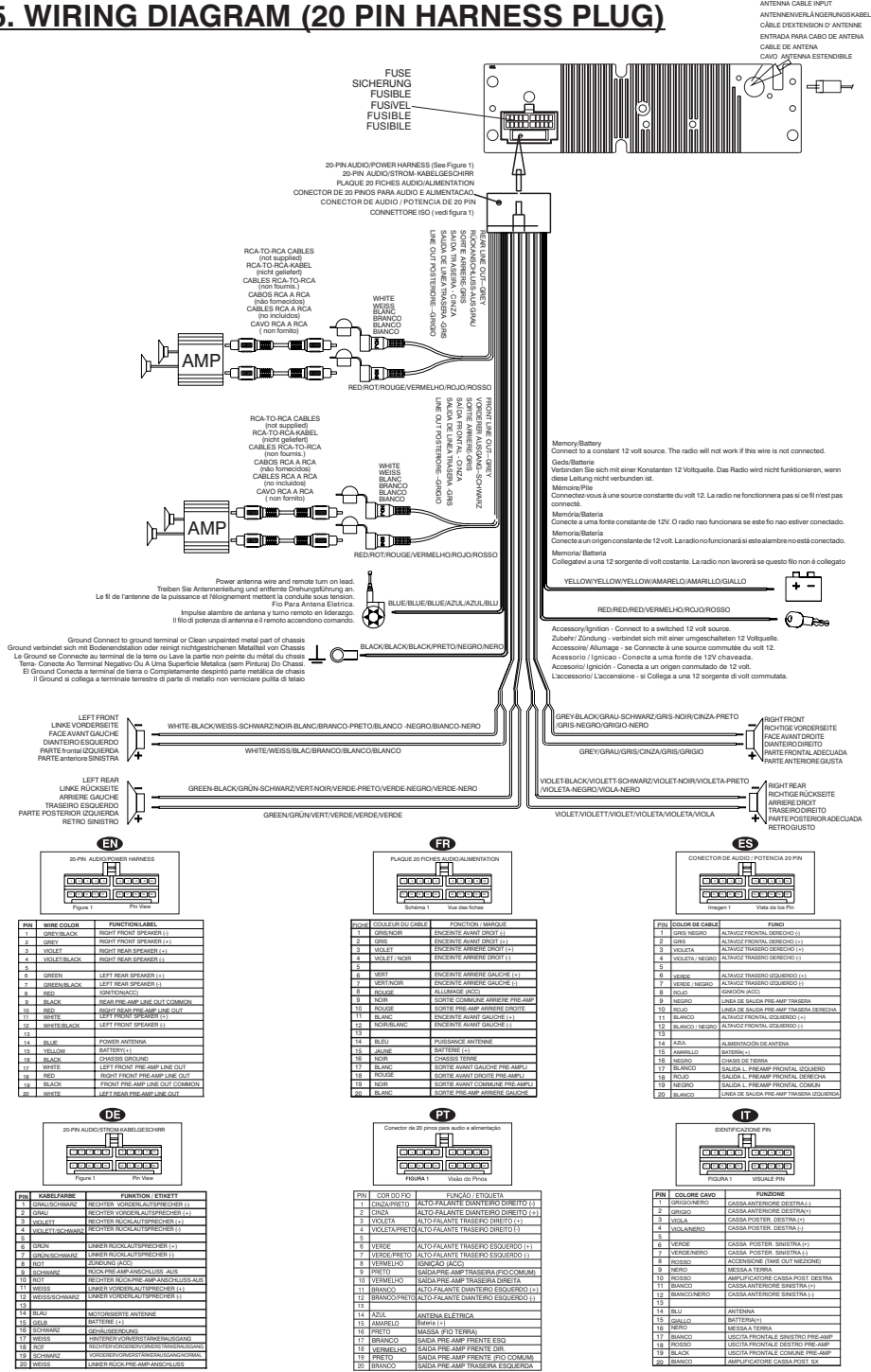
- DO NOT insert the D.C.P. from the left side. Doing so may damage it.
- The D.C.P. can easily be damaged by shocks. After removing it, place it in a protective case and be careful not to drop it or subject it to strong shocks.
- When the release button is pressed and the D.C.P. is unlocked, the car's vibrations may cause it to fall. To prevent damage to the D.C.P, always store it in a protective case after detaching it.
- The rear connector that connects the main unit and the D.C.P. is an extremely important part. Be careful not to damage it by pressing on it with fingernails, pens, screwdrivers, etc.



Note:

If the D.C.P. is dirty, wipe off the dirt with soft, dry cloth only. And use a cotton swab soaked in isopropyl alcohol to clean the socket on the back of the D.C.P.

5. WIRING DIAGRAM (20 PIN HARNESS PLUG)



6. BASIC OPERATIONS

1) PANEL RELEASE BUTTON (REL)

Press this button to remove the control panel.

13) POWER ON/OFF BUTTON (⊕)

Press the POWER button on the front of the unit to turn on the unit. Long press the POWER button to turn Off the unit.

13) MUTE BUTTON (MUTE)

Short Press the MUTE button to mute the audio output, and "Mute" will appear on the display. Press the mute button again to restore the audio output to the previous level.

11) DISP BUTTON(DISP)

Press this button briefly, the LCD will display the clock for about 5 seconds, then return to previous display mode.

2) ENCODER VOLUME KNOB

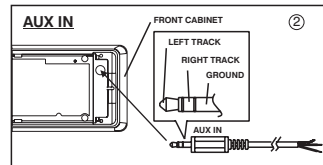
Turn this knob to adjust desired volume level.

12) SOURCE BUTTON (SOURCE)

- Press this button to select different mode , sequence as follow:
 - A) Tuner mode (Radio)
 - B) CDP / MP3 (only if a CD or MP3 disc is inserted)
 - C) AUX IN (optional, only if this unit with this features)

17) FRONT PANEL AUX-IN JACK

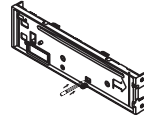
Connect the external signal to AUX in jack located at the front of the panel , then press Mode button to select Aux mode. Press Mode Button again to cancel Aux Mode and return to previous mode.



RESET BUTTON

The RESET button is located on the main unit (as shown on the diagram). To press it vertically with a ballpoint pen or metal object will activate it. The reset button is to be activated for the following reasons:

- Initial installation of the unit when all wiring is completed.
- All the function buttons do not operate.
- Error symbol on the display.



Note: If press RESET button, the unit still cannot function normally, please use a cotton swab soaked in isopropyl alcohol to clean the socket on the back of the control panel.

7. MENU OPERATIONS

To use this function keep press short **AUDIO/MENU** Button for few seconds, each time you press this button the mode will move and the functions will shown on the display, turn the **encoder volume knob up/ down** to set the desires functions ,the function states as following:

BASS (Bass level)

Turn the encoder volume knob to adjust the desired Bass level range from -10 to +10, the default is "0".

TREBLE (Treble level)

Turn the encoder volume knob to adjust the desired Treble level range from -10 to +10, the default is "0".

BALANCE

Rotate the encoder volume knob to adjust the Balance between the right and left speakers from R10 to L10, the "C00" is default.

FADER

Rotate the encoder volume knob to adjust the Fader between the front and rear speakers from F10 to R10, the "C00" is default.

TIME SET (CLK)

The time on the clock is set to "12:00" by default, Rotate the encoder volume knob to adjust the minutes and hours.Press AUDIO/MENU button to select the hour or minute.

Note: Time format can not to set up, it should be follow the tunner area to change, when is in U.S.A Latin then the time in 12H by default, when is in Europe Latin then the time in 24H by default.

Programmable Turn-on Volume (P-VOL)

This option allows selection of the volume level the radio will automatically assume when first turned on. " P - VOL 40 " is the default setting, which will turn the radio on at the volume level selected when the unit was last turned off. To program a specific volume level for the radio to turn on at, rotate the volume control to select "VOLUME LEVEL". Within 5 seconds.

BEEP ON / OFF

Rotate the encoder volume knob to select Beep On / Off option.

Beep Off: disable audible beep tone when any function is accessed.

Beep On: enable audible deep tone.

16) PRESET EQUALIZER BUTTON (EQ)

Press this button to toggle the following EQ setting:

POP -> JAZZ -> CLAS -> BEAT ->ROCK -> DSP OFF

At DSP OFF mode, EQ will be controlled by Bass/Treble setting.

15) iX-BASS BUTTON

Press the iX-BASS button to switch the loudness on or off. When Loudness is on,display will show 'Loud On' for a few seconds.

8. RADIO OPERATIONS

9) RADIO SIGNAL STRENGTH METER (RSLM)

This is use to indicate the signal strength of current radio station broadcast. When you choose RADIO mode, it will show on the display.



7) STATION PRESET BUTTONS (M1-M6)

- 1.Press these buttons briefly to recall the stored stations in the selected band.
- 2.Presetting stations manually, Press the BAND button to select the band for the station to be preset. Use Tuning Up/Down to tune in the stations to be preset. Press the Preset button at which you want to store the station for at least 2 second. The preset number will appear on the display accompanied by a beep, this indicate that the station has been stored into memory.

8) TUNING / SEEK UP AND TUNING / SEEK DOWN BUTTONS

- 1.Press these buttons briefly will operate AUTO SEARCH tuning mode, the radio will tune up or down to the next station and remain on the frequency.
- 2.Press these buttons more than 2 seconds, operate as MANUAL SEARCH buttons, under this mode the tuning frequency will advance up or down rapidly when the button is pressed. If the buttons are not pressed within 3 seconds, they will return to auto search mode.

5) LOCAL/DISTANT BUTTON (LO/DX)

During station tuning, this button allows you prior to access strong local station only (Local mode), or to access a wider range of using distant mode (DX). When power up DX mode will be selected automatically; Press LOC button briefly to select Local mode and "LOCAL" symbol on the LCD will light up for a few seconds.

10) AUTO MEMORY STORE/PRESET SCAN BUTTON (AMS)

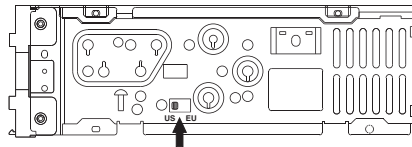
- 1.PRESET SCAN: Press AMS button briefly enter Preset Scan mode, it will scan all the preset stations in the memories, you can hear that will stay on each station for about 5 seconds.
- 2.AUTO MEMORY STORE: Press AMS button long to enter Auto Store mode, this feature will automatically scan the current band and enter up to 6 strongest stations into the 6 preset memories. To stop Auto Store & Scan, press the AMS button again.

14)BAND BUTTON (BAND)

Press BAND button to change between Fm1, FM2, FM3 & AM/MWbands.

DUAL FREQUENCY SWITCH

Unit is defaulted in U.S.A frequency, if EURO frequency is required, a sharp pen is needed to switch the button on the left side of the chassis to EURO frequency.



9.CD OPERATIONS

4) CD SLOT

Insert the disc into CD slot. The CD will begin to play.

M1) PAUSE BUTTON (PAU)

Press this button to pause CD play, press again to release pause.

M2) SCAN BUTTON (INT)

Press this button, the first 10 seconds of each track will be played sequentially until this button is pressed again, then normal play will resume at the current track.

M3) REPEAT BUTTON (RPT)

Press this button, the current track will be played repeatedly until this button is pressed again.

M4) RANDOM PLAY BUTTON(RDM)

Press this button to play all tracks on CD in random. Press again to deactivate it.

6) EJECT BUTTON (△)

Press this button to eject the CD from the unit. The receiver will switch to radio mode automatically.

8) TRACK UP AND TRACK DOWN BUTTON

Press the Track Up Button to skip to the next track or previous track. Press the Track Down button during play will return to the beginning of the current track, press it one more time to skip to previous skip. Press and hold Track Up/Down Button to fast forward or fast reverse. CD player starts when you release the button.

10.MP3/WMA OPERATIONS(ENCODER VERSION)

Notes :

This unit support :

MPEG1/2/2.5/ Layer 2/3

WMA Version 7/8/9

Sampling frequency

- MPEG1 : 32/44.1/48 KHz
- MPEG2 : 16/22.05/24 KHz
- MPEG2.5 : 8/11.025/12KHz
- WMA : 22/32/44/48KHz

Sampling But rate

- MP3/WMA : 32~320Kbps & VBR

CDROM Mode 1 / 2

ISO9660 Level 1 / 2 & Joliet(unicode)

Max File/DIR. Count : 255

Max DIR. Depth : 255

Sorting Method : Tree sorting


Max File/DIR. Name : 64Byte


ID3 V1.0/1.1/2.0/2.3(Max 32Byte)

- An MP3 directory is shown in this manual as "Directory", and an MP3 file is shown as "Track".
- Maximum length of file name : 28 characters.
- Maximum length of directory : 16 characters.
- Supports Multi-Session recording.
- Supports CD, CDR and CDRW.
- Disc written by Packet Write (UDF) is not supported.

LOADING DISC

Insert the CD as usual, if it is an MP3 CD, the display will show "MP3 T01" then the message "READING" will appear, when disc scanning completed, the first track on the first directory will play.

NOTE: 1)  ICON turns on when a MP3 disc is playing.

2)  ICON is blinking when under directory/Files search mode.

NAVIGATING THROUGH DIRECTORIES AND TRACKS

NOTE: MP3 Directory / Track selection can be done by Encoder Volume Knob or Tune Up / Down Buttons Both operations will be described. But Encoder Volume Knob is available on some models only. Please skip this description if your model is not equipped with this feature.

THERE ARE FOUR WAYS TO SELECT YOUR FAVORITE TRACK / DIRECTORY

A) SEARCHING TRACK DIRECTLY

Under MP3 play mode, press MP3 MENU BUTTON once, the display shows "MP3 T*", enter the desired track number directly, then press MP3 ENTER BUTTON to confirm.

SEARCH TRACK NUMBER BY USING ENCODER VOLUME KNOB

Rotate the ENCODER VOLUME KNOB to scroll through the numbers, then press MP3 ENTER BUTTON to confirm.

B) SEARCHING BY DIRECTORY OR TRACK NAME

(1) SEARCH DIRECTORY / TRACK NAME BY USING TUNE UP / DOWN BUTTON

Under MP3 Play Mode, press MP3 MENU BUTTON twice, the display shows " * ", enter the character directly. The unit searches files and directories which have the same character which is inputted by the user. The unit shows these sorted files and directories by TUNE UP / DOWN Button (TUNE DOWN First). If the selected name is directory, the user can go into the selected directory by press Mp3

ENTER BUTTON and continue to search the directory or file name in the directory by TUNE UP / DOWN Button (TUNE DOWN First). The selected file can be played by pressing MP3 Enter Button

The distribution of alphabetical characters are listed as follow :

Button	M1	M2	M3	M4	M5	M6	MODE	TUNE DN	TUNE UP	DISP	SEL	VOL UP/DN
Character	A,B,C	D,E,F	G,H,I	J,K,L	M,N,O	P,Q,R	S,T,U	V,W,X	Y,Z, Space	_,-,+	Move Cursor	Next/Previous Character

(2) SEARCH DIRECTORY / TRACK NAME BY USING ENCODER VOLUME KNOB

Under MP3 Play Mode, press MP3 MENU BUTTON twice, the display shows “ * “. Rotate the ENCODER VOLUME KNOB for selecting the character. In this Encoder Search mode, SELECT button use as move cursor. Press BAND button use as MP3 CONFIRM BUTTON. The unit searches files and directories which have the same character which is inputted by the user. The unit shows these sorted files and directories by ENCODER VOLUME KNOB (ROTATE ANTI-CLOCKWISE First). If the selected name is directory, the user can go into the selected directory by press MP3 CONFIRM BUTTON and continue to search the directory or file name in the directory by ENCODER VOLUME KNOB (ROTATE ANTI-CLOCKWISE First) The selected file can be played by pressing MP3 ONFIRM BUTTON.

(C) SEARCHING FROM DIRECTORY

(1) SEARCH DIRECTORY BY USING TUNE UP / DOWN BUTTON.

Under MP3 play mode, press MP3 MENU BUTTON three times, Then the first Directory name is shown. Press TUNE UP/DOWN (TUNE DOWN FIRST) to navigate through the directory list, press MP3 ENTER BUTTON to select the desired directory. The display will show “ \ \ “. To select the tracks under the selected directory, by pressing TUNE UP/DOWN Buttons (TUNE DOWN FIRST) then press MP3 ENTER BUTTON to confirm when desired track is found.

(2) SEARCH DIRECTORY BY USING ENCODER VOLUME KNOB

Under MP3 play mode, press MP3 MENU BUTTON three times, Then the first Directory name is shown. Rotate ENCODER VOLUME KNOB (ROTATE ANTI-CLOCKWISE First) to navigate through the directory list, press MP3 ENTER BUTTON to select the desired directory. The display will show “ \ \ “. To select the tracks under the selected directory, by Rotate ENCODER VOLUME KNOB (ROTATE ANTI-CLOCKWISE First) then press MP3 ENTER BUTTON to confirm when desired track is found.

(D) NAVIGATING THROUGH DIRECTORY BY USING M5/M6 BUTTON

Press directory up (M6) or directory down (M5) buttons to skip the current directory forward or backward by one position.

In a multi-level directories disc, the movement will take place at the current level until the last directory is reached. At this point press directory down (M5) again , it will move to the next level of directory.

ID3 TAG

Press DISPLAY button repeatedly to Display ID3 TAG information.

If the MP3 file is available with ID3 TAG, pressing the display button repeatedly will show information in the following sequence:

SONG TITLE > ARTIST> ALBUM TITLE

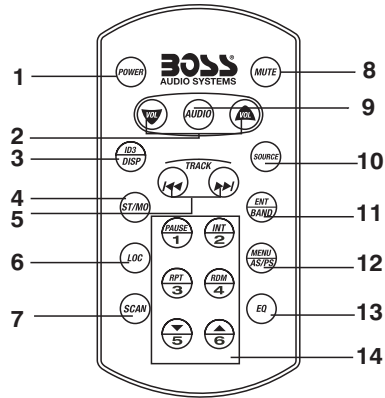
If any of the ID3-TAG information is not available, pressing the DISPLAY button repeatedly will show information in the following sequence:

UNKNOWN SONGNAME> UNKNOWN ARTIST> NO ALBUM TITLE

If the MP3 file is without ID3 TAG, pressing the DISPLAY button, & “NO ID3 TAG” will be displayed.

The file name & track number of the MP3 file will scroll repeatedly through the display during the playing of the MP3 file.

11.REMOTE CONTROL



OPERATIONS:

Key	Radio Mode	CD Player Mode	MP3/USB/SD Mode
1. Power (⏻)	Power On/Off	Power On/Off	Power On/Off
2. Volume Up/Down	Adjust Vol, Bas, Tre, Fad, Bal	Adjust Vol, Bas, Tre, Fad, Bal	Adjust Vol, Bas, Tre, Fad, Bal
3. ID3/DISP	Display Clock	Display Clock	ID3 tag information Display Clock, Numeric key 0*
4. Stereo/Mono	Stereo/FM Mono	No Function	No Function
5. Tuning Up/Down	Tuning/Seek Up/Down	Track Up/Down	Track Up/Down/ Numeric key 8*9*
6. LOC	Local/Distant	No Function	No Function
7. Scan	Station Scan	No Function	No Function
8. Mute	Mute	Mute	Mute
9. Audio	Bas, Tre, Bal, Fad, P-vol, Beep	Bas, Tre, Bal, Fad, P-vol, Beep	Bas, Tre, Bal, Fad, P-vol, Beep
10. Source	Change to CD/MP3 or AUX IN	Change to Radio or AUX IN	Change to Radio or AUX IN/ Numeric key 7*
11. Band/Enter	Band	No function	MP3 Enter
12. AS/PS/Menu	Auto Store/Preset Scan	No function	Menu function
13. EQ	Preset EQ	Preset EQ	Preset EQ
14. Numeric Key(1)	Preset station 1	Pause	Pause
(2)	Preset station 2	CD scan	CD scan
(3)	Preset station 3	Repeat	Repeat
(4)	Preset station 4	Shuffle	Shuffle
(5)	Preset station 5	No Function	Folder Down
(6)	Preset station 6	No Function	Folder Up

12. SPECIFICATIONS

EN

CD PLAYER

System	Compact disc audio system
Usable disc	Compact disc
Sampling frequency	44.1KHz
No of quantization bits	1bit
Frequency	5-20,000Hz
Number of channels	2 channels
S/N Ratio	70dB

RADIO SECTION

FM

Frequency Range	87.5-107.9MHz 87.5-108MHz
Intermediate Frequency	10.7 MHz
Usable Sensitivity	Better than 15dB at S/N 30 dB
Stereo Separation	25 dB at 1KHz
S/N Ratio	50 dB

AM/MW

Frequency Range	530-1710KHz 522-1620KHz
Intermediate Frequency	450KHz
Usable Sensitivity	Better than 45dB
S/N Ratio	40 dB

GENERAL

Power Supply	DC 11-14V
Polarity	Negative Ground
Speaker impedance	4 ohms
Power Output	4x 80 Watts

REMARK :

Specifications subject to change without notice.

DE

CD PLAYER

System	Compact Disc Audio System
Abspielbare Discs	Compact Disc
Sampling-Frequenz	44,1 kHz
Anzahl Quantisierungsbits	1 bit
Frequenz	5-20,000Hz
Anzahl Kanäle	2 Kanäle
Signalrauschabstand	70 dB

RADIOTEIL

FM

Frequenzbereich	87.5-107.9MHz 87.5-108MHz
Zwischenfrequenz	10.7 MHz
Nutzbare Empfindlichkeit	Besser als 15 dB bei einem Signalrauschabstand von 30 dB
Stereotrennung	25 dB bei 1 kHz
Signalrauschabstand	50 dB

AM/MW

Frequenzbereich	530-1710KHz 522-1620KHz
Zwischenfrequenz	450KHz
Nutzbare Empfindlichkeit	Besser als 45 dB
Signalrauschabstand	40 dB

ALLGEMEINES

Stromversorgung	DC 11-14 V
Polarität	Erde negativ
Lautsprecherimpedanz	4 Ohm
Ausgangsleistung	80 W x 4

ANMERKUNG:

Technische Änderungen ohne Meldepflicht vorbehalten.

FR

LECTEUR CD

Système	Compact disc audio system
Disques utilisables	Compact disc
Fréquence échantillonnage	44,1KHz
Nbre de quantisation bits	1bit
Fréquence	5-20,000Hz
Nombre de canaux	2 canaux
Ratio S/B	70dB

SECTION RADIO

FM

Gamme de fréquences	87.5-107.9MHz 87.5-108MHz
Fréquence intermédiaire	10.7 MHz
Sensibilité utilisable	Plus de 15dB à S/B 30 dB
Séparation stéréo	25 dB à 1KHz
Ratio S/B	50 dB

AM/MW

Plage de fréquences	530-1710KHz 522-1620KHz
Fréquence intermédiaire	450KHz
Sensibilité utilisable	Supérieure à 45 dB
Rapport Signal/Bruit	40 dB

GENERAL

Alimentation	11-14V DC
Polarité	Masse / négative
Résistance des enceintes	4 ohms
Puissance de sortie	80W x 4

REMARQUE :

Les spécifications sont susceptibles d'être modifiées sans préavis.

PT

CD Player

Sistema:	Sistema áudio CD
Tipo de disco:	CD
Frequência de Amostragem:	44.1KHz
Conversor D/A:	1bit
Resposta de frequência	5-20,000Hz
Número de canais:	2 canais
Relação sinal/ruído:	70dB

Rádio FM

Faixa de Frequencia:	87.5-107.9MHz 87.5-108MHz
Frequência Intermediária:	10.7 MHz
Sensibilidade útil:	melhor que 15dB a S/N 30dB
Separação estéreo	25 dB at 1KHz
Relação Sinal/Ruído	50 dB

AM/MW

Faixa de frequência:	530-1710KHz 522-1620KHz
Frequencia intermediária:	450KHz
Sensibilidade útil:	Melhor do que 45dB
Relação Sinal/Ruído:	40dB

General:

Alimentação:	DC 11-14V
Polaridade:	Terra negativo
Impedancia alto-falantes:	4ohms
Potência de saída:	80w x 4

Nota:

As especificações estão sujeitas a alterações sem prévio aviso.

ES

CD PLAYER

Sistema:	Compact disc audio system.
Disco:	Compact Disc.
Frecuencia Muestreo:	44.1KHz.
Quantificación:	1bit.
Frecuencia:	5-20,000Hz.
Número de canales:	2 canales.
Relación señal/Ruido S/N Ratio	70dB

RADIO SECCIÓN

FM

Rango Frecuencia:	87.5-107.9MHz 87.5-108MHz
Frecuencia Intermedia:	10.7Mhz.
Sensibilidad Útil:	Mejor que 15dB a S/N 30dB.
Separação estéreo:	25dB a 1KHz.
S/N Ratio:	50dB.

AM/MW

Rango Frecuencia:	530-1710KHz 522-1620KHz
Frecuencia Intermedia:	450KHz.
Sensibilidad útil:	Mejor que 45dB.
S/N Ratio:	40dB.

GENERAL

Alimentación:	DC 11-14V.
Polaridad:	Negativo a masa.
Impedancia altavoces:	4 Ohms.
Potencia de salida:	4x80W.

Nota:

Debido al rápido avance tecnológico, estas especificaciones están sujetas a cambios sin previo aviso.

IT

LETTORE CD

Sistema	Sistema di Audio CD
Tipo di disco	CD
Frequenza di campionatura	44.1KHz
N° quantizzazioni Bit	1 bit
Frequenza	5-20,000 Hz
Numero di Canali	2 Canali
Rapporto S/N	70db

SEZIONE RADIO

FM

Raggio di Frequenza	87.5-107.9MHz 87.5-108MHz
Frequenza intermedia	10.7 Mhz
Sensibilità	migliore di 15dB a S/N 30 dB
Separação Stereo	25dB a 1KHz
Rapporto S/N	50dB

AM/MW

Raggio di Frequenza	530-1710KHz 522-1620KHz
Frequenza intermedia	450KHz
Sensibilità	migliore di 45dB
Rapporto S/N	40dB

GENERALE

Alimentazione	Dc11 14V
Polarità	Terra negativo
Impedenza altoparlanti	4 ohms
Potenza d'uscita	4x 80 Watts

Le specifiche sono soggette a cambiamenti senza alcun preavviso.

13.TROUBLE SHOOTING

Before going through the check list, check wiring connection. If any of the problems persist after check list has been made, consult your nearest service dealer.

Symptom	Cause	Solution
No power	The car ignition is not on.	If the power supply is properly connected to the car accessory terminal, switch the ignition key to "ACC"
	The fuse is blown.	Replace the fuse.
Disc cannot be loaded or ejected	Presence of CD disc inside the player.	Remove the disc in the player, then put a new one.
	Inserting the disc in reverse direction.	Insert the compact disc with the label facing upward.
	Compact disc is extremely dirty or defective disc.	Clean the disc or try to play a new one.
	Temperature inside the car is too high.	Cool off or until the ambient temperature returns to normal.
	Condensation.	Leave the player to off for an hour or so, then try again.
No sound	Volume is in minimum.	Adjust volume to a desired level.
	Wiring is not properly connected.	Check wiring connection.
The operation keys do not work	The built-in microcomputer is not operating properly due to noise.	Press the RESET button. Front panel is not properly fixed into its place
Sound skips.	The installation angle is more than 30 degrees.	Adjust the installation angle to less than 30 degrees.
	The disc is extremely dirt or defective disc.	Clean the compact disc. Then try to play a new one.
The radio does not work. The radio station automatic selection does not work.	The antenna cable is not connected.	Insert the antenna cable firmly.
	The signals are too weak.	Select a station manually.
ERROR 1	Mechanism Error	Press the reset button if the error code does not disappear, consult your nearest service dealer.
ERROR 2	Servo Error	Press the reset button if the error code does not disappear, consult your nearest service dealer.



If at any time in the future you should need to dispose of this product, please noted that: Waste electrical products should not be disposed of with household waste. Please recycle where facilities exist. Check with your local Authority or retailer for recycling advice. (Waste Electrical and Electronic Equipment Directive).