

# F1960 x MIP Brass PEX Adapter

Job Name	_____
Location	_____
Engineer	_____
Contractor	_____
Tag	_____ PO# _____

## Specifications

Manufactured to the highest industry standards, Jones Stephens' F1960 lead-free brass cold expansion fittings provide precise, secure, and leak-free connections. Made with DZR brass, F1960 cold expansion fittings are corrosion and chlorine/chemical resistant – making them a great fit for aggressive water environments. Approved for use with PEX-A piping. Can be used with F1960 PEX rings.

## Applications

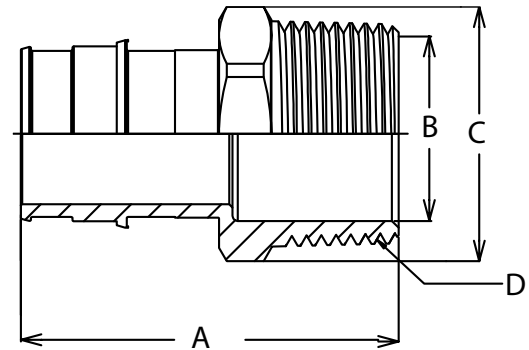
Jones Stephens' F1960 x MIP Brass PEX Adapters are approved for use with commercial and residential non-potable water applications.

## Materials

Lead-free DZR brass

## Certifications/Listings/Approvals

- ASTM F1960-2021
- NSF/ANSI/CAN 61-2021
- NSF/ANSI/CAN 372-2022
- NSF/ANSI 14-2015
- CSA B137.5-2020
- Lead Law Compliant



	ID	OD
F1960 Specified Dimensions	in (mm)	in (mm)
1/2" End Connection	.41(10.33)	.61(15.59)
5/8" End Connection	.53(13.40)	.74(18.90)
3/4" End Connection	.62(15.80)	.87(22.10)
1" End Connection	.83(21.00)	1.11(28.10)
1-1/4" End Connection	.80(20.32)	1.36(35.54)
1-1/2" End Connection	1.08(27.43)	1.49(37.85)
2" End Connection	1.56(39.62)	2.08(52.83)

**PRODUCT OFFERING ON PAGE 2**

**Dimensions and Product Offering**

PART NO.	SIZE	A - IN (MM)	A TOLERANCE ±IN(MM)	B - IN (MM)	B TOLERANCE ±IN(MM)	C - IN (MM)	C TOLERANCE ±IN(MM)	D - IN (MM)	D TOLERANCE ±IN(MM)	WEIGHT - LBS (G)	WEIGHT TOLERANCE ±LBS (G)
<b>F76831</b>	0.50"	1.24(31.60)	0.36 (9.07)	1.02 (26.00)	0.04 (0.912)	0.77 (19.50)	0.13 (3.39)	0.50"-14 NPT (0.50"-14 NPT)	-	0.10 (44.45)	0.02 (10.89)
<b>F76849</b>	0.50"	1.50 (38.10)	0.36 (9.07)	0.61 (15.50)	0.04 (0.912)	0.98 (25.00)	0.13 (3.39)	0.50"-14 NPT	-	1/2"-14 NPT	0.02 (10.89)
<b>F76850</b>	0.50" F1960 x 0.75" MIP	1.52 (38.60)	0.36 (9.07)	0.78 (19.80)	0.04 (0.912)	1.18 (30.00)	0.13 (3.39)	0.75"-14 NPT	-	0.12 (54.43)	0.02 (10.89)
<b>F76852</b>	0.75"	1.74 (44.10)	0.36 (9.07)	0.78 (19.80)	0.04 (0.912)	1.18 (30.00)	0.13 (3.39)	0.75"-14 NPT	-	0.14 (63.50)	0.02 (10.89)
<b>F76851</b>	0.75" F1960 x 1.00" MIP	1.95 (49.60)	0.36 (9.07)	1.02 (26.00)	0.04 (0.912)	1.52 (38.50)	0.13 (3.39)	1.00"-11.5 NPT	-	0.20 (90.72)	0.02 (10.89)
<b>F76847</b>	1.00"	2.22 (56.40)	0.36 (9.07)	1.02 (26.00)	0.04 (0.912)	1.50 (38.00)	0.13 (3.39)	1.00"-11.5 NPT	-	0.26 (117.93)	0.02 (10.89)
<b>F76848</b>	1.00" F1960 x 0.75" MIP	2.01 (51.10)	0.36 (9.07)	0.78 (19.80)	0.04 (0.912)	1.18 (30.00)	0.13 (3.39)	0.75"-14 NPT	-	0.18 (81.65)	0.02 (10.89)
<b>F76165</b>	1.25"	2.52 (64.01)	0.36 (9.07)	1.35 (34.40)	0.04 (0.912)	1.69 (42.93)	0.13 (3.39)	1.25" -11.5 NPT	-	0.43 (195.05)	0.02 (10.89)
<b>F76166</b>	1.50"	2.81 (71.37)	0.36 (9.07)	1.49 (37.85)	0.04 (0.912)	1.93 (49.02)	0.13 (3.39)	1.50" -11.5 NPT	-	0.55 (249.48)	0.02 (10.89)
<b>F76167</b>	2.00"	3.26 (82.80)	0.36 (9.07)	2.07 (52.70)	0.04 (0.912)	2.36 (59.94)	0.13 (3.39)	2.00" -11.5 NPT	-	0.92 (417.31)	0.02 (10.89)