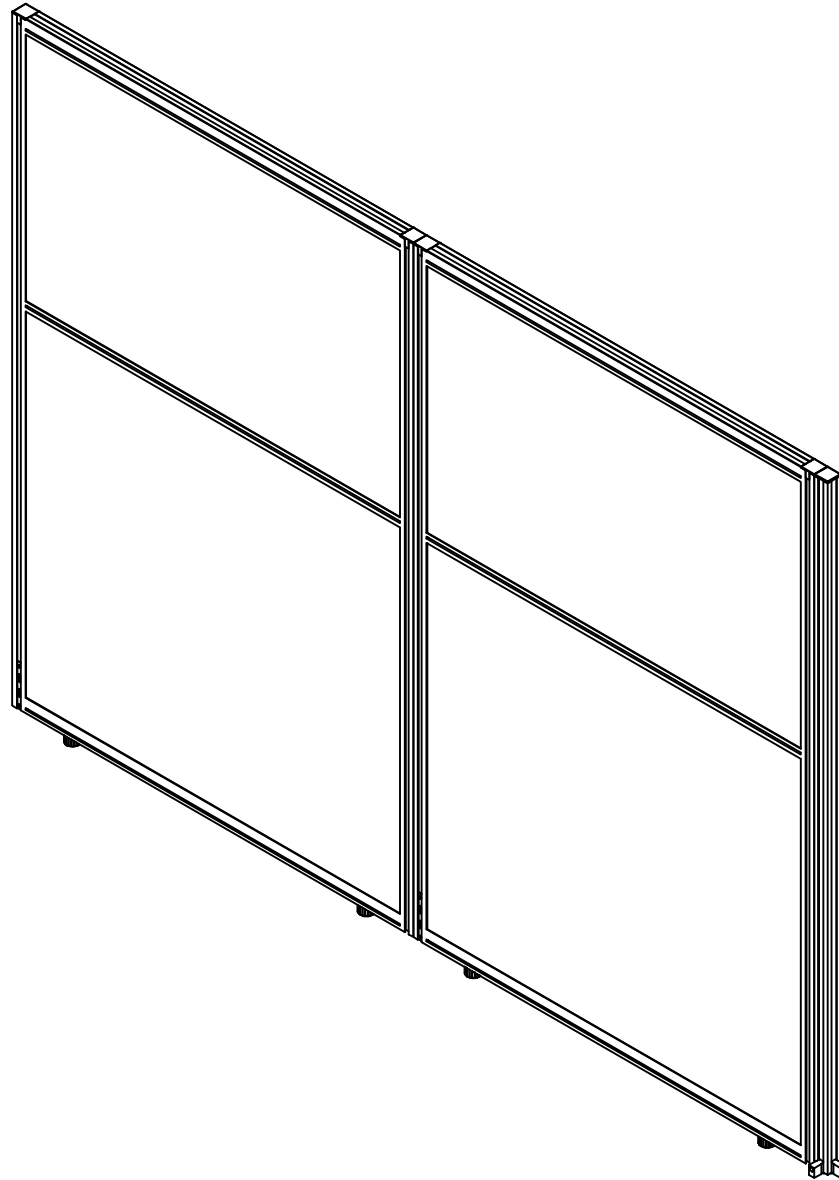


# EOP160SL

BOX C: 60W X 45H PANEL WITH CORNER  
CONNECTOR

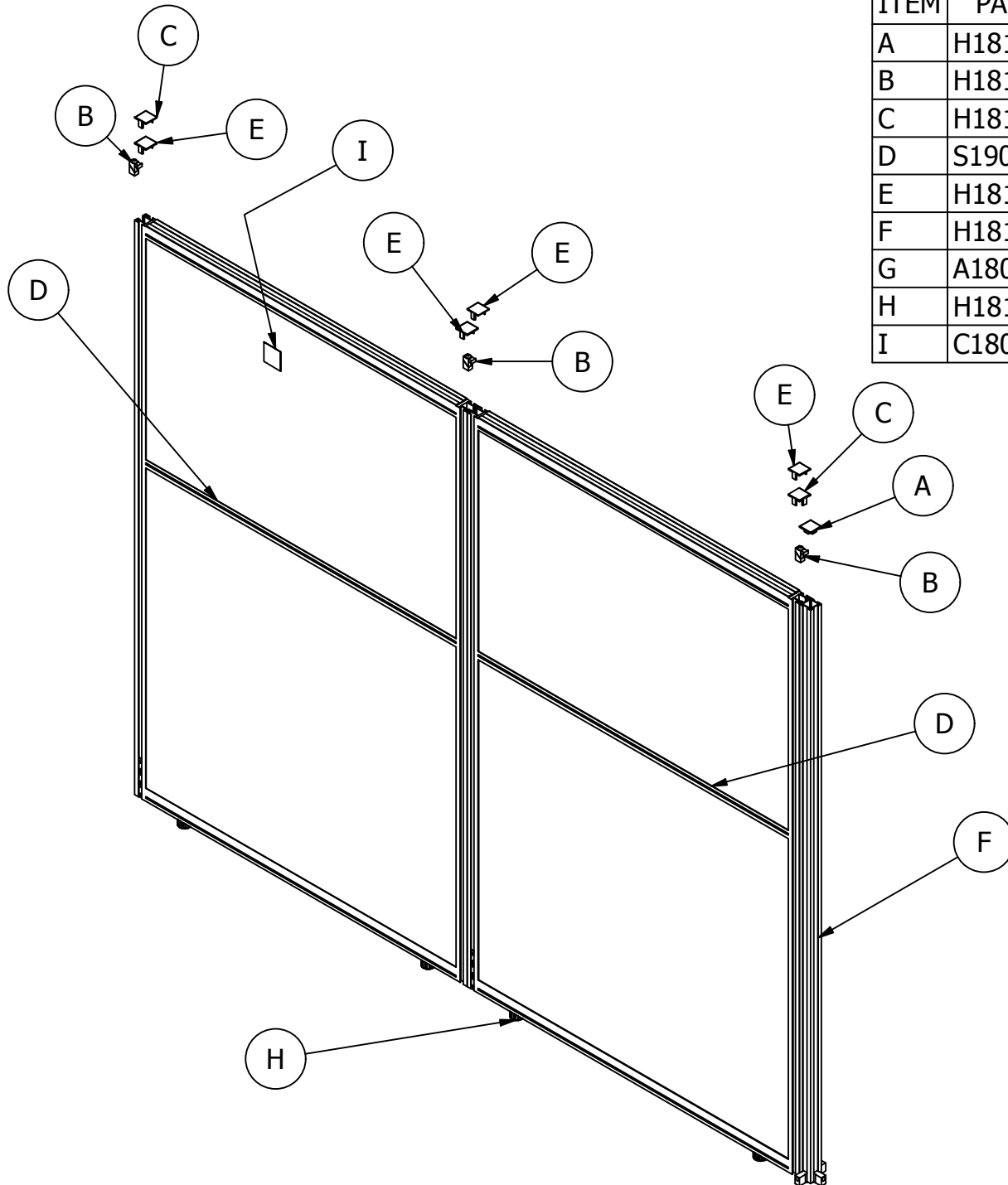


**NEED HELP?**  
Call 1-800-950-4782  
[www.bushbusinessfurniture.com](http://www.bushbusinessfurniture.com)

Lot Code #

# PARTS LIST

A190611



Parts List			
ITEM	PART NUMBER	TITLE	QTY
A	H181335	Corner post cap	1
B	H181331	Top Connector	3
C	H181326	Panel Cap 3 Pin	2
D	S190651	Wall Panel	2
E	H181334	Panel Cap 2 Pin	4
F	H181328	Corner Post	1
G	A180134	BBF 10 Year Warranty Sheet	1
H	H181327	Leveler	4
I	C180542	BBF Name Rec.Label	1