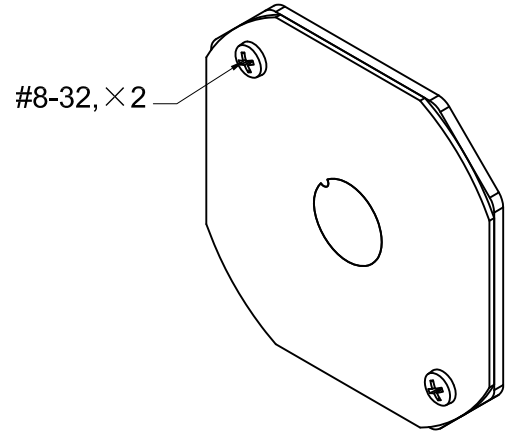
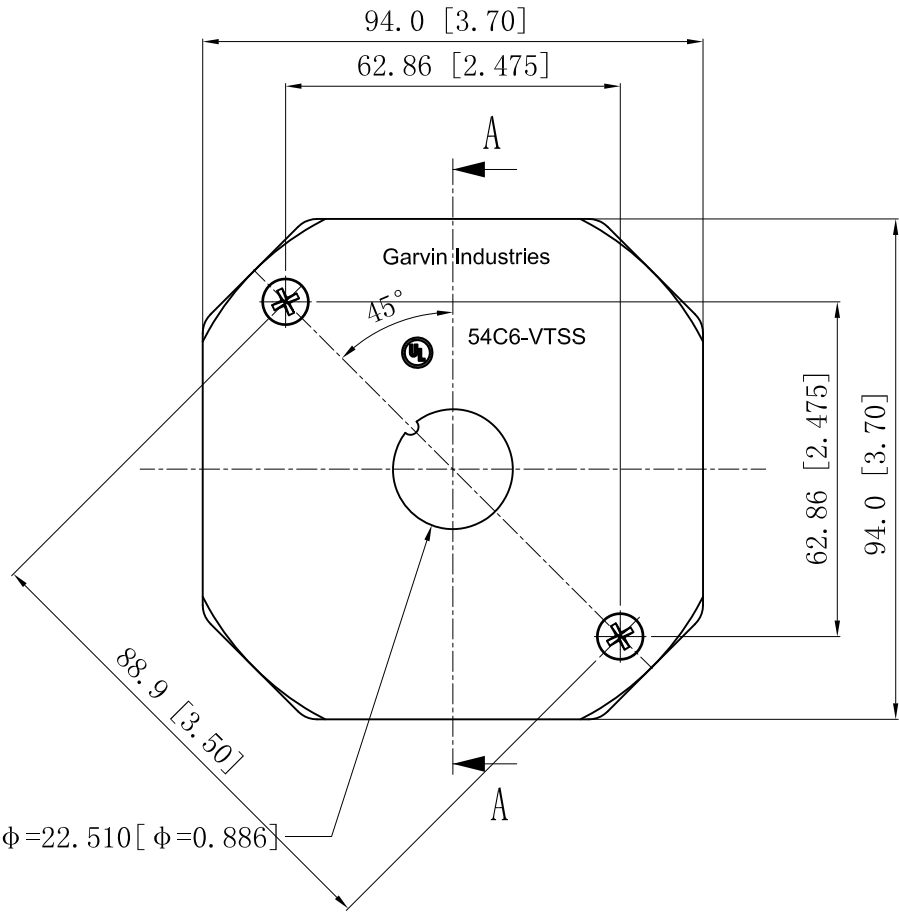
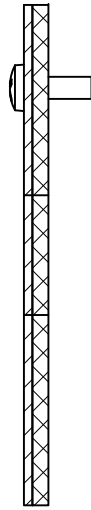


|   |                |
|---|----------------|
| SIDES                                     | BOTTOM         |
|   | 1/2" KNOCKOUTS |
| 2 PCS 8-32×1/2 Screws Installed           |                |
| Material:0.051~0.059"-Stainless steel 316 |                |



CUTAWAY VIEW A-A

1/2" KNOCKOUTS  $\phi = 22.510$  [  $\phi = 0.886$  ]

This data sheet is for reference only .GARVIN INDUSTRIES reserves the right to make changes to the design without prior notice.

|                       |
|-----------------------|
| DESCRIPTION           |
|                       |
| TRADE REFERENCE TERMS |
|                       |

|                  |
|------------------|
| STANDARD PACKING |
| 25 PCS           |

|                          |           |  |     |
|--------------------------|-----------|--|-----|
| <b>GARVIN INDUSTRIES</b> |           |  |     |
| 4" OCTAGON BOX COVERS    |           |  |     |
| SIZE                     | DWG NO.   |  | REV |
| A4                       | 54C6-VTSS |  | A   |
| DATA SHEET               |           |  |     |
| www.garvinindustries.com |           |  |     |