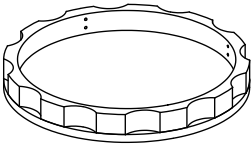
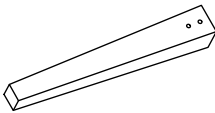





# ASSEMBLY INSTRUCTIONS

## FAIRHAVEN COFFEE TABLE

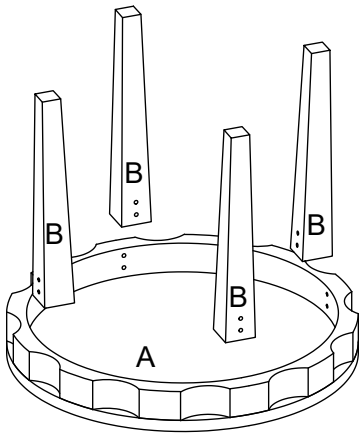
**PART LIST :-**

NO.	DESCRIPTION	IMAGE	QTY
A	COFFEE TABLE		1
B	LEG		4

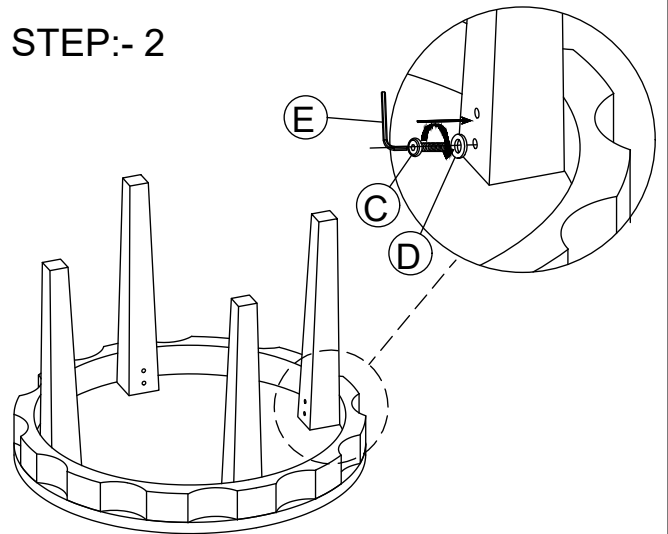
**HARDWARE LIST :-**

NO.	DESCRIPTION	IMAGE	QTY
C	ALLEN BOLTS M6x50 mm		8
D	WASHERS 8x16 mm		8
E	ALLEN KEY 4 mm		1

**STEP:- 1**



**STEP:- 2**



**STEP:- 3 ASSEMBLED**

