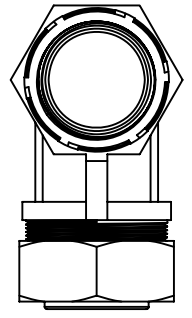
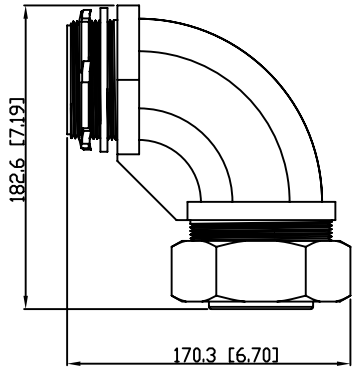
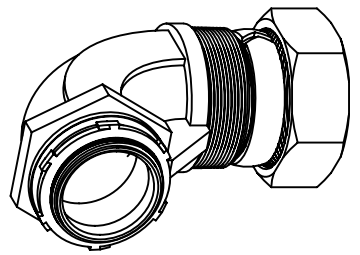
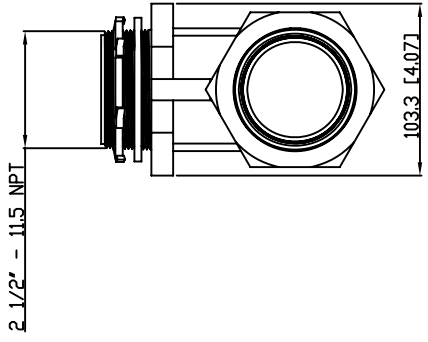


SIDES	BOTTOM
Material: MALLEABLE-IRON	



This data sheet is for reference only .GARVIN INDUSTRIES reserv the right to make changes to the design without prior notice.

DESCRIPTION
TRADE REFERENCE TERMS

STANDARD PACKING
1 PCS

TITLE			GARVIN INDUSTRIES		
90° Liquid Tight Conn, 2 1/2"			REV		
SIZE	DWG NO.	REV			
A4	DS-LTC-25090	A			