




ASSEMBLY INSTRUCTIONS


Item No : B3412-070
HARRISBURG DOOR CHEST
 (1PC PER CARTON)

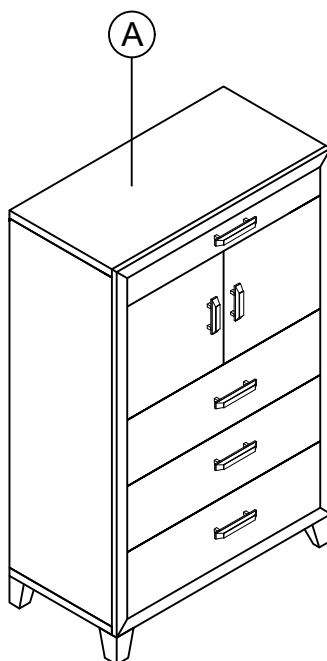
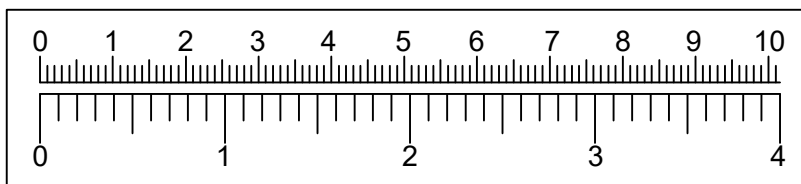
Thank you for purchasing this quality product. Be sure to check all packing materials carefully for small parts, which may have come loose inside the carton during shipment. Identify and count all items and compare with the parts list and/or hardware list shown below.

Cautions :

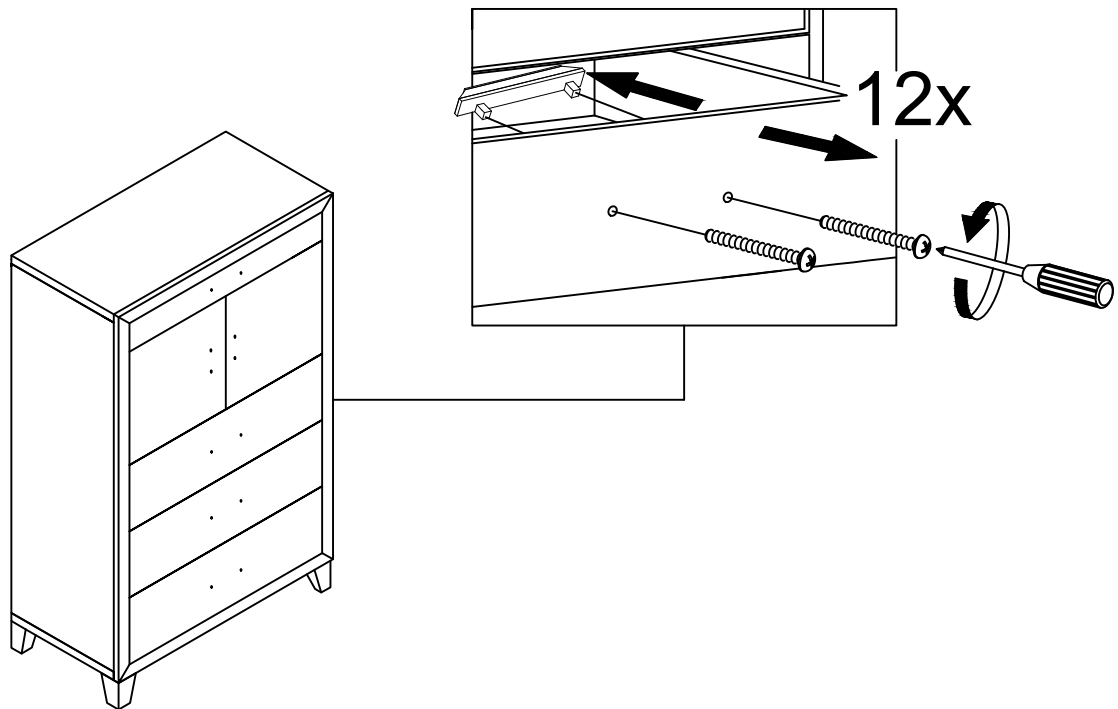
- (1) Do not fully-tighten the nuts or bolts until all nuts and bolts are assembled.
 (To avoid causing damages to the thread, do not over-tighten the nuts or bolts.)
- (2) Keep all hardware part out of reach of children.

PARTS LIST			
NO	DESCRIPTION	SKETCH	QTY
A	CHEST		1 PC

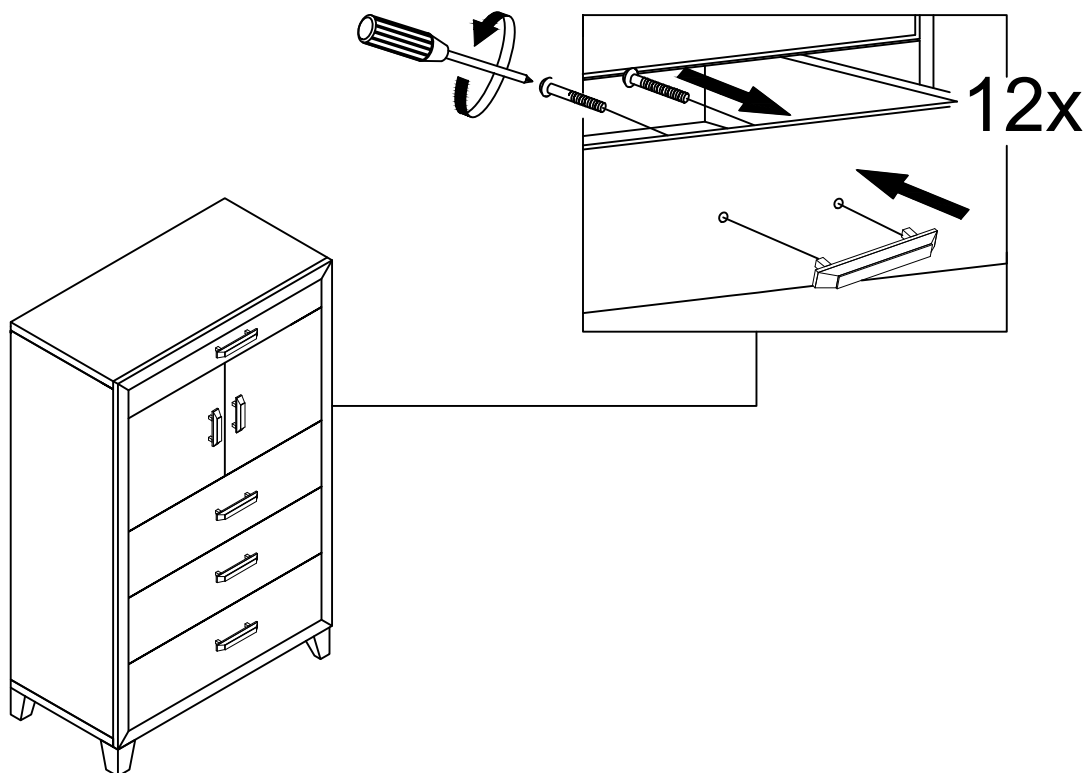
HARDWARE LIST			
NO	DESCRIPTION	SKETCH	QTY
1	ANTI-TIP KIT		1 PC



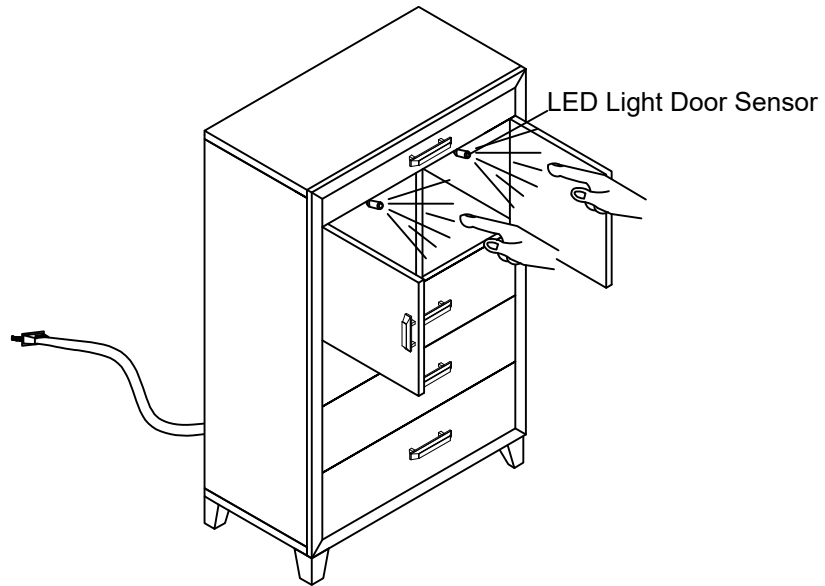
STEP 1 : Pull open the drawer and remove the handle from the inside of the drawer by using a screwdriver.



STEP 2 : Assemble the handle to the front of the drawer by using a screwdriver.



STEP 3 : Connect the plug to a power source in order to switch on the LED light inside the doors. Light will turn on when door is opened and off when closed.



STEP 4 : Attach the Anti-tip kit (1) to the wall and behind the Chest (A) with a screwdriver.

