



LITHONIA LIGHTING® COMMERCIAL DOWNLIGHTING

High School Application Guide

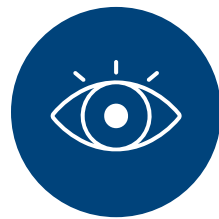
To learn more about LITHONIA LIGHTING COMMERCIAL DOWNLIGHTING
visit www.LithoniaLighting.com



Join the conversation - follow us on social media.

Best Value in Commercial Downlighting

When it comes to general illumination downlighting for new construction and retrofit projects, think Lithonia Lighting® Commercial Downlighting. Both the LBR and LDN families are designed to deliver the best value by offering a versatile range of sizes and shapes, switchable CCTs and lumens, dimming options and integrated controls.



Downlight and wall wash distributions are designed with outstanding **glare control** to provide **visually comfortable lighting** for occupants in any space.



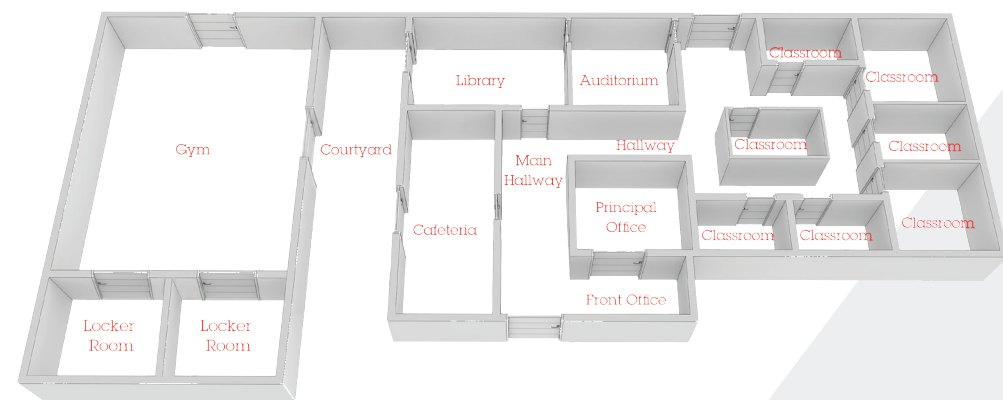
Save on **labor costs, time** and **energy consumption** with easy installation, job site flexibility and high efficacy.



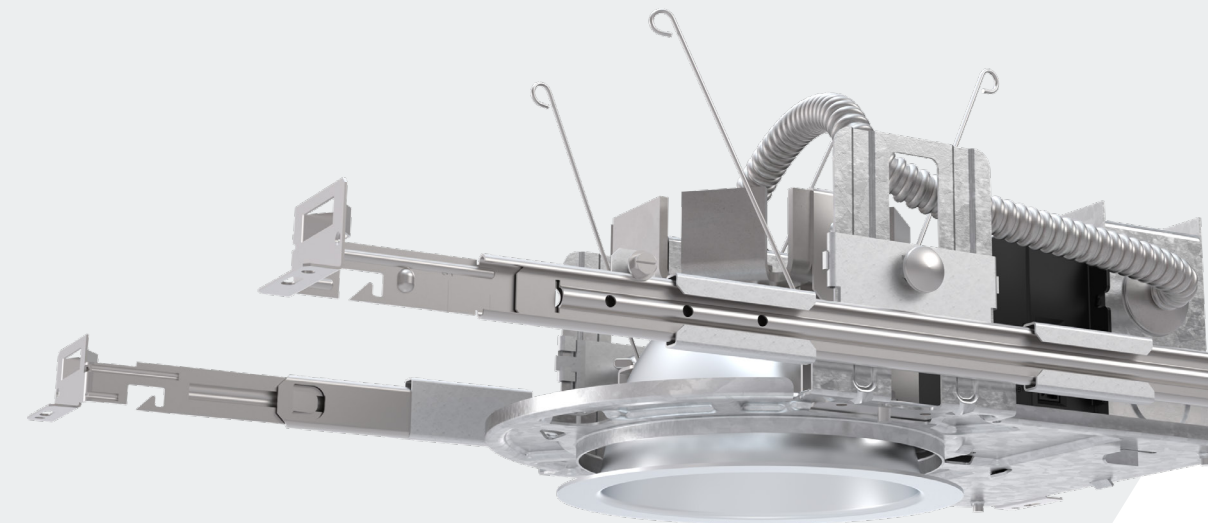
You **know and trust** Lithonia Lighting to provide the most **affordable** downlighting solutions, delivered when you need them.



Engineered with **high performance drivers** and **lighting controls** to deliver a sustainable and long-lasting downlighting solution.



Take a tour through Williams High School to see when and how to use the LBR and LDN families!



High School Entrance

Why use Commercial Downlighting in this space?

Lithonia Lighting® LDN 4" and 6" downlights and cylinders provide even, uniform illumination to safely guide kids to school as they get dropped off in early in the morning or picked up in the late afternoon.

LDN 4" Wall Mount Cylinder

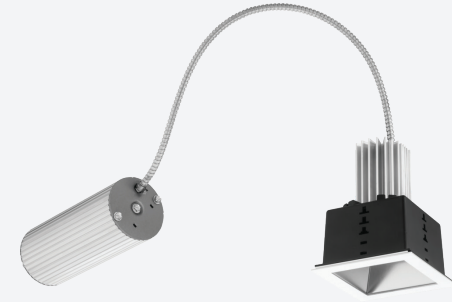
- All LDN cylinders match seamlessly across surface, pendant, and wall mount configurations
- Up to 2,000 lumens with 55° cutoff and 85+ LPW
- Choose between 11 standard architectural colors and any RAL colors

LDN 6" Downlight

- Glare-free experience without compromising efficacy
- Up to 5,000 lumens at 55° cutoff and 85+ LPW
- Available with nLight® wired or wireless lighting controls and SensorSwitch™ JOT single room controls



Front Office



Why use Commercial Downlighting in this space?

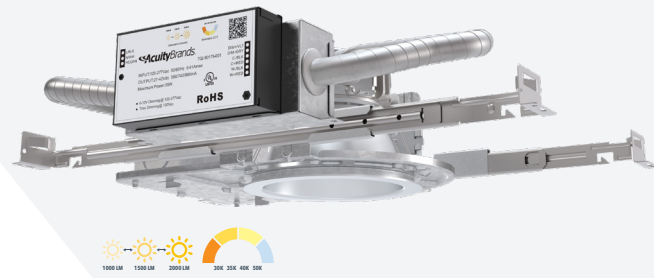
Lithonia Lighting® LDN3 is a cost-effective, small aperture commercial downlight solution designed specifically for uniform illumination whether on the floor or on the wall. As you walk into the school building, our downlight provides a quiet, glare free ceiling while our wall wash downlight makes a room feel spacious. Since illumination is higher on the wall without scallops or uneven lighting, the William High school's logo becomes the main focal point of the space.

LDN 3" Square Downlight and Wall Wash

- Easy install-from-below design
- Universal dimming to 1%
- Standard Buy America(n) Act Compliant (BAA)

A photograph of a modern front office reception desk. The desk is made of wood and has a white countertop. On the desk, there is a computer monitor, a mouse, and a keyboard. There are also several potted plants on the desk. The background is a brick wall with the 'WHS WILLIAMS High School' logo in large, colorful letters. The logo consists of 'WHS' in blue, yellow, and grey, and 'WILLIAMS High School' in white. The ceiling is a grid ceiling with recessed lights.

Classroom



Why use Commercial Downlighting in this space?

Lithonia Lighting® LBR reduces energy consumption by 50-80% which will provide significant energy savings for schools. With high lumen maintenance, LBR provides a longer life compared to traditional sources while preserving a visually comfortable experience for students and teachers for years to come.

LBR 4" New Construction Downlight and Wall Wash

- Switchable CCTs (3000K-3500K-4000K-5000K) and lumen packages (ranging from 500 to 5000 lumens)
- Superior glare control with 55° cutoff
- Best in class efficacy with 114 LPW
- MVOLT 120-277V, 0-10V and phase dimming in an all-in-one driver for either 10% or 1% dimming



Auditorium

Why use Commercial Downlighting in this space?

When ceiling heights vary within an auditorium, Lithonia Lighting® LDN 4" downlights and cylinders pair together to provide uniform coverage and a comfortable general illumination experience for occupants in the space.

LDN 4" Surface Mount Cylinder

- All LDN cylinders match seamlessly across surface, pendant, and wall mount configurations
- Up to 2,000 lumens with 55° cutoff and 85+ LPW
- Choose between 11 standard architectural colors and any RAL colors

LDN 4" Switchable Downlight

- Switchable CCTs (3000K-3500K-4000K-5000K) and lumen packages (ranging from 500 to 5000 lumens)
- MVOLT 120-277V, 0-10V and phase dimming in an all-in-one driver for either 10% or 1% dimming
- Available with nLight® wired or wireless lighting controls and SensorSwitch™ JOT single room controls



Gym

Why use Commercial Downlighting in this space?

Lithonia Lighting® LDN8 is the most powerful cylinder on the market. This is the perfect solution for spacious, high ceiling plane applications such as a high school gym.

LDN 8" Pendant Mount Cylinder

- All LDN cylinders match seamlessly across surface, pendant, and wall mount configurations
- Up to 20,000 lumens with 55° cutoff and 85+ LPW
- Choose between 11 standard architectural colors and any RAL colors
- Available in damp and wet location configurations



Library

Why use Commercial Downlighting in this space?

When a school is ready to retrofit a space, Lithonia Lighting® LBR offers a seamless install-from-below design, abundant energy savings and a glare-free aesthetic. Choose between a variety of options and accessories including emergency battery packs, goof rings, and quick disconnect plugs for all your retrofit needs.

LBR 4" Retrofit Downlight and Wall Wash

- Switchable CCTs (3000K-3500K-4000K-5000K) and lumen packages (ranging from 500 to 5000 lumens)
- Multiple distributions include medium, wide, and wall wash
- MVOLT 120-277V, 0-10V and phase dimming in an all-in-one driver for either 10% or 1% dimming
- Available with nLight® wired or wireless lighting controls and SensorSwitch™ JOT single room controls

