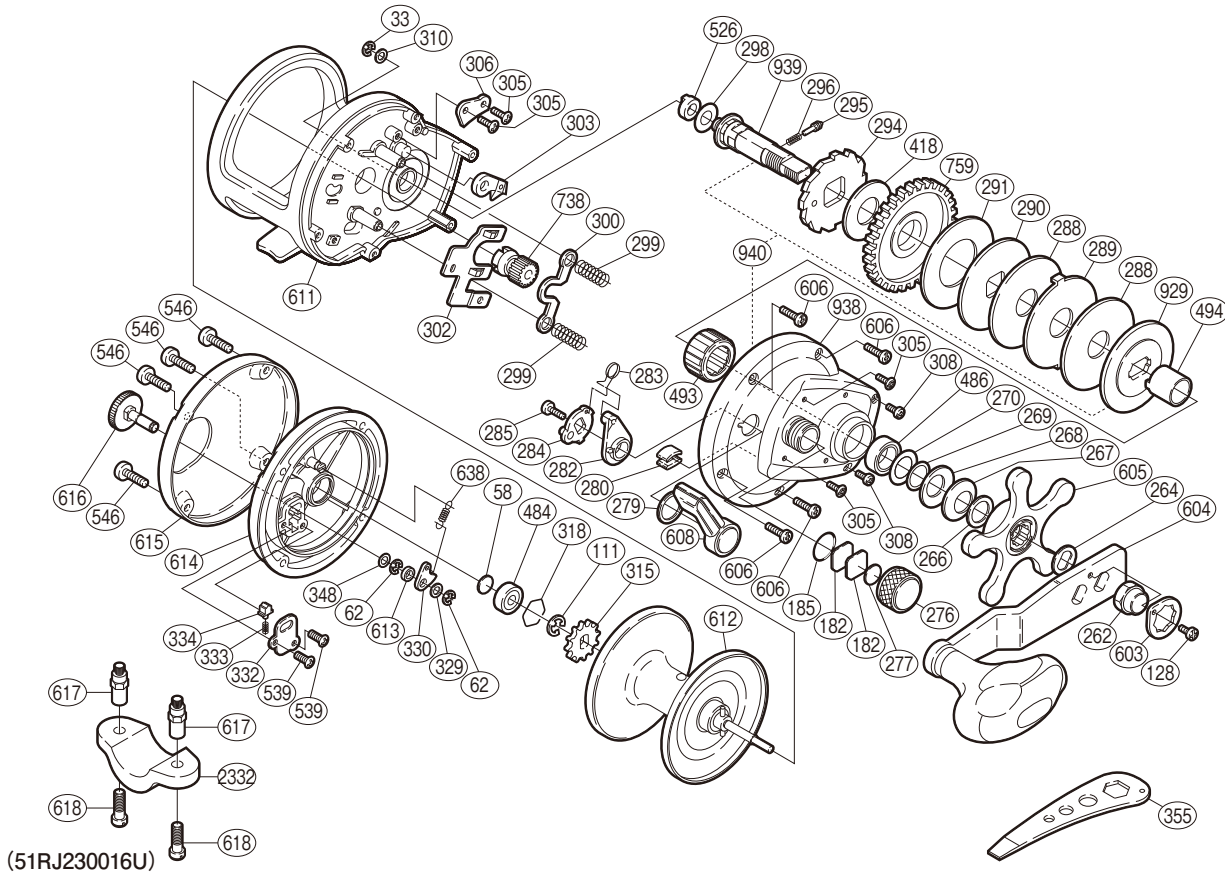


SHIMANO

TORIUM

TOR-16



#	Part No.	Description	#	Part No.	Description	#	Part No.	Description
33	105NG	Drive Shaft Retainer	294	10D9M	Anti-Reverse Ratchet	539	10QG5	Click Spring Retainer Screw
58	10GEU	Spacer B	295	109ZZ	Click Pin	546	10L9T	Left Side Plate Screw
62	105NK	Click Pawl Retainer	296	10HZ5	Click Spring	603	10LMC	Handle Nut Plate
111	105NJ	Click Gear Retainer	298	10588	Drive Shaft Washer (B)	604	10B1T	Handle Assembly
128	10QG0	Handle Nut Plate Screw	299	104BY	Yoke Spring	605	10HMS	Star Drag
182	105N0	Cast Control Spacer (A)	300	10481	Yoke	606	10L9S	Right Side Plate Screw (A)
185	109EB	O Ring	302	1045E	Yoke Plate	608	10LYV	Clutch Lever
262	10FT1	Handle Nut	303	10MWB	Anti-Reverse Pawl	611	10K8D	One-Piece Frame
264	107QQ	Drive Shaft Shield	305	103CK	Multi-purpose Screw	612	10NPJ	Spool Assembly
266	10BR3	Star Drag Washer	306	10KNW	Anti-Reverse Pawl Keeper	613	104TU	Click Pawl Spacer
267	10EW2	Drag Spring Washer (9l)	308	10LSK	Right Side Plate Screw (D)	614	10504	Left Side Plate
268	10529	Drag Spring Washer (9h)	310	107R0	Drive Shaft Washer (A)	615	10NXG	Left Side Plate Cover
269	105PY	Bearing Thrust Washer	315	104F1	Click Gear	616	10LGX	Click Button
270	109R6	Bearing Seal	318	10GGM	Bearing Retainer	638	10NRS	Click Pawl Spring
276	10KTA	Cast Control Cap	329	109RC	Spacer (B)	738	10AHD	Pinion Gear
277	10896	Cast Control Spacer (B)	330	10GQR	Click Pawl	759	109DF	Drive Gear
279	10JYS	Smoother	332	104B6	Click Spring Retainer	929	10D4P	Key Washer
280	106K5	Line Clip	333	104MT	Click Spring	938	10HKE	Right Side Plate
282	10L29	Eccentric Cam Bushing	334	104B8	Click Spring Holder	939	10997	Drive Shaft
283	10JYU	Clutch Spring	348	109RE	Spacer (C)	940	10HKH	Upgrade Assembly
284	1084F	Clutch Cam	418	10CL1	Drag Washer (A)			
285	10F8M	Clutch Lever Screw	484	10KAD	Ball Bearing	617	10EXD	Rod Clamp Nut (accessory)
288	10L89	Drag Washer (D)	486	10KX6	Ball Bearing	618	10EXF	Rod Clamp Bolt (accessory)
289	10LBD	Eared Washer (E)	493	10F5B	Roller Clutch Bearing	2332	10EUN	Rod Clamp (accessory)
290	10L4Z	Key Washer (C)	494	10BQ1	Roller Clutch Inner Tube			
291	10D35	Drag Washer (B)	526	10BPW	Drive Shaft Bushing	355	10MJ2	Wrench (accessory)

Please note that the number of adjusting washers may not be the same as shown in the exploded views.
(Adjustment will vary with each individual product.)