

SINCE 1839

BRINLY

SINCE 1839

BRINLY

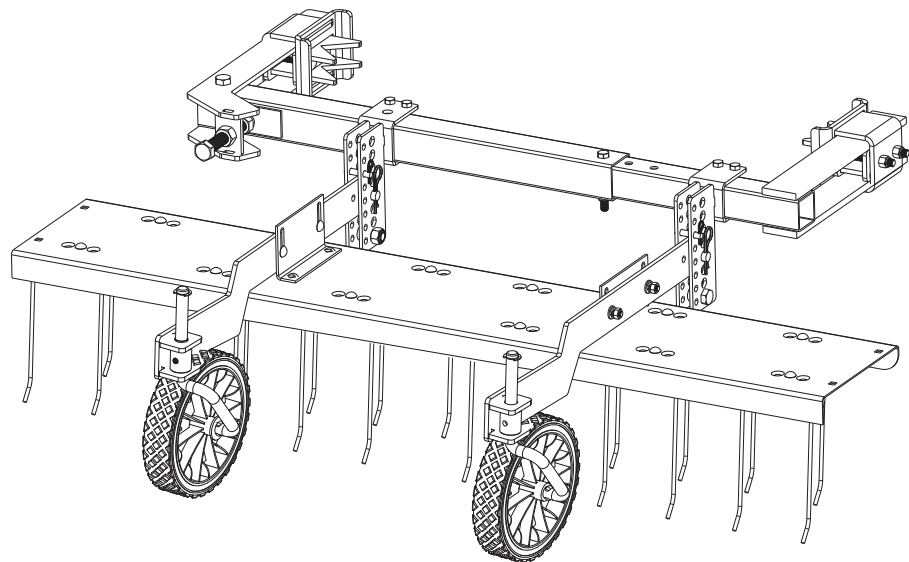
OWNER'S MANUAL

48" FRONT MOUNT DETHATCHER FOR ZERO TURN MOWERS

MODEL:

DTZ-48BH

- Assembly
- Installation
- Operation
- Repair Parts



Call Customer Service, Toll-Free: 877-728-8224

Visit us on the web!
www.brinly.com

Important: This manual contains information for the safety of persons and property. Read it carefully before assembly and operation of the equipment!

1009719-H

INTRODUCTION AND SAFETY

CONGRATULATIONS on the purchase of your new Brinly-Hardy Dethatcher! Your Dethatcher has been designed, engineered and manufactured to give you the best possible dependability and performance.

CUSTOMER RESPONSIBILITIES

Please read and retain this manual. The instructions will enable you to assemble and maintain your Dethatcher properly.

Please carefully read and observe the SAFETY section of this manual.

Follow a regular schedule in maintaining and caring-for your Brinly-Hardy Dethatcher.

TABLE OF CONTENTS

SAFETY.....	2
COMPONENT VIEW AND REFERENCE LIST.....	4
ASSEMBLY.....	5-9
OPERATION.....	10-11
MAINTENANCE AND STORAGE.....	12
LIMITED WARRANTY.....	12

SAFETY



This symbol will help to point out important safety precautions throughout this manual. It means - ATTENTION! BECOME ALERT! your safety is involved.

⚠ WARNING
RISK OF SEVERE INJURY!

KEEP CHILDREN OFF!

READ OWNER'S MANUAL BEFORE USING. SAFETY RODS MUST BE IN PLACE WHILE IN OPERATION.

MOUNTING AND ADJUSTMENT

- Select a smooth flat surface such as a driveway, sidewalk, etc..
- Attach thresher to drawbar of tractor.
- Loosen nuts on gauge wheels and drawbar.
- Adjust gauge wheels and thresher drawbar so line tray is level with ground, and line tips are 1/2 inch above flat surface.
- Tighten all nuts securely.

⚠ ADVERTENCIA
¡RIESGO DE LESIÓN SEVERA!

¡MANTENGA ALEJADOS A LOS NIÑOS!

LEA EL MANUAL DEL PROPIETARIO ANTES DE USARLO. LAS VARAS DE SEGURIDAD DEBEN ESTAR EN SU LUGAR MIENTRAS SE OPERA.

MONTAJE Y AJUSTE

- Seleccione una superficie suave y plana, como una entrada para carros, una acera, etc.
- Añada la banda a la barra de ajuste del tractor.
- Ajuste las tuercas de las ruedas de graduación y la barra de ajuste.
- Ajuste las ruedas de graduación y la barra de ajuste para que la bandeja de paja esté nivelada con el suelo y las puntas de paja estén media pulgada por encima de la superficie plana.
- Apretar muy bien todas las tuercas.

⚠ ATTENTION
RISQUE DE BLESSURE GRAVE !

GARDER À L'ÉCART DES ENFANTS !

LIRE LE GUIDE DE L'UTILISATEUR AVANT DE FAIRE FONCTIONNER. LES BARRES DE SÉCURITÉ DOIVENT ÊTRE EN PLACE DURANT LE FONCTIONNEMENT.

MONTAGE ET RÉGLAGE

- Choisir une surface lisse et plate telle qu'une allée, un trottoir, etc.
- Attacher le déchaumuseur à la barre d'attelage du tracteur.
- Deserrer les écrous sur les roulettes de terrage et la barre d'attelage.
- Ajuster les roulettes de terrage et la barre d'attelage de la déchaumuseur de telle sorte que le support à dents soit parallèle à la surface plane et que l'extrémité des dents se trouve à 0,5 pouces du sol.
- Ressermer à fond tous les écrous.

U.S. PAT. NO.
4,689,941
5,042,243

The safety label shown in this section is placed in important areas on your product to draw attention to potential safety hazards.

On your product safety labels, the words DANGER, WARNING and CAUTION are used with the safety-alert symbol. DANGER identifies the most serious hazards.

The operator's manual also explains any potential safety hazards whenever necessary in special safety messages that are identified with the word, CAUTION, and the safety-alert symbol.

GENERAL NOTES (OPERATION)

Caution should be taken when towing and/or using any attachment. This attachment combined with the weight distribution, turning radius, and speed of towing vehicle (ie Zero Turn Mower / ZTR) can result in severe injury or death to operator, damage to towing vehicle, and/or attachment if not used properly. Follow all towing safety precautions noted in the towing vehicle owner's manual, including the following precautions:

- Ensure the combined weight of the towing vehicle (tow vehicle weight + operator weight) is greater than the maximum towed weight of attachment (empty attachment weight + weight of load).
- Do not exceed maximum towing capacity of towing vehicle.
- Do not exceed the maximum drawbar pull rating of the towing vehicle. Drawbar pull is the horizontal force required to pull the attachment (including weight of load).
- Only tow this product in the vehicle's tow mode/speed setting or less than 5 mph. Do not exceed 5 mph.
- Towing speed should always be slow enough to maintain control. Travel slowly and use caution when traveling over rough terrain. Avoid holes, rocks and roots.
- Slow down before you turn and do not turn sharply.
- Use wide turning angles to ensure the attachment follows the path of the towing vehicle.
- Do not use attachment on steep slopes. A heavy load could cause loss of control or overturn attachment and towing vehicle. Additional weights may need to be added to your vehicle; check with towing vehicle manufacturer for recommendations.
- Reduce towed weight when operating on slopes.
- Keep all movement on slopes slow and gradual. Do not make sudden changes in speed, directions, or turning.
- If you start and stop suddenly on hills, you may lose steering control or the towing vehicle may tip. Do not start or stop suddenly when going uphill or downhill. Avoid uphill starts.
- Slow down and use extra care on hillsides. Turf conditions can affect vehicle stability. Use extreme caution while operating near drop-offs.
- Do not drive close to creeks, ditches and public highways.
- Watch out for traffic when crossing near roadways.
- Use care when loading or unloading the vehicle into a trailer or truck.
- Use extra care when operating in reverse.
- When reversing, carefully back-up straight to avoid jackknifing. Do not allow towing vehicle wheels to contact attachment draw bar. Damage could result.
- Stop on level ground, disengage drives, set the parking brake, and shut off engine before leaving the operator's position for any reason including emptying the attachment.
- Use this attachment for intended purpose only.
- This attachment is intended for use in lawn care and home applications. Do not tow behind a vehicle on a highway or in any high speed applications.
- Do not tow at speeds higher than the maximum recommended towing speed.

INTRODUCTION AND SAFETY

- Do not tow this product behind a motor vehicle such as a car or truck.
- Always wear substantial footwear. Do not wear loose fitting clothing that can get caught in moving parts.
- Keep your eyes and mind on your towing vehicle, attachment and area being covered. Do not let other interests distract you.
- Stay alert for holes and other hidden hazards in the terrain
- Keep the towing vehicle and attachment in good operating condition and keep safety devices in place.
- The towing vehicle and attachment should be stopped and inspected for damage after striking a foreign object. Any damage should be repaired before restarting and operating the equipment.
- Keep all parts in good condition and properly installed. Fix damaged parts immediately. Replace worn or broken parts. Replace all worn or damaged safety and instruction decals. Keep all nuts, bolts and screws tight.
- Do not modify the attachment or safety devices. Unauthorized modifications to the towing vehicle or attachment may impair its function, safety and void the warranty.

TOWING VEHICLE AND TOWING SAFELY

- Know your towing vehicle controls and how to stop safely. READ YOUR TOWING VEHICLE OWNER'S MANUAL before operating.
- Check the towing vehicle brake action before you operate. Adjust or service brakes as necessary.
- Stopping distance increases with speed and weight of towed load. Travel slowly and allow extra time and distance to stop.
- Use only approved hitches. Tow this attachment only with a towing vehicle that has a hitch designed for towing. Do not connect this attachment except at the approved hitch point.
- Follow the tow vehicle manufacturer's recommendations for weight limits for towed equipment and towing on slopes. Use counterweights or wheel weights as described in the towing vehicle operator's manual.
- Do not shift to neutral and coast downhill.
- Do not allow children to operate the towing vehicle. Do not allow adults to operate the towing vehicle without proper instruction or without having read the owner's manual.

PROTECT THOSE AROUND YOU

- Before you operate any feature of this attachment or towing vehicle, observe your surroundings and look for bystanders.
- Keep children, bystanders and pets at a safe distance away while operating this or any attachment.
- Use care when reversing. Before you back up, look carefully behind for bystanders.

KEEP RIDERS OFF TOWED ATTACHMENT AND TOWING VEHICLE

- Do not carry passengers.
- Do not let anyone, especially children, ride in/on this attachment, the towing vehicle or hitch bracket. Riders are subject to injury such as being struck by foreign object and/or being thrown off during sudden starts, stops and turns. Riders may also obstruct the operator's view resulting in this attachment being operated in an unsafe manner.

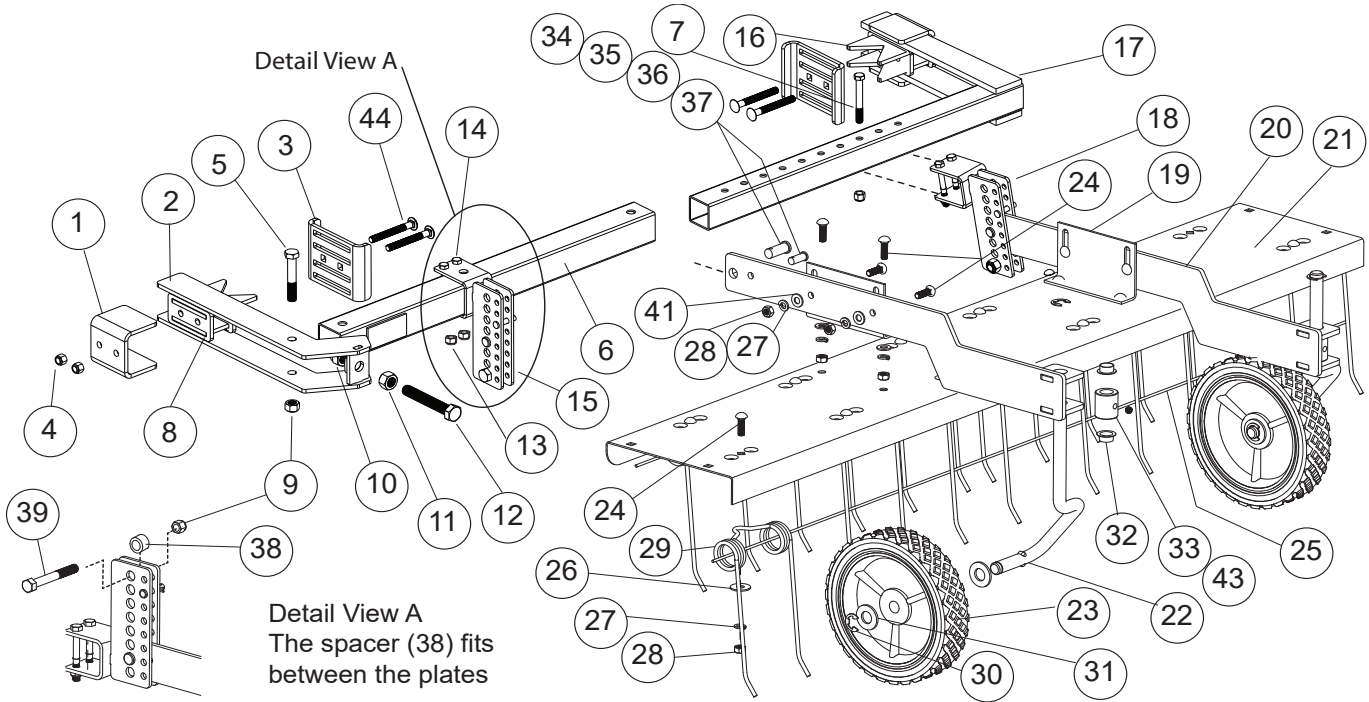
DETHATCHER SPECIFIC SAFETY INSTRUCTIONS

- Follow the instructions in this manual to make sure the dethatcher is mounted correctly.
- Do not use the dethatcher tray as a step.
- Do not allow the dethatcher to strike hard surfaces like curbs, driveways, or steps
- Use the dethatcher on dirt or grass surfaces only.
- When not in use pivot the dethatcher into transport mode to prevent damage to the tines.
- Do not add or stack weight on the dethatcher tray.
- To use the front mounted dethatcher it is recommended that the front weight kit be removed, unless the ZTR manual or manual for rear attachment requires front weight ; then leave weight kit on and use as instructed.

NOTE:

For questions regarding fit up of the **DTZ-48BH** contact Brinly Hardy customer service at 877-728-8224

COMPONENT VIEW AND REFERENCE LIST



REF	PART NO.	DESCRIPTION	QTY	REF	PART NO.	DESCRIPTION	QTY
1	1020505-10	Clamp Bracket	2	22	R-1933-01	Axle	2
2	1009749-10	Clamp Arm	1	23	1009765	Wheel	2
3	1020506-10	Clamp Plate	2	24	11M1016P	5/16" x 1" Carriage Bolt	20
4	B-4820	3/8" Nylon Lock Nut	5	25	R1504	Safety Wire	2
5	2M1656P	1/2" x 3-1/2" Hex Bolt	1	26	R-618	Special Washer	12
6	1009774	Tube With Decal	1	27	40M1000P	5/16" Lock Washer	20
7	2M1256P	3/8" x 3-1/2" Hex Bolt	1	28	30M1000P	5/16" Hex Nut	20
8	1020511-10	2" V Bracket	1	29	R-616	Tine	12
9	B-5096Y	1/2" Nylon Lock Nut	3	30	F-577	5/8" E-Ring	4
10	1009763	5/8" Acorn Nut	1	31	45M2121P	5/8" Washer	4
11	30M2000P	5/8" Hex Nut	1	32	R-719	Nylon Bearing	4
12	1009764	5/8" x 4" Hex Bolt	1	33	R-720-01	Wheel Hub	2
13	B-4786	5/16" Nylon Lock Nut	4	34	R-2303	Clevis Pin (5/16" x 1-3/8")	2
14	2M1044P	5/16" x 2-3/4" Hex Bolt	4	35	V-219P	Clevis Pin (1/2" x 1-1/4")	2
15	1009752-10	Pivot Bracket Long	1	36	B-983	Hairpin Cotter	2
16	1020510-10	1-3/4" V Bracket	1	37	D-146P	Hairpin Cotter	2
17	1009750-10	Fixed Arm	1	38	P-234	Spacer	2
18	1009751-10	Pivot Bracket Small	1	39	2M1632P	1/2" x 2" Hex Bolt	2
19	R-713-10	Frame Bracket	2	41	45M1111P	5/16" Washer	8
20	1009770-10	Front Mount	2	42	1009778	Rubber Edging (30")	1
21	1009773	Tray With Decal	1	43	V-336	5/16" Set Screw	2
				44	1020477	3/8" x 3-1/4" Carriage Bolt	4

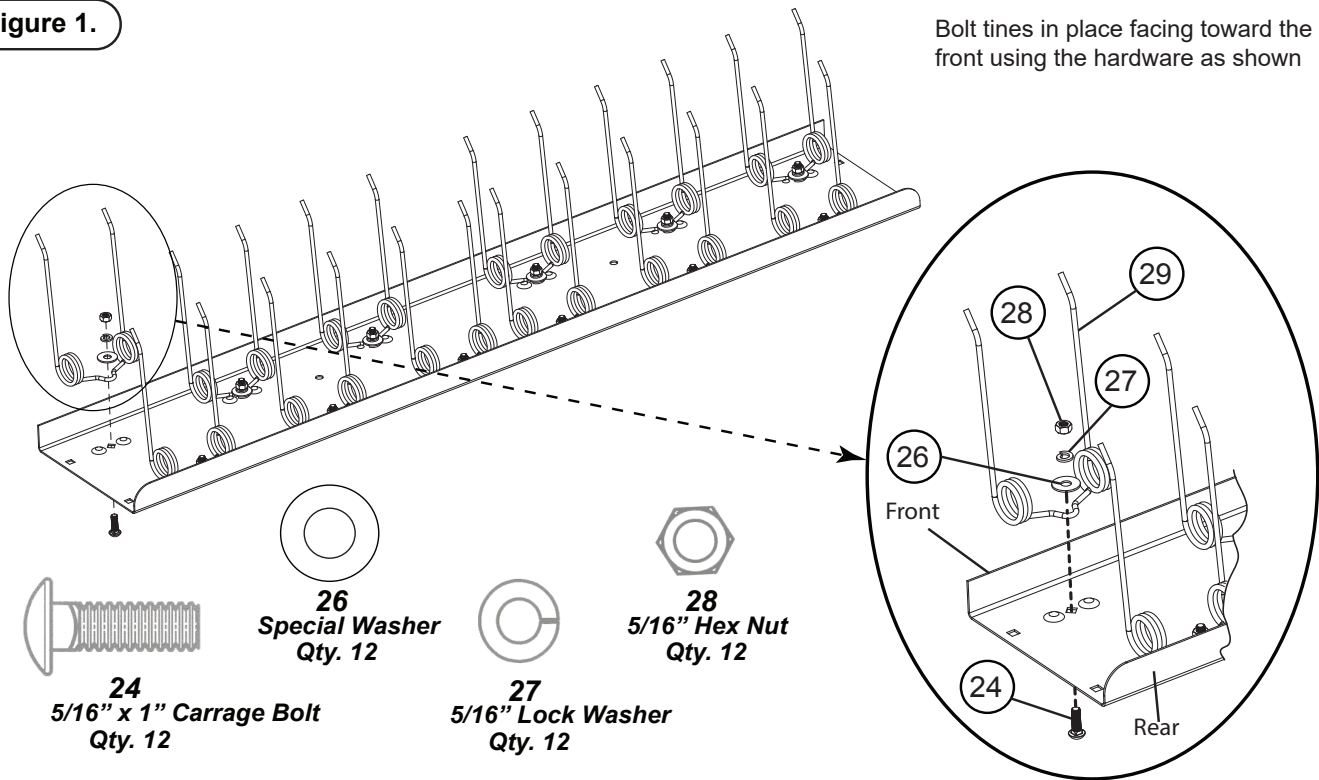
ASSEMBLY

Required Tools For Assembly

- 3/4" Wrench
- 15/16" Socket and Ratchet
- 9/16" Wrench
- 1/2" Wrench
- Scissors
- Pliers
- Allen wrench set

Figure 1.

Bolt tines in place facing toward the front using the hardware as shown



ASSEMBLY

Figure 2.

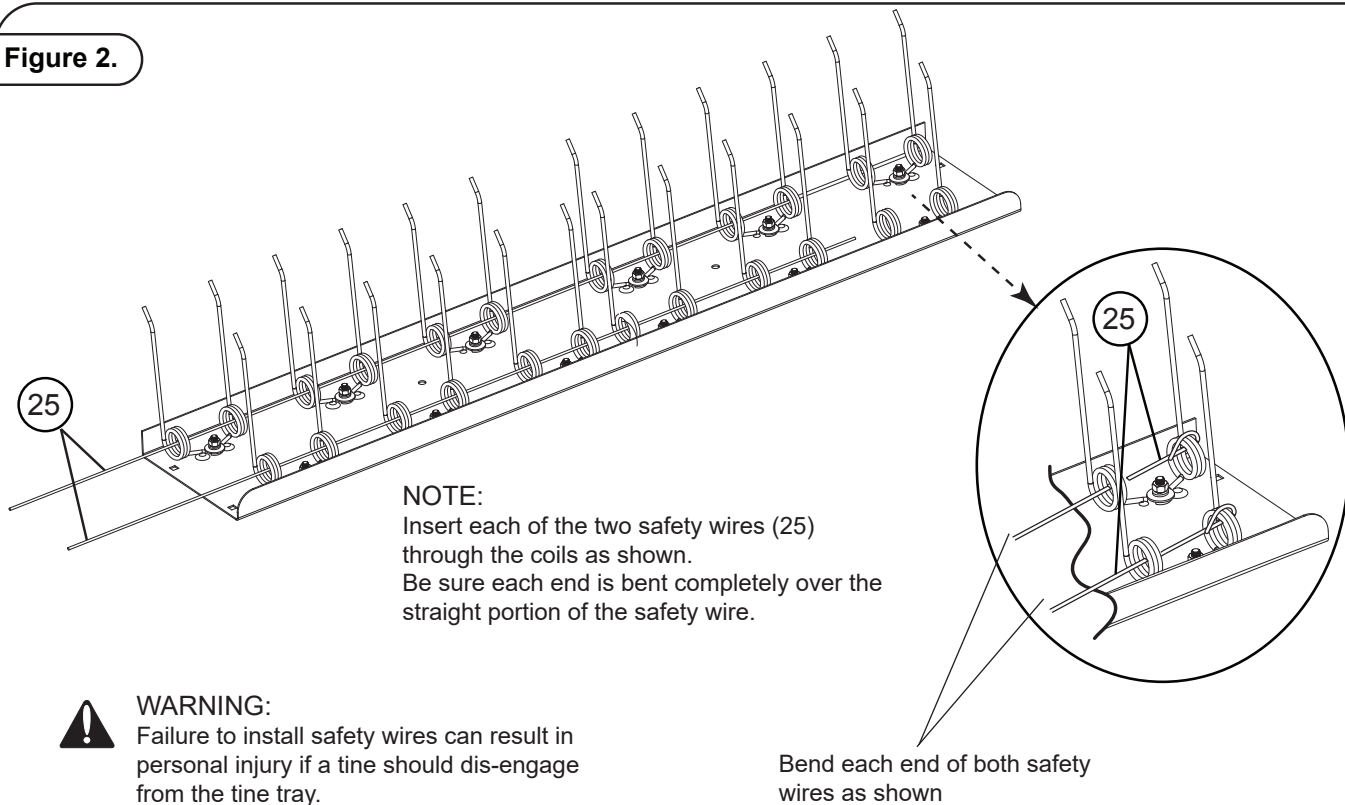
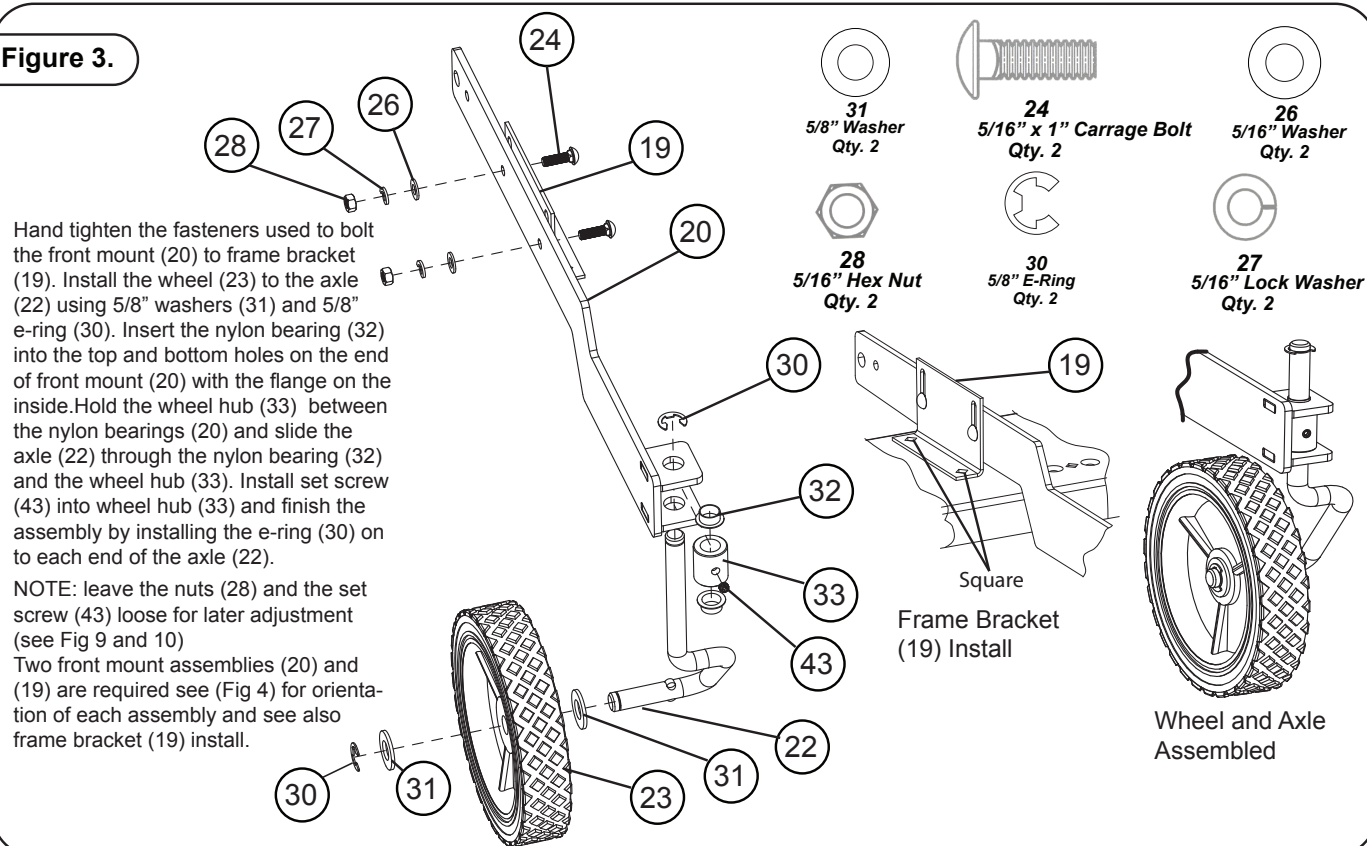


Figure 3.



ASSEMBLY

Figure 4.

Bolt frame brackets (19) to tray (21) using hardware as shown



24
5/16" x 1" Carriage Bolt
Qty. 4



26
5/16" Washer
Qty. 4



28
5/16" Hex Nut
Qty. 4



27
5/16" Lock Washer
Qty. 4

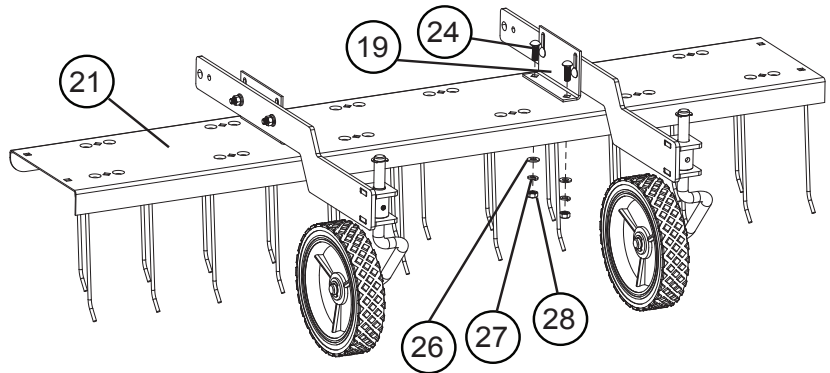
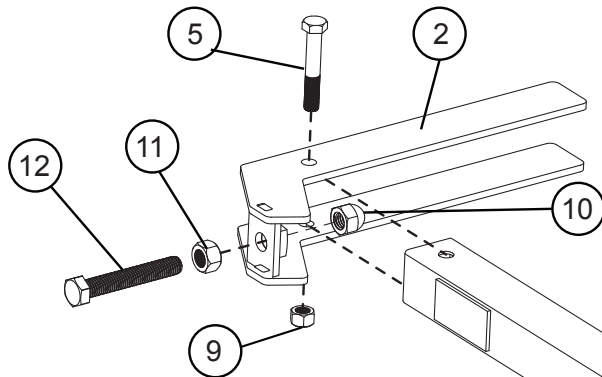


Figure 5.



5
1/2" x 3-1/2" Hex Bolt
Qty. 1

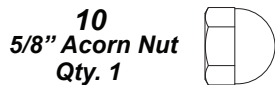


9
1/2" Nylon Lock Nut
Qty. 1



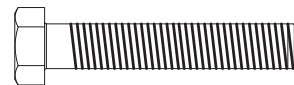
11
5/8" Hex Nut
Qty. 1

Bolt tube with decal (6) to clamp arm (2) using hardware shown, then install 5/8" x 4 hex bolt (12), 5/8" hex nut (11), and 5/8" acorn nut (10). NOTE: Tighten the 5/8" x 4 hex bolt (12) into the acorn nut (10) enough so flat side on the acorn nut (10) is flush with the welded nut on the clamp arm (2).



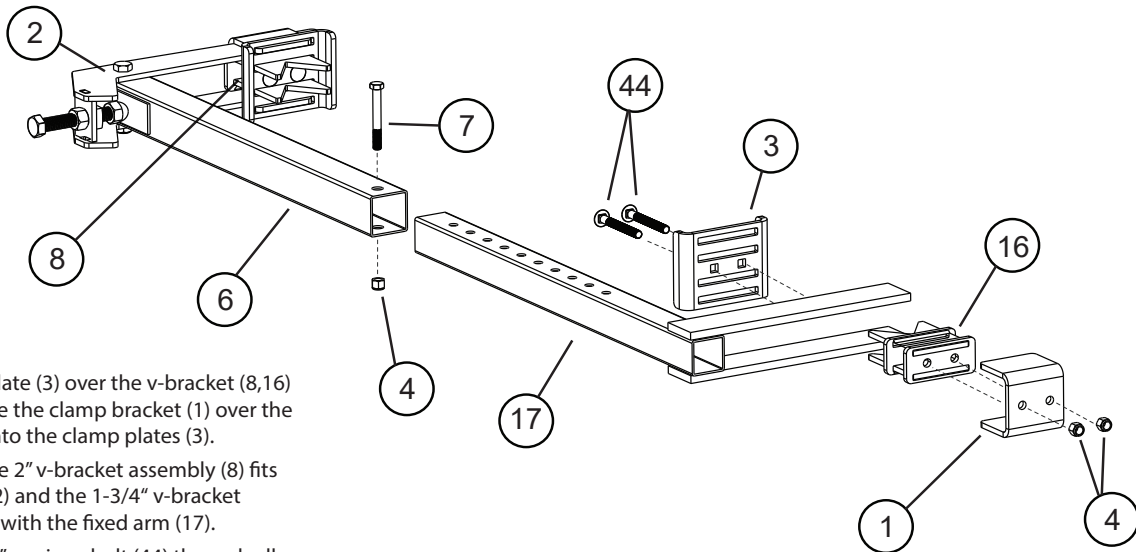
10
5/8" Acorn Nut
Qty. 1

12
5/8" x 4" Hex Bolt
Qty. 1



ASSEMBLY

Figure 6.



Slide the clamp plate (3) over the v-bracket (8,16) flanges, then slide the clamp bracket (1) over the v-bracket (8,16) into the clamp plates (3).

Make sure that the 2" v-bracket assembly (8) fits with clamp arm (2) and the 1-3/4" v-bracket assembly (16) fits with the fixed arm (17).

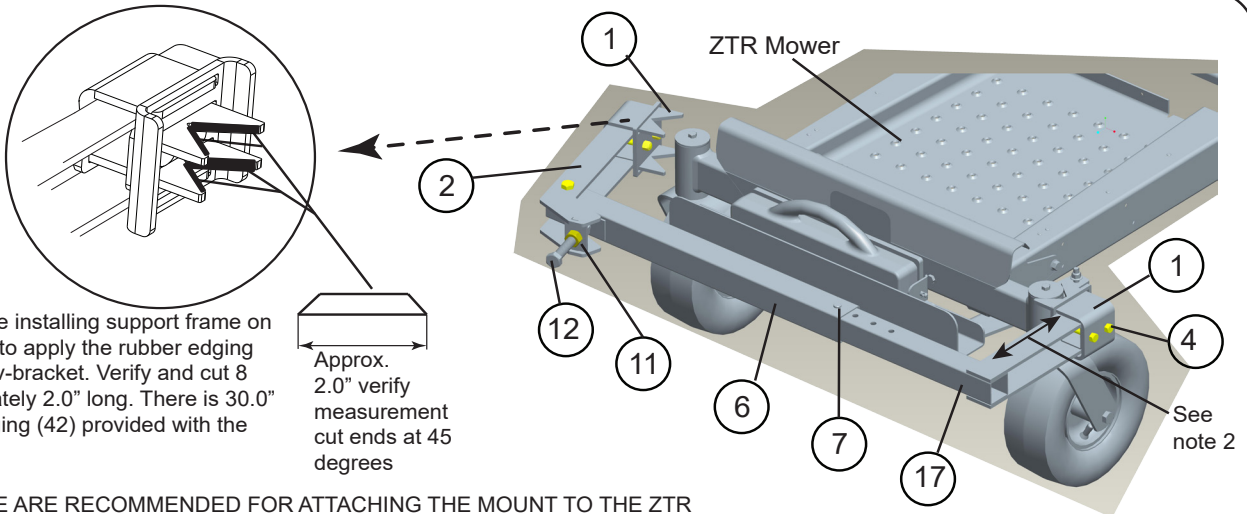
Insert 3/8" x 3-1/2" carriage bolt (44) through all parts and tighten the 3/8" nylon lock nuts (4) finger tight.

Slide each v-bracket assembly over the ends of the clamp arm (2) and the fixed arm (17)

Tighten the 3/8" nylon lock nuts down completely.

Slide the fixed arm (17) into the tube with decal (6) and bolt the two parts together keeping the 3/8" nylon lock nut finger tight for adjustment later.

Figure 7.



NOTE: Before installing support frame on ZTR be sure to apply the rubber edging (42) to each v-bracket. Verify and cut 8 pc approximately 2.0" long. There is 30.0" of rubber edging (42) provided with the dethatcher

Approx.
2.0" verify
measurement
cut ends at 45
degrees

TWO PEOPLE ARE RECOMMENDED FOR ATTACHING THE MOUNT TO THE ZTR

Pivot clamp arm (2) out as shown to allow it to be easily attached. With a partner hold the mount up to the casters of the tractor and swing the clamp arm back in so that it interfaces with the cylindrical tube above the wheel of the ZTR. Tighten 3/8" x 4" bolt (12) till the acorn nut interfaces that dimple plate located on the tube with decal (6). With a 15/16" wrench tighten 3/8" x 4" bolt (12) until mount is firmly attached to the ZTR, the ideal position of the clamp arm (2) when fully tightened it perpendicular (90°) to the tube with decal (6).

Note:

1) If clamp arm (2) is not perpendicular to tube with decal (6) loosen the 3/8" x 4" bolt (12) and remove mount. Remove 3/8" x 3-1/2" bolt (7) and 3/8" nut (4) and move tube with decal in or out over fixed arm mount (17) to readjust depending if you need to fit a smaller or wider frame respectively.

2) To keep the gap between the back of the mount and the front of the ZTR as small as possible the two "V" brackets (8,16) can be adjusted by loosening the 3/8" lock nut (4) and sliding the entire assembly back toward the front of the ZTR. Always keep the mount parallel with the front of the ZTR.

Once adjustments are made ensure that all nuts and bolts are tightened and that the mount is VERY secure to the front of the ZTR.

ASSEMBLY

Figure 8.

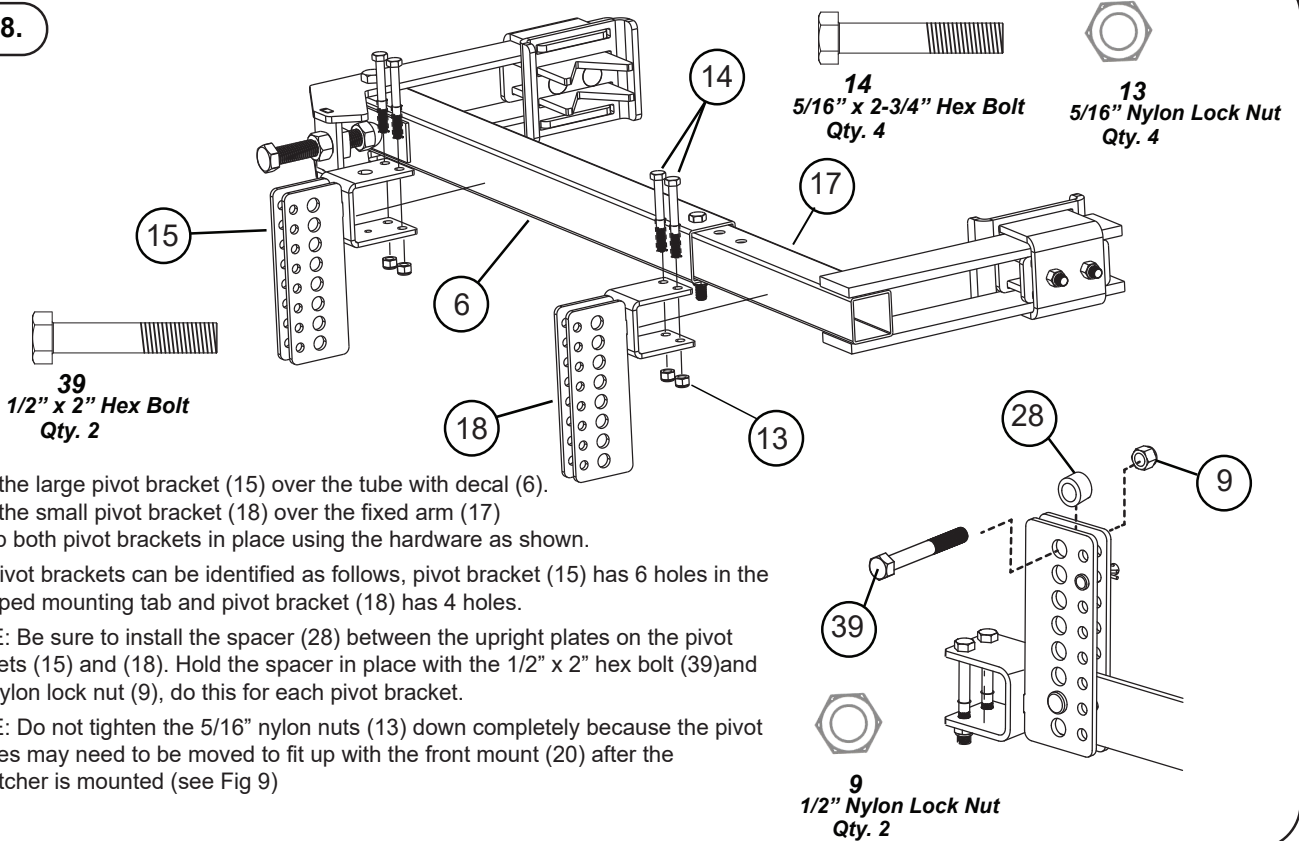
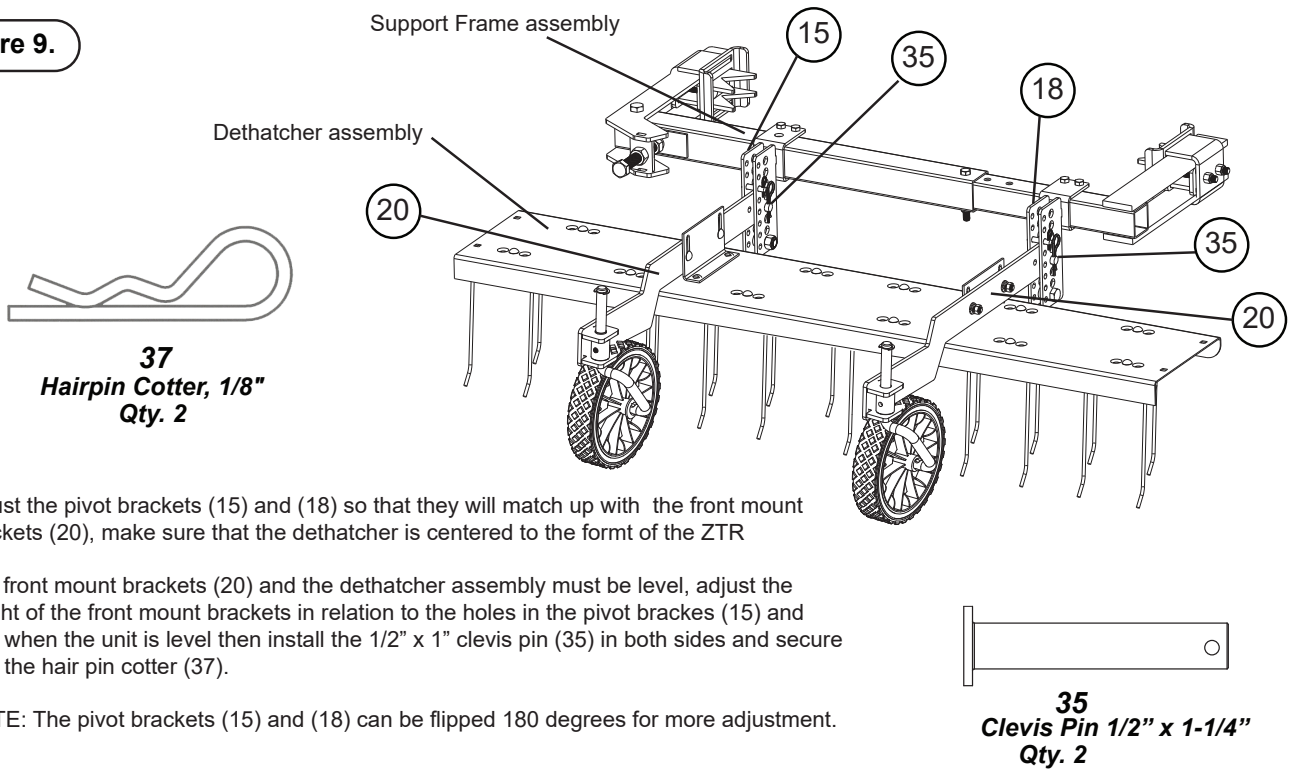


Figure 9.



OPERATION

Figure 10.

The dethatcher can be used in two ways
To set up for dethatching grass see step 1
To scarify the ground see step 2

1-SETTING THE DETHATCH HEIGHT:

- To set the tine height select a smooth flat surface such as a drive way, sidewalk or garage floor.
- Place a 1/2" shim board to support the front and back row of tines as shown, the wheels must be on the flat surface.
- Use the slots in the frame bracket (19) to help level the dethatcher
- Be sure the tines are resting on the board and tighten the 5/16" x 1" carriage bolts (24) and 5/16" hex nuts (28) from Figure 3.
- After step 1 be sure both mounts (20) are level with the ground and tighten both set screws (43)

2-SETTING THE SCARIFY HEIGHT:

- To set the tine height select a smooth flat surface such as a drive way, sidewalk or garage floor.
- Use the slots in the frame bracket (19) to help level the dethatcher
- Be sure the tines are resting on the smooth surface and tighten the 5/16"x 1" carriage bolts (24) and 5/16" hex nuts (28) from Figure 3.
- After step 2 be sure both mounts (20) are level with the ground and tighten both set screws (43)

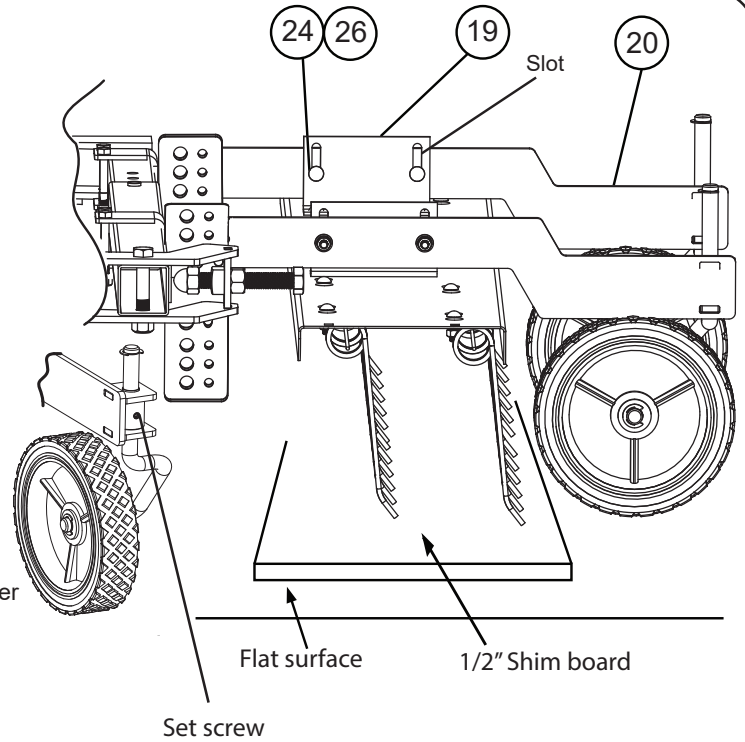
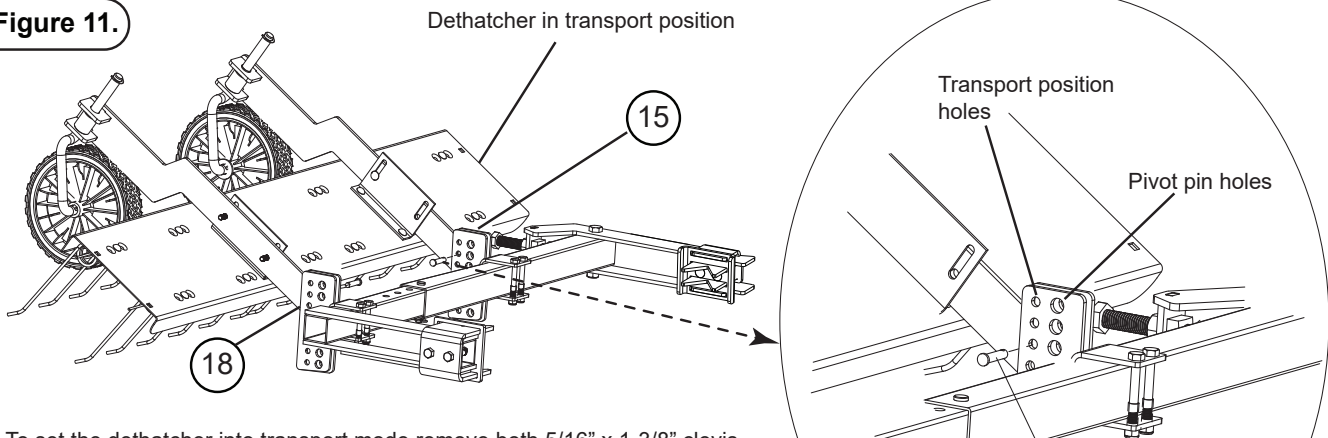
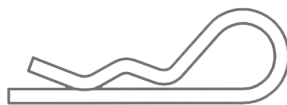


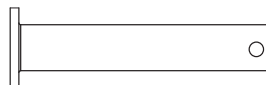
Figure 11.



To set the dethatcher into transport mode remove both 5/16" x 1-3/8" clevis pins (34) from both the pivot brackets (15) and (18). Rotate the dethatcher up as shown and replace both 5/16" x 1-3/8" clevis pins (34) into the next higher set of transport holes in the pivot brackets (15) and (18) and secure with hair pin cotter (36).



36
Hairpin Cotter, .08"
Qty. 2



34
Clevis Pin 5/16" x 1-3/8"
Qty. 2

OPERATION

USAGE



CAUTION: Avoid Injury! Avoid damage to tines. Use Transport Setting when towing the Dethatcher across concrete or asphalt driveways and walkways.

Safety Glasses should be worn when using the Dethatcher.

Excessive load can cause loss of control on slopes. Stopping distance increases with speed and weight of towed load.

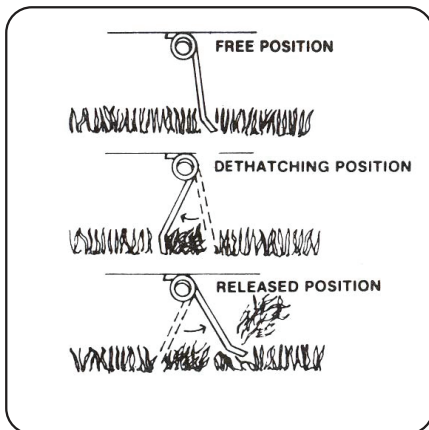
To use the front mounted dethatcher it is recommended that the front weight kit be removed, unless the ZTR manual or manual for rear attachment requires front weight ; then leave weight kit on and use as instructed.

DETHATCHER WEIGHT

NOTE do not put extra weight into the Dethatcher Tray:

Model	Weight
DTZ-48BH	70 lbs - (Dethatcher Dry Wgt.)

GRASS HEIGHT AND TINE ACTION



Grass should be less than 3" tall for proper Tine action in Dethatch Setting.

When in use, Tines on the Dethatcher should deflect back and 'flip' the thatch forward as shown.

If the Tines seem to drag without flipping forward, the Tray is too low and should be raised.

If the Tines stay in the free position, the tray is too high and should be lowered.

Make adjustments as necessary, up or down, by no more than 1/4" each time, until proper results are achieved.

If the Dethatcher appears to be 'jumping' or 'walking' during operation:

- Confirm the dethatcher Tine height is adjusted properly.
- Confirm all nuts and bolts that secure the dethatcher to the front mount are tight.

SPEED

The best operating speed is 3 mph or less. Maximum operating speed is 5 mph.

FREQUENCY

- You can dethatch your lawn in summer, fall and when the lawn is dormant in winter. Dethatching is not recommended during the start of active growth.
- An appropriate time to dethatch a cool-season lawn is early fall or early spring.
- An appropriate time to dethatch a warm-season lawn is early summer.
- A moderate to dry lawn condition is recommended when dethatching.
- It may take several passes to entirely dethatch your lawn. Make each pass in the same direction to avoid damage to grass roots.
- The process of dethatching can leave your lawn unsightly. Be patient. With proper fertilization and watering, your lawn will grow strong and full.
- The Dethatcher may be used in an independent operation or may be used when mowing your lawn.

STORAGE AND MAINTENANCE

MAINTENANCE

The key to years of trouble-free service is to keep your Dethatcher clean and dry.

After the first 30 minutes of use, check all fasteners for tightness. Thereafter, periodically check all fasteners for tightness.



CAUTION: Avoid Injury! Do not operate Dethatcher without Safety Wires installed. Failure to keep Safety Wires installed can result in personal injury if a Tine should disengage from the Dethatcher Tray.

Tines are manufactured and tested for high quality and durability. However, should a Tine need replacement, contact the Brinly-Hardy customer service department to purchase replacement Tines and Safety Wires. Tines can be serviced as follows:

1. Straighten bend at the end of the Safety Wire and remove from Tine row.
2. Using a screwdriver or similar tool, pry the tabs open that are holding the Tine in need of service. Tabs can also be opened by tapping them down from the top of the Dethatcher Tray.
3. Remove Tine and replace with new Tine.
4. While holding the new Tine in position, bend the tabs back into the closed position.
5. Reinstall the Safety Wire.

Ensure to thread the Safety Wire through each Tine loop and holes in Tray tabs. Re-Bend end of the Safety Wire to hold Tine row. Ensure both bent ends of the Safety Wire are bent around the outer most Tine loop.

Apply a light coat of oil on tines after use to prevent rust.

For rust appearing on painted surfaces, sand lightly and paint affected area with enamel.

Periodically remove debris that builds up between Tines.

Check all moving parts for free movement and if necessary lubricate with oil.

STORAGE



CAUTION: Avoid Injury! The Dethatcher Tines are sharp. Care should be taken when choosing a storage location for this product.

Store Dethatcher in low traffic aisle ways.

Store Dethatcher with Tine points facing the wall or ground.

Store Dethatcher on the ground or low to the ground.

Do not store Dethatcher hanging from the wall, ceiling or with Tine points facing outward.

Drawbar is a trip hazard. Avoid leaving Drawbar in aisle ways and walking paths.



MANUFACTURER'S LIMITED WARRANTY
DETHATCHERS

The limited warranty set forth below is given by Brinly-Hardy Company with respect to new merchandise purchased and used in the United States (its possessions and territories) and Canada.

Brinly-Hardy Company warrants the products listed below against defects in material and workmanship, and will at its option, repair or replace, free of charge, any part found to be defective in materials or workmanship. This limited warranty shall only apply if this product has been assembled, operated, and maintained in accordance with the Operator's manual furnished with the product, and has not been subject to misuse, abuse, commercial use, neglect, accident, improper maintenance, alteration, vandalism, theft, fire, water, or damage because of other peril or natural disaster.

Parts found to be defective within the warranty period will be replaced at our expense. Our obligation under this warranty is expressly limited to the replacement or repair, at our option, of parts found to be defective in material and workmanship.

HOW TO OBTAIN SERVICE: Warranty parts replacements are available, only with proof of purchase, through our Customer Service Department. Call 877-728-8224.

This limited warranty does not provide coverage in the following cases:

- a. Routine maintenance items such as lubricants & filters.
- b. Normal deterioration of exterior finish due to use or exposure.
- c. Transportation and/or labor charges.
- d. The warranty does not include commercial and/or rental use.

No implied warranty, including any implied warranty of merchantability of fitness for a particular purpose, applies after the applicable period of express written warranty above as to the part as identified below. No other express warranty whether written or oral, except as mentioned above, given by any person or entity, including a dealer or retailer, with respect to any product, shall bind Brinly-Hardy Co. During the period of the warranty, the exclusive remedy is repair or replacement of the product as set forth above.

The provisions as set forth in this warranty provide the sole and exclusive remedy arising from the sale. Brinly-Hardy Co. shall not be liable for incidental or consequential loss or damage including, without limitation, expenses incurred for substitute or replacement lawn care services or for rental expenses to temporarily replace a warranted product.

Some states do not allow the exclusion or limitation of incidental or consequential damages, or limitations on how long an implied warranty lasts, so the above exclusions or limitations may not apply to you.

During the warranty period, the exclusive remedy is replacement of the part. In no event shall recovery of any kind be greater than the amount of the purchase price of the product sold. Alteration of safety features of the product shall void this warranty. You assume the risk and liability for loss, damage, or injury to you and your property and/or to others and their property arising out of the misuse or inability

to use this product. **NOTE:** *This limited warranty shall not extend to anyone other than the original purchaser or to the person for whom it was purchased as a gift.*

This limited warranty lasts as long you own your product purchased from an authorized seller. **Coverage terminates once you sell or otherwise transfer the product.**

This limited warranty does not cover any purchaser other than the original purchaser of the product, nor does it cover any product purchased from an unauthorized third-party. If you are not the original purchaser of this product, your product is not covered by our limited warranty and you take the product "AS IS" and "with all faults."

We may require proof of purchase from you demonstrating that you are the original purchaser of the product, purchased the product from an authorized dealer, and are eligible to make a valid claim under this limited warranty.

How state law relates to this warranty: This limited warranty gives you specific legal rights, and you may also have other rights which vary from state to state.

IMPORTANT:

The Warranty period stated below begins with the proof of purchase. Without the proof of purchase, the Warranty period begins from the date of manufacture determined by the serial number manufacturing date. All parts replaced under warranty will be considered as part of the original product, and any warranty on the replaced parts will expire coincident with the original product warranty.

WARRANTY PERIOD:

See applicable parts listed below.

Standard / Residential Use:

Steel Frame & Steel Parts	2 years
Tines	90 days
Tires / Wheels	90 days
Drive: Chain & Sprocket	90 days

All other normal wear parts or component failures will be covered on this product for a period of 90 days.

If this equipment is being used in a commercial application and / or for multiple properties, the warranty is 90 days after purchase for all parts.