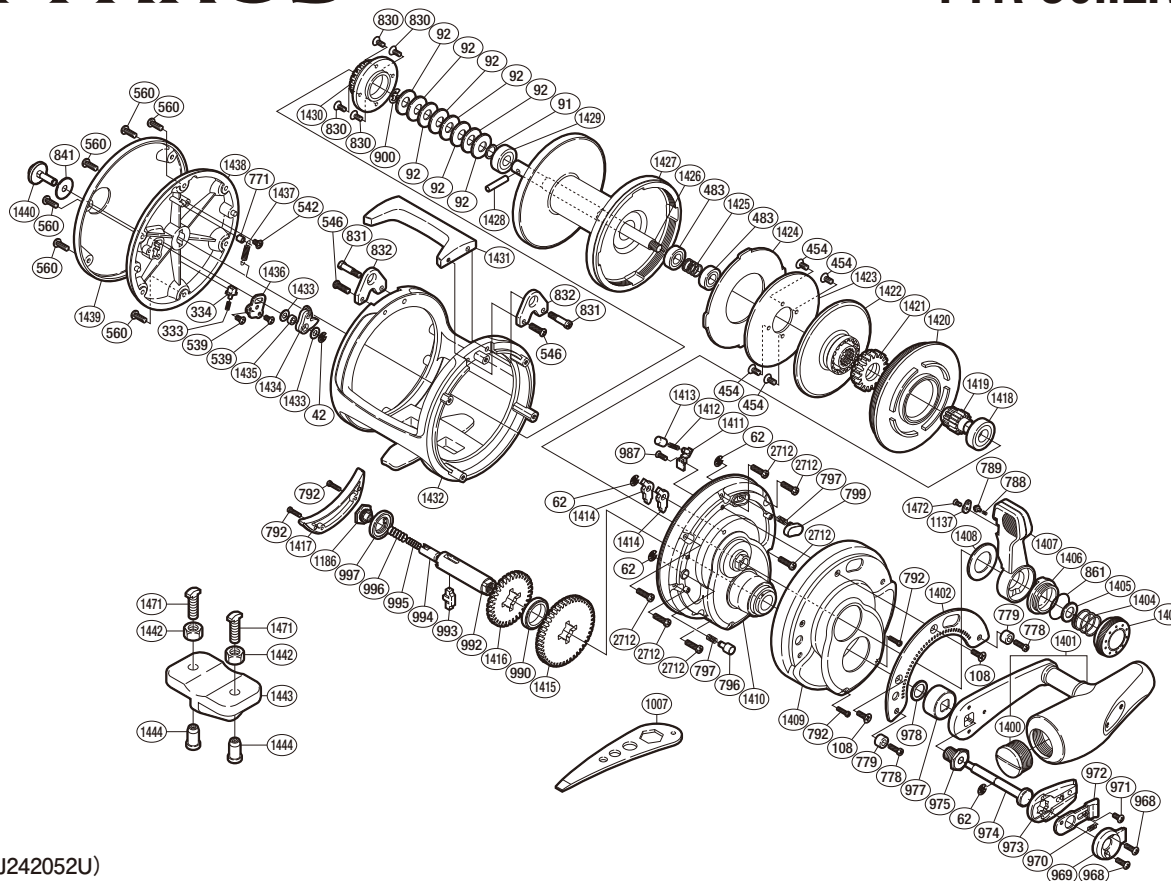


SHIMANO

TYRNOS

TYR-50IILRS



(51RJ242052U)

#	Part No.	Description	#	Part No.	Description	#	Part No.	Description
42	105NE	E Lock	973	10QUC	Handle Bolt Plate	1418	104JN	Ball Bearing
62	105NK	E Lock	974	10LS3	Push Low Button Shaft	1419	10ALJ	Pinion Gear A
91	104L5	Bearing Thrust Washer	975	106XL	Handle Bolt	1420	106AF	Cooling Shield
92	1052E	Coned Disc Spring	977	107QU	Drive Shaft Shield	1421	10HUB	Pinion Gear B
108	10MLF	Screw	978	10AMF	Washer	1422	10ALS	Pinion Guard
333	104MT	Click Spring	987	10MKV	Screw	1423	10G3Z	Drag Plate
334	104B8	Click Spring Holder	990	10D61	Friction Washer	1424	1060L	Drag Washer
454	10MLH	Screw	992	10999	Drive Shaft	1425	105XA	Pressure Release Spring
483	10KXC	Ball Bearing	993	10KXH	Gear Select Cross Bar	1426	10EU5	Main Shaft
539	10QG5	Screw	994	10KXL	Cross Bar Stop	1427	1032W	Spool
542	10K8T	Screw	995	109VM	Drive Shaft Spring B	1428	104L8	Cross Pin
546	10L9T	Screw	996	10KXQ	Drive Shaft Spring	1429	10KAA	Ball Bearing
560	10M6Z	Screw	997	10D5B	Friction Washer	1430	10672	Click Gear
771	10549	Click Pawl Spring Boss Ring	1137	10MFU	Lever Click Cover	1431	10EUM	Cross Bar
778	10M2Q	Screw	1186	10MY6	Drive Shaft Screw	1432	10K8L	One-Piece Frame
779	10CCH	Screw Shield	1400	105ZE	Handle Knob Bushing	1433	10AG3	Spacer
788	10MFS	Lever Click Shoe	1401	102UP	Handle Assembly	1434	10LEV	Click Pawl
789	10MFR	Lever Click	1402	10M68	Lever Quadrant	1435	10NXQ	Click Pawl Bushing
792	10LPQ	Screw	1403	10HMH	Pre-Program Dial	1436	1050G	Click Spring Retainer
796	10BND	Free Spool Detent	1404	108H7	Dial Spring	1437	10NRX	Click Pawl Spring
797	10BNL	Pressure Spring	1405	10EWS	Washer	1438	10547	Left Side Plate
799	10BSP	Strike Stop	1406	10CAK	Lever Shaft Body	1439	10NXD	Left Side Plate Cover
830	10PHQ	Screw	1407	10M63	Drag Control Lever	1440	1054M	Click Button
831	10HRX	Harness Lug Screw	1408	108DF	Lever Thrust Washer	1472	10MKW	Screw
832	10PYG	Harness Lug	1409	10M24	Right Side Plate Cover	2712	10SVL	Screw
841	10NMY	Click Button Spacer	1410	10HMA	Right Side Plate			
861	108W8	O Ring	1411	10N0N	Guard Against Dog	1442	10JCG	Rod Clamp Nut B (Accessory)
900	105RZ	E Lock	1412	10CBQ	Dog Spring	1443	10J9P	Rod Clamp (Accessory)
968	10PHN	Screw	1413	10Q2W	Dog Spring Guide	1444	10JC3	Rod Clamp Nut A (Accessory)
969	109XD	Push Button Shield	1414	10N4S	Anti-Reverse Pawl	1471	10J9W	Rod Clamp Bolt (Accessory)
970	10PWH	Slide Plate Spring	1415	109ER	Drive Gear A			
971	10LZ9	Screw	1416	10LS2	Drive Gear B			
972	109XC	Slide Plate	1417	10MFn	Right Side Seal	1007	10MJ3	Wrench (Accessory)

Please note that the number of adjusting washers may not be the same as shown in the exploded views.
(Adjustment will vary with each individual product.)

(230719)_003