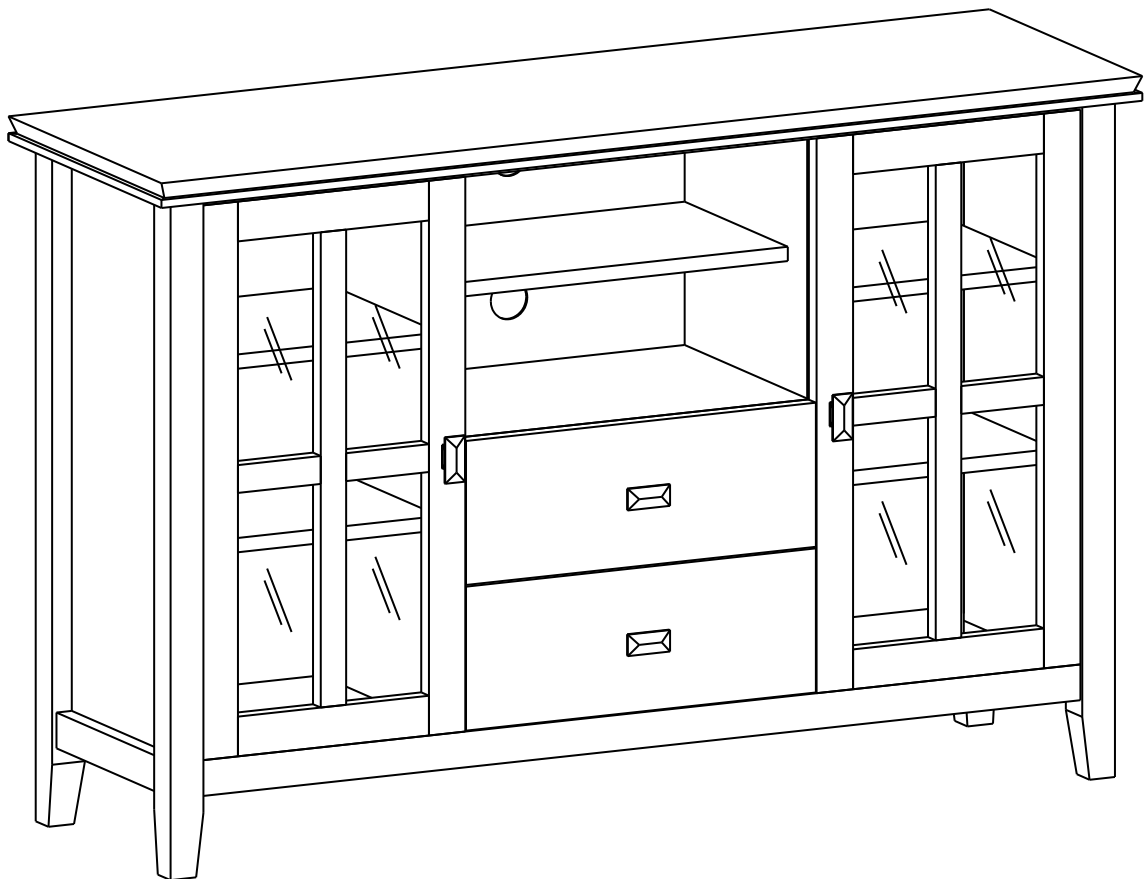


ARTISAN / HOLDEN / STRATFORD

TALL TV MEDIA STAND

MODEL # AXCHOL005





**FOR REPLACEMENT PARTS OR HELP WITH
ASSEMBLY PLEASE CONTACT US AT:**

simpli-home.com/customer-support

**PLEASE ENSURE TO HAVE THE MODEL #
FROM THE PACKAGING OR INSTRUCTION BOOKLET**

**TO RETURN THE PRODUCT:
PLEASE CONTACT THE RETAILER
WHERE THE ITEM WAS PURCHASED FROM**



**ENTER
TO WIN**

**Upload an image of our furniture
in your home with a short review
to our facebook page for a chance to**

**Win up to \$3000 of
Simpli Home furniture!!!**

www.facebook.com/simplihomefurnishings



IMPORTANT : Please read this manual carefully before beginning assembly of this product. Keep this manual for future reference.

SAFETY INFORMATION

CAUTION: Injuries and damage can occur from furniture tip over if product is not properly anchored to the wall. Use the Furniture Anti-Tipping Restraint provided with the product. Consult our assembly instructions for help.

If the Furniture Anti-Tipping Restraint kit is not in the box, please contact our customer service department in order to obtain another kit before using the furniture.

Identify all the parts and hardware. Do not discard of the packaging until you have checked that you have all of the parts and hardware required. Hardware package may have spare parts.

WARNING: This item contains small parts which can be swallowed by children and pets. Keep children and pets away during assembly. To avoid danger of suffocation, always keep plastic bags away from children and pets. We recommend that you assemble this unit on a carpeted floor to avoid scratches. If using power tools, set the tool to low torque to avoid damage.

May require 2 people for ease of assembly.

CARE and MAINTENANCE

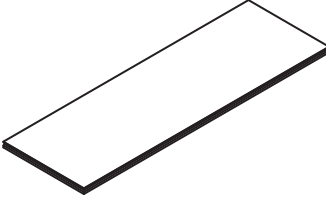
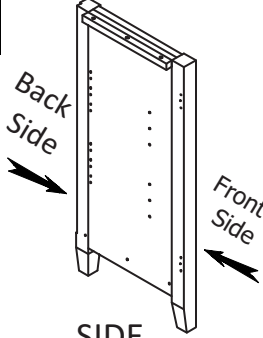
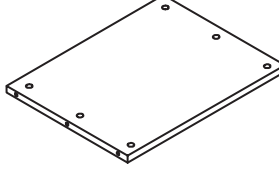
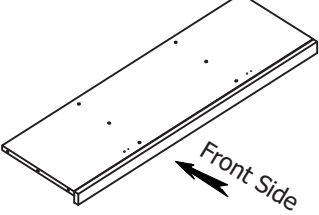
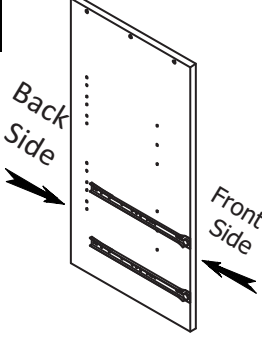

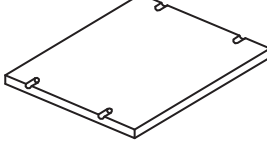
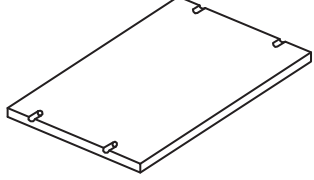
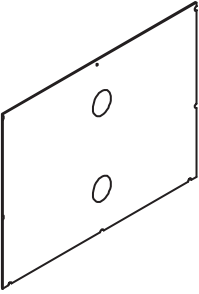
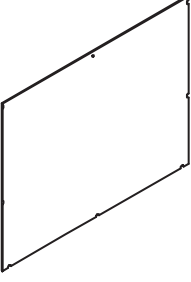

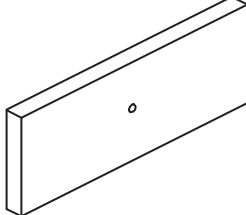
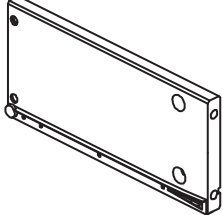
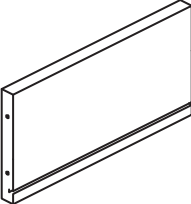
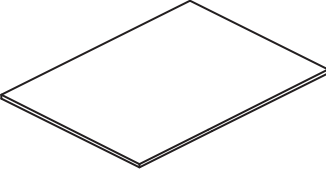
To clean, use a soft or slightly damp cloth, then wipe with a clean, dry cloth. Dust with soft dry cloth.

Do not use ammonia-based cleaning products, as they will damage the finish. Do not leave liquids or damp cloths on this furniture.

To avoid dulling of the finish, do not place furniture in direct sunlight.

Please inspect and tighten all screws or bolts on a regular basis to ensure proper performance and safety of your item.

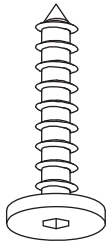
PARTS DESCRIPTION

<p>A</p>  <p>TOP QTY 1</p>	<p>B</p>  <p>SIDE QTY 1 PAIR</p>	<p>C</p>  <p>CENTRE SHELF QTY 1</p>	<p>D</p>  <p>BOTTOM SHELF QTY 1</p>
<p>E</p>  <p>DIVIDER QTY 1 PAIR</p>	<p>F</p>  <p>DOOR QTY 1 PAIR</p>	<p>G</p>  <p>SHELF PART QTY 4</p>	<p>H</p>  <p>SHELF PART QTY 1</p>
<p>I</p>  <p>BACK PANEL QTY 1</p>	<p>J</p>  <p>BACK PANEL QTY 1</p>	<p>K</p>  <p>BACK PANEL QTY 1 PAIR</p>	<p>L</p>  <p>DRAWER FRONT QTY 2</p>
<p>M</p>  <p>DRAWER SIDE QTY 2 PAIRS</p>	<p>N</p>  <p>DRAWER BACK QTY 2</p>	<p>O</p>  <p>DRAWER BOTTOM QTY 2</p>	

NEED HELP? For help with assembly or if you are missing a part,
Please call customer service at 1-866-518-0120 ext. 262 (9 am to 4 pm EST)

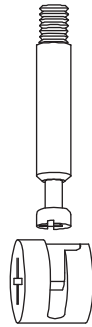
HARDWARE DESCRIPTION

1



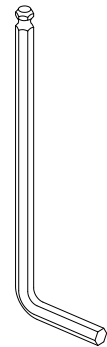
ALLEN KEY SCREW
M6 X 30 mm
QTY 26

2



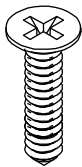
CAM LOCK PIN
CAM LOCK
QTY 20 SETS

3



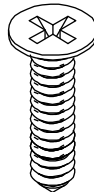
ALLEN KEY
QTY 1

4



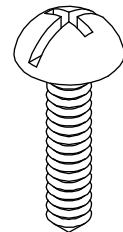
PHILLIPS SCREW
M3 X 12 mm
QTY 12

5



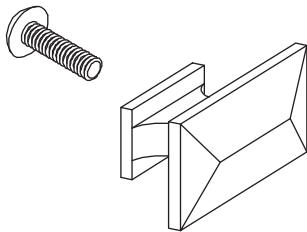
PHILLIPS SCREW
M3 X 15 mm
QTY 8

6



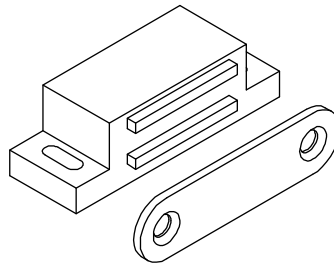
PHILLIPS SCREW ROUND HEAD
M4 X 15 mm
QTY 25

7



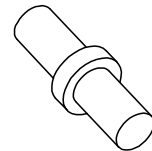
HANDLE
M4 X 27 mm
QTY 4 SETS

8



MAGNET AND PLATE
QTY 2 SETS




9



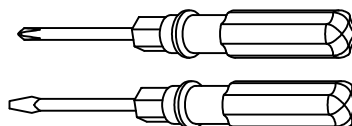
SHELF SUPPORT
QTY 30

10



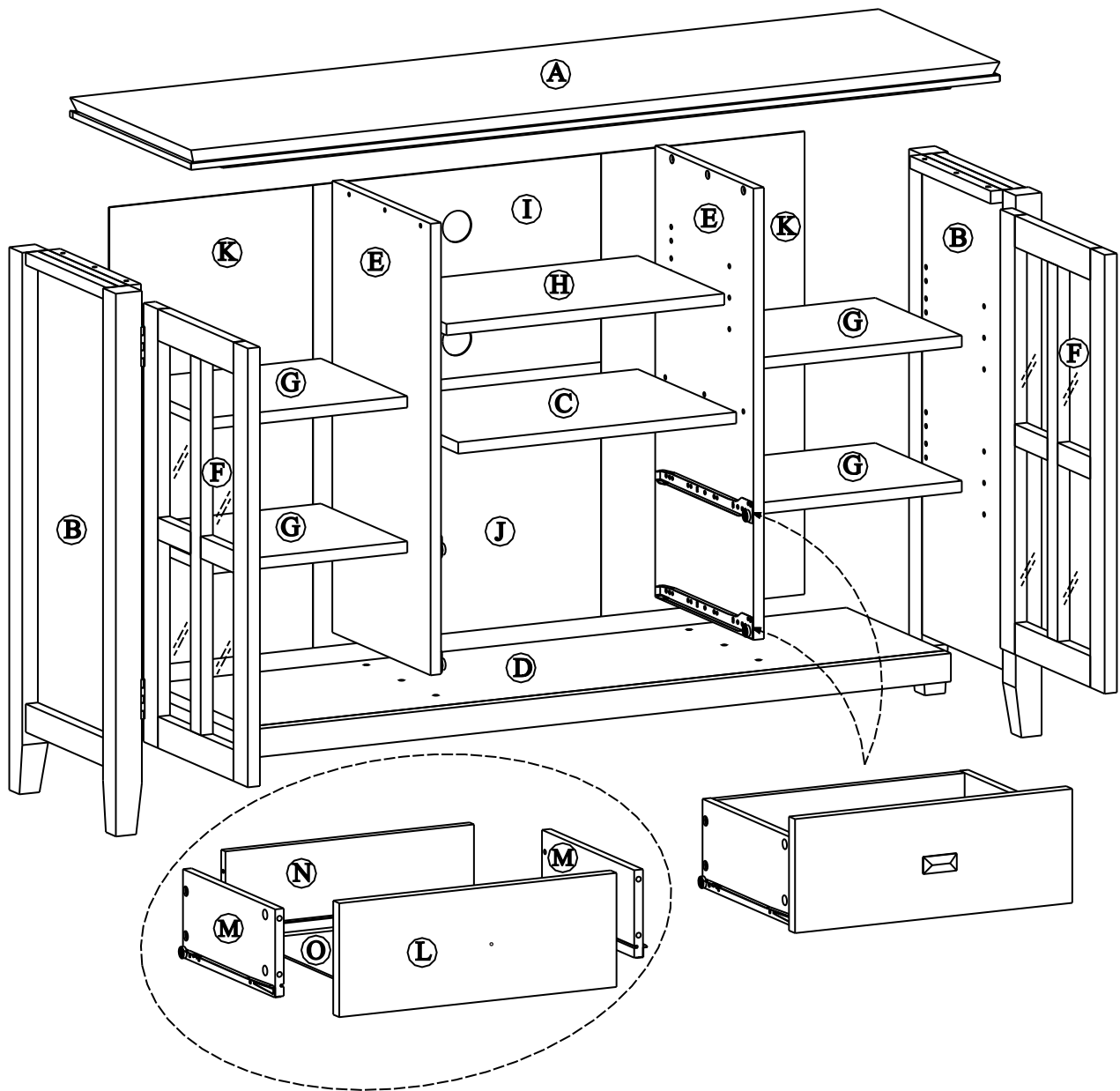
- a.  M4 X 25 mm - QTY 1
- b.  M4 X 15 mm - QTY 1
- c.  M4 X 25 mm - QTY 1

FURNITURE ANTI-TIPPING RESTRAINT
QTY 1 SET

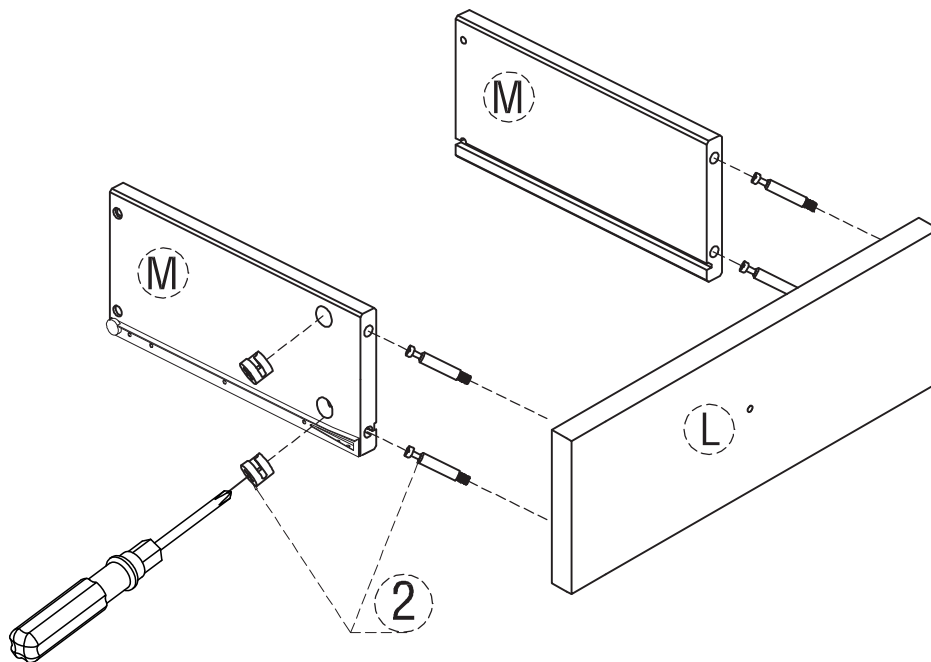


Required -
Flathead screwdriver
Phillips screwdriver
Not Included

NEED HELP? For help with assembly or if you are missing a part,
Please call customer service at 1-866-518-0120 ext. 262 (9 am to 4 pm EST)

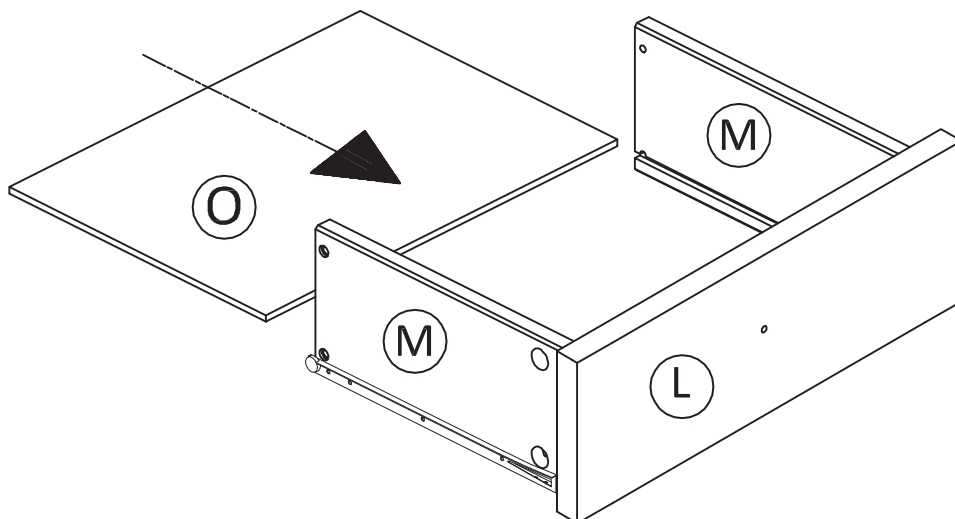


STEP 1



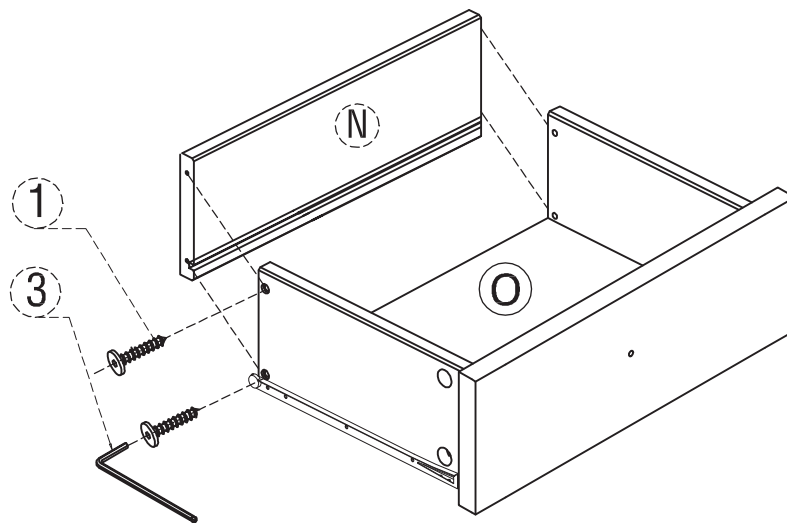
1. Attach 4 Cam Lock Pins (2) to back of Drawer Front (L).
2. Insert 2 Cam Locks (2) into pre-drilled holes on each Drawer Side (M).
3. Align Cam Lock Pins with Cam Lock and attach Drawer Side (M).
4. Use flathead screwdriver secure Cam Locks.

STEP 2



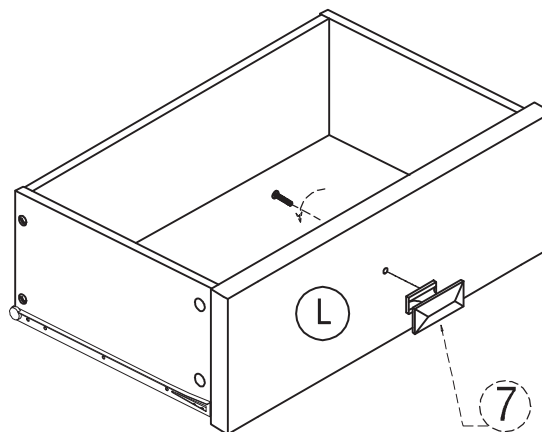
1. Slide Drawer Bottom (O) firmly into slots on Drawer Sides (M) and Drawer Front (L).

STEP 3



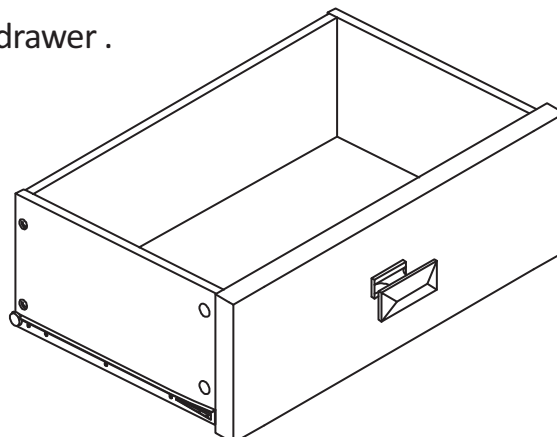
1. Align Drawer Back (N) with Drawer Bottom (O) and press firmly into slot.
2. Attach back using 2 Allen Key Screws (1) through pre-drilled holes on each side.
3. Use Allen Key (3) to tighten. Do not over tighten.

STEP 4

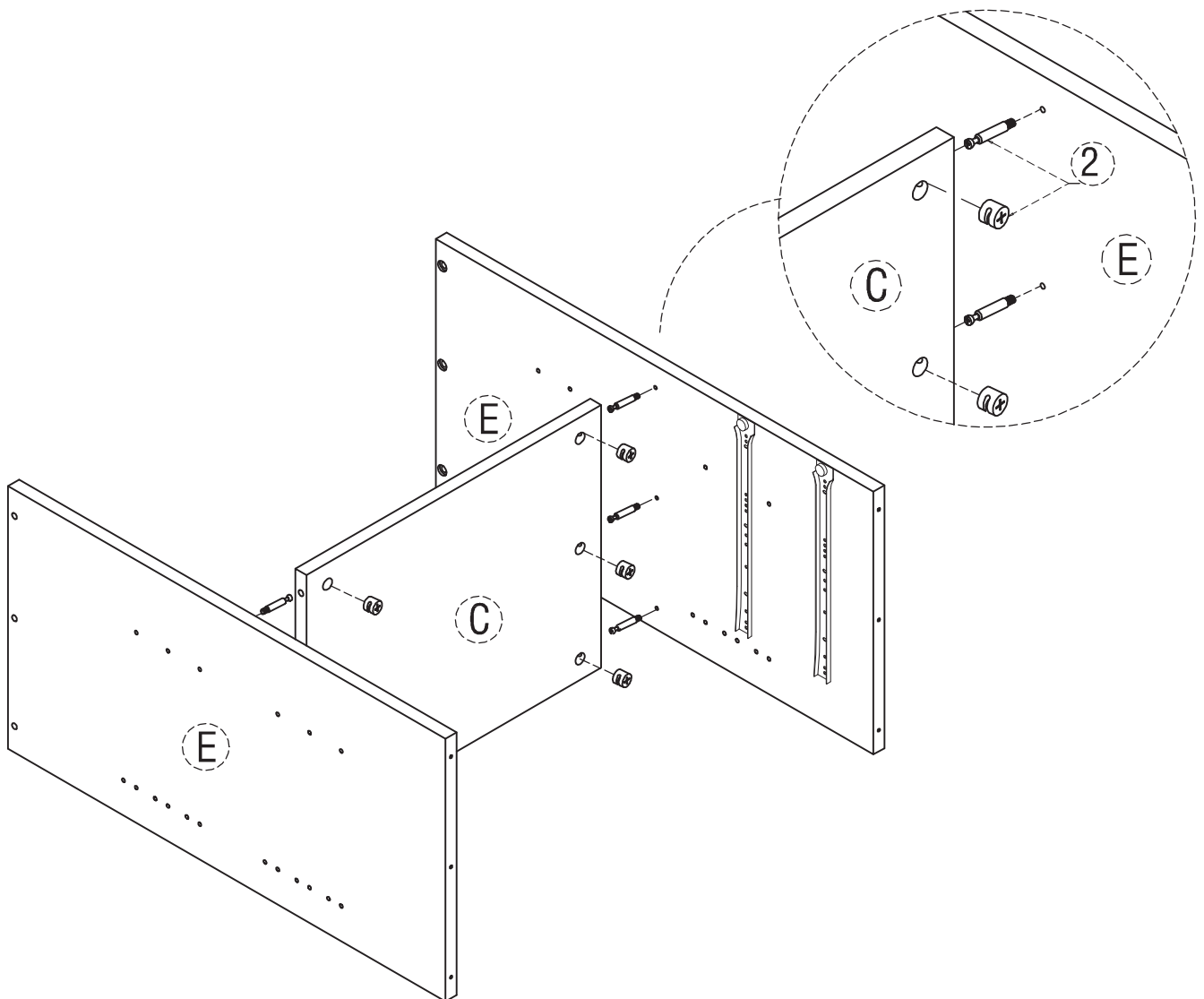


1. Use Phillips screwdriver to attach Handle (7) to Drawer Front (L).

Repeat Step 1-4 for the second drawer .

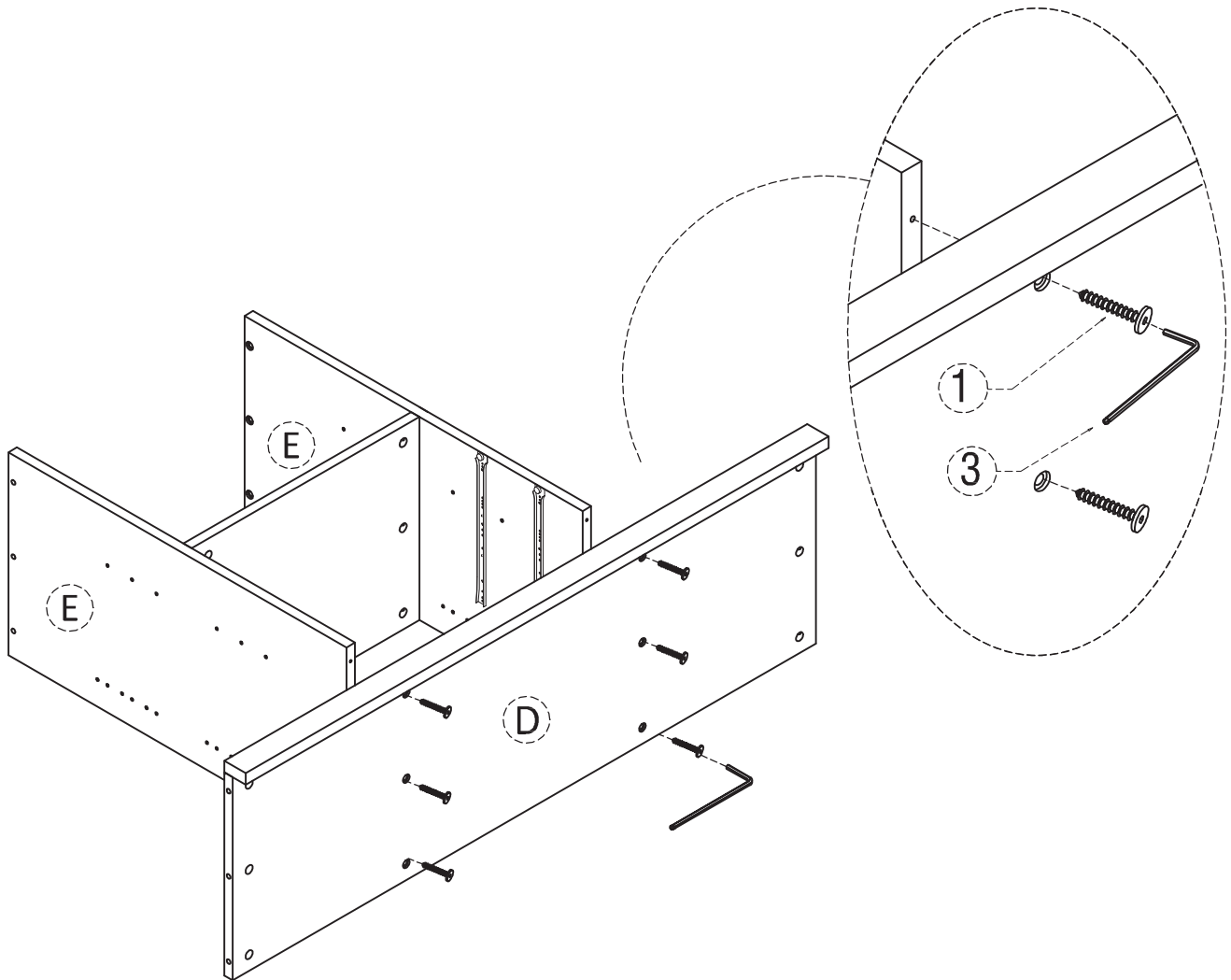


STEP 5



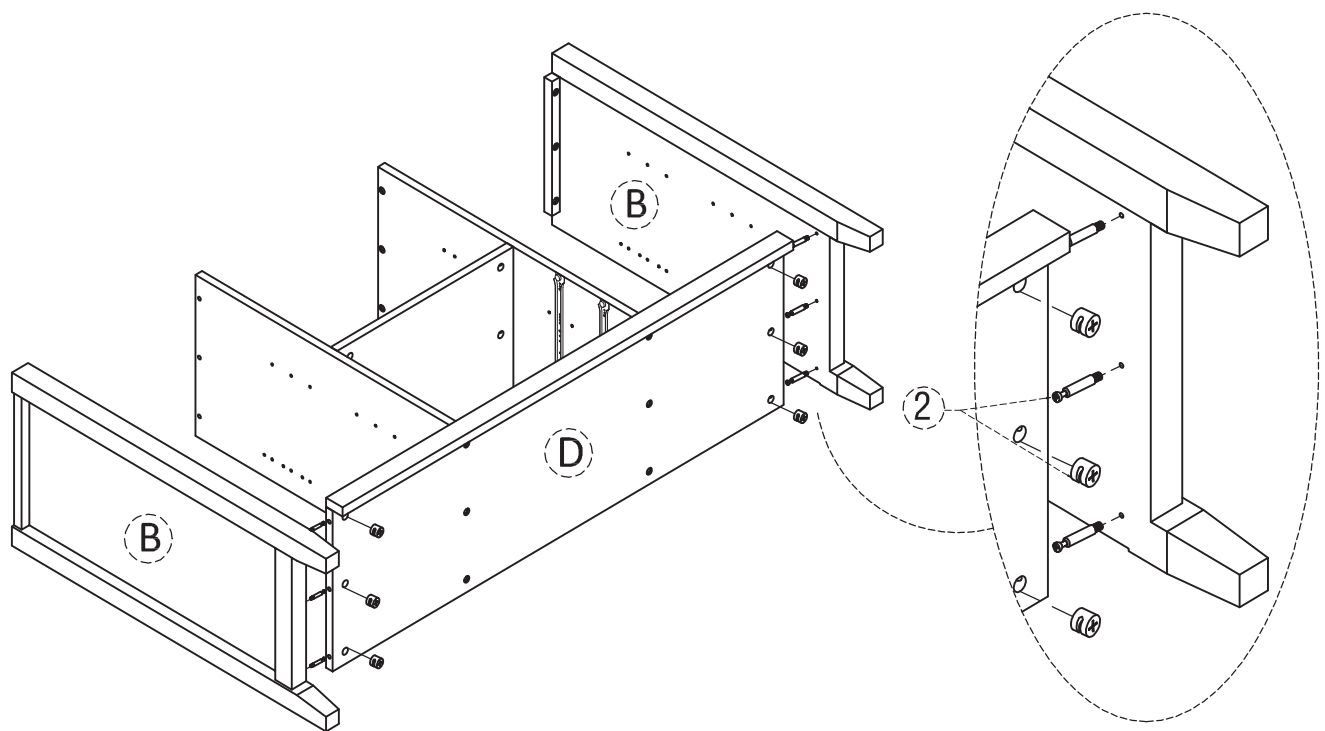
1. Attach 3 Cam Lock Pins (2) to each Divider (E).
2. Align Cam Lock Pins with pre-drilled holes and attach Center Shelf (C).
3. Insert 6 Cam Locks (2) into pre-drilled holes on Center Shelf (C).
4. Use flathead screwdriver secure Cam Locks.

STEP 6



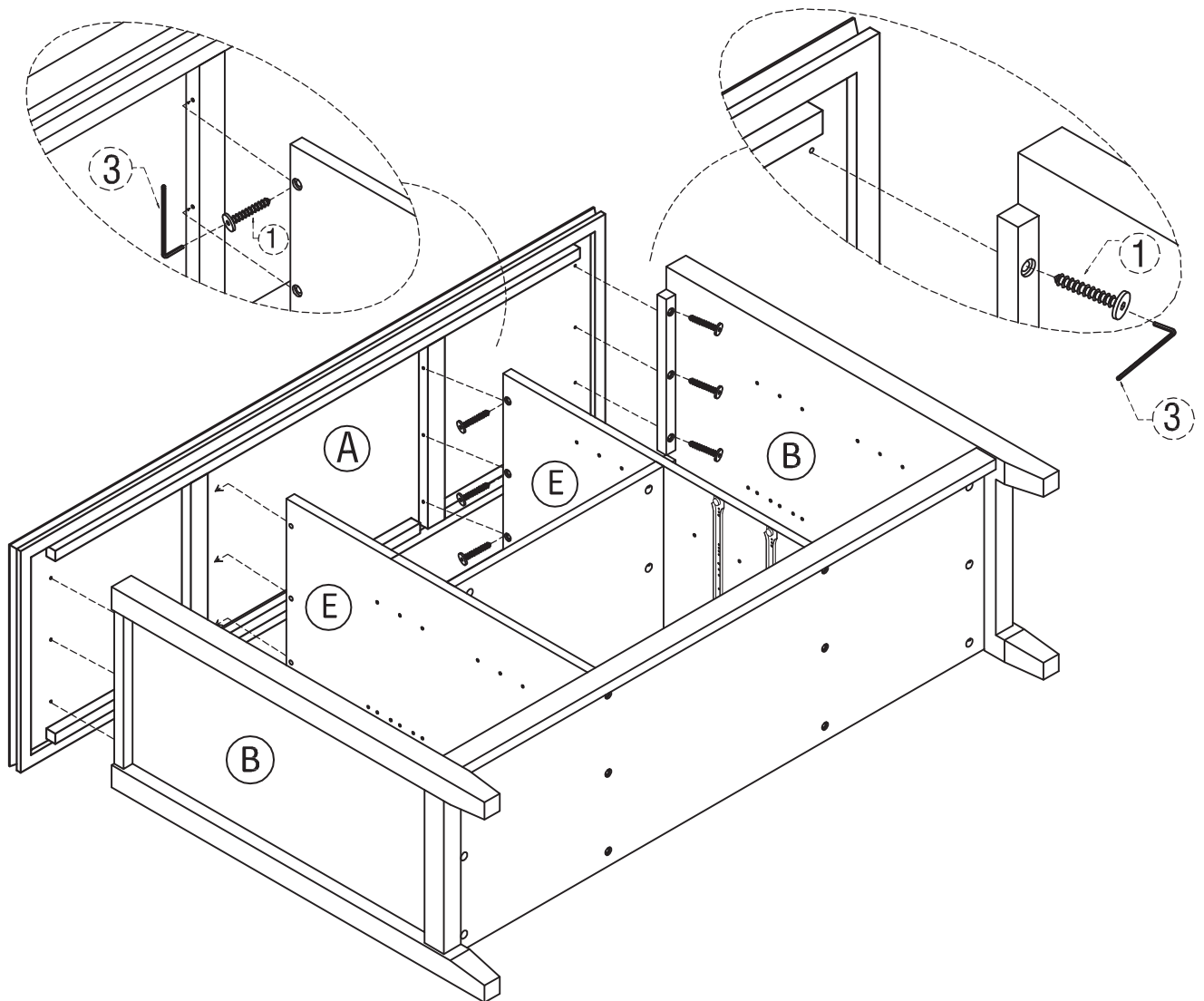
1. Attach Dividers (E) to Bottom Shelf (D) using 6 Allen Key Screws (1) through pre-drilled holes.

STEP 7



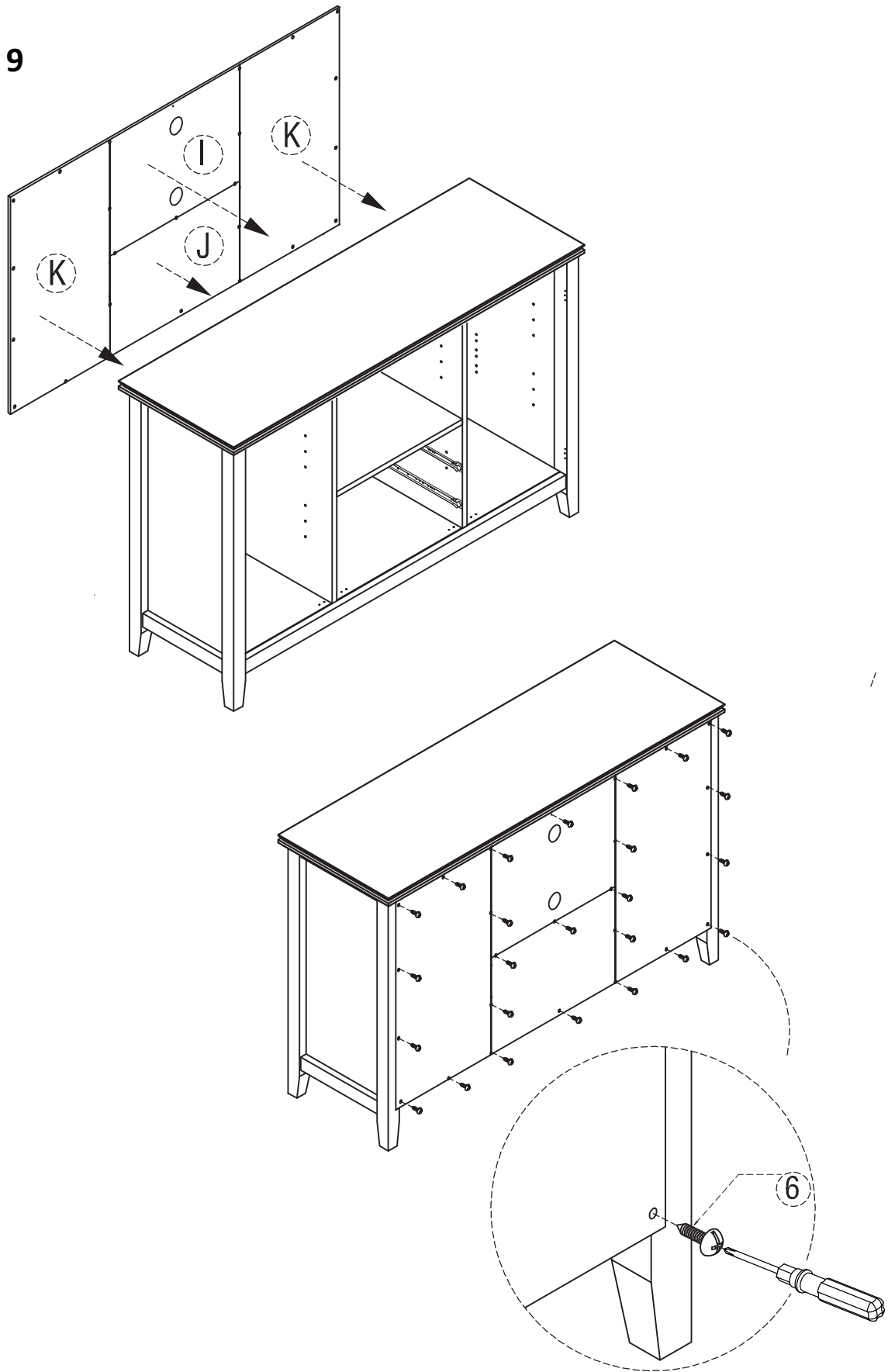
1. Attach 6 Cam Lock Pins (2) to 2 Sides (B) using guide holes.
2. Align Cam Lock Pins with pre-drilled holes on Bottom Shelf (D) and attach Bottom Shelf (D).
3. Insert 6 Cam Lock (2) into pre-drilled holes on Bottom Shelf (D).
4. Using a flathead screwdriver tighten Cam Locks into Pins.

STEP 8



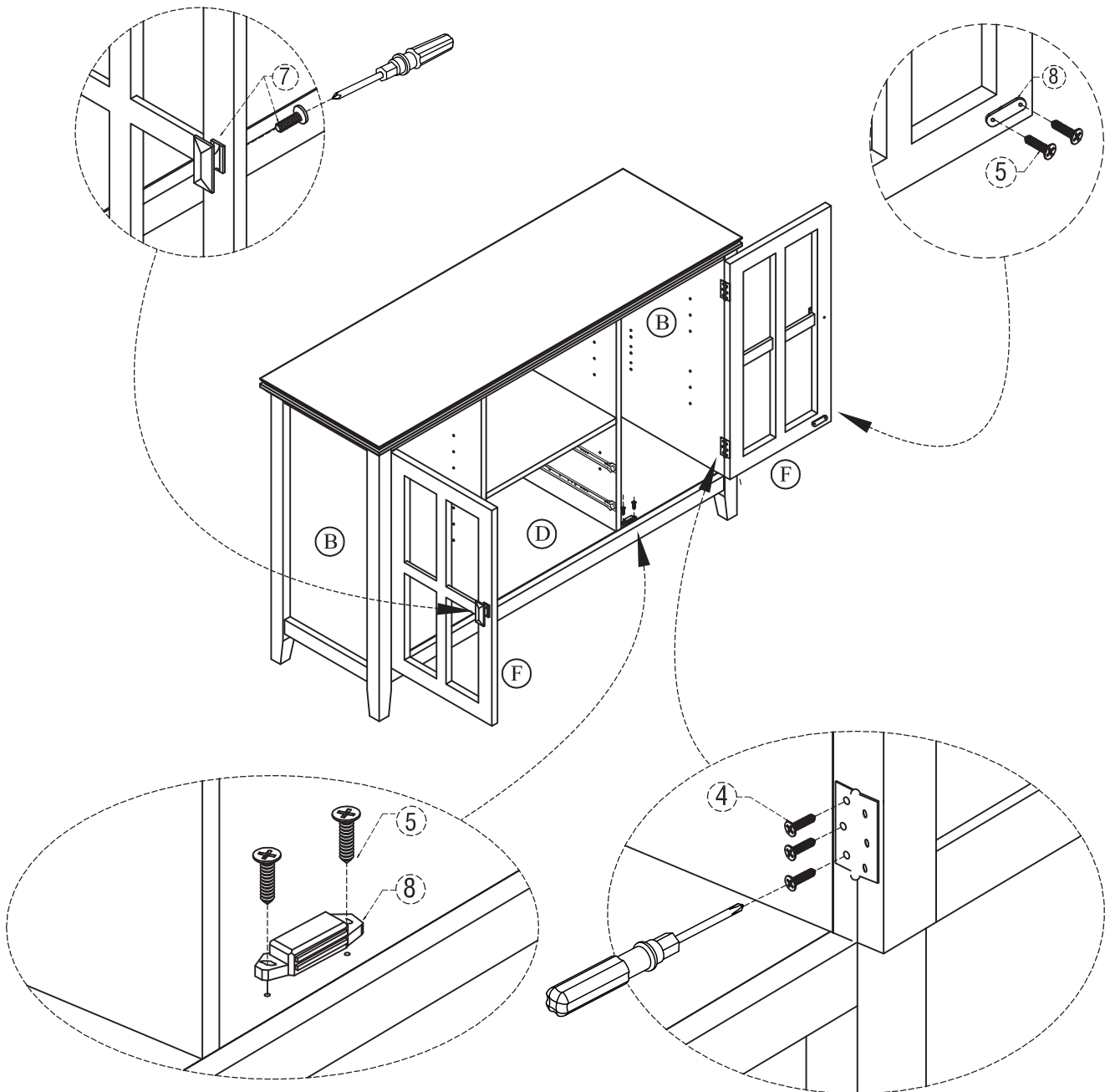
1. Attach Top (A) to 2 Sides (B) and 2 Dividers (E) using Allen Key Screws (1) through pre-drilled holes.
2. Use Allen Key (3) to tighten screws. Do not over-tighten.

STEP 9



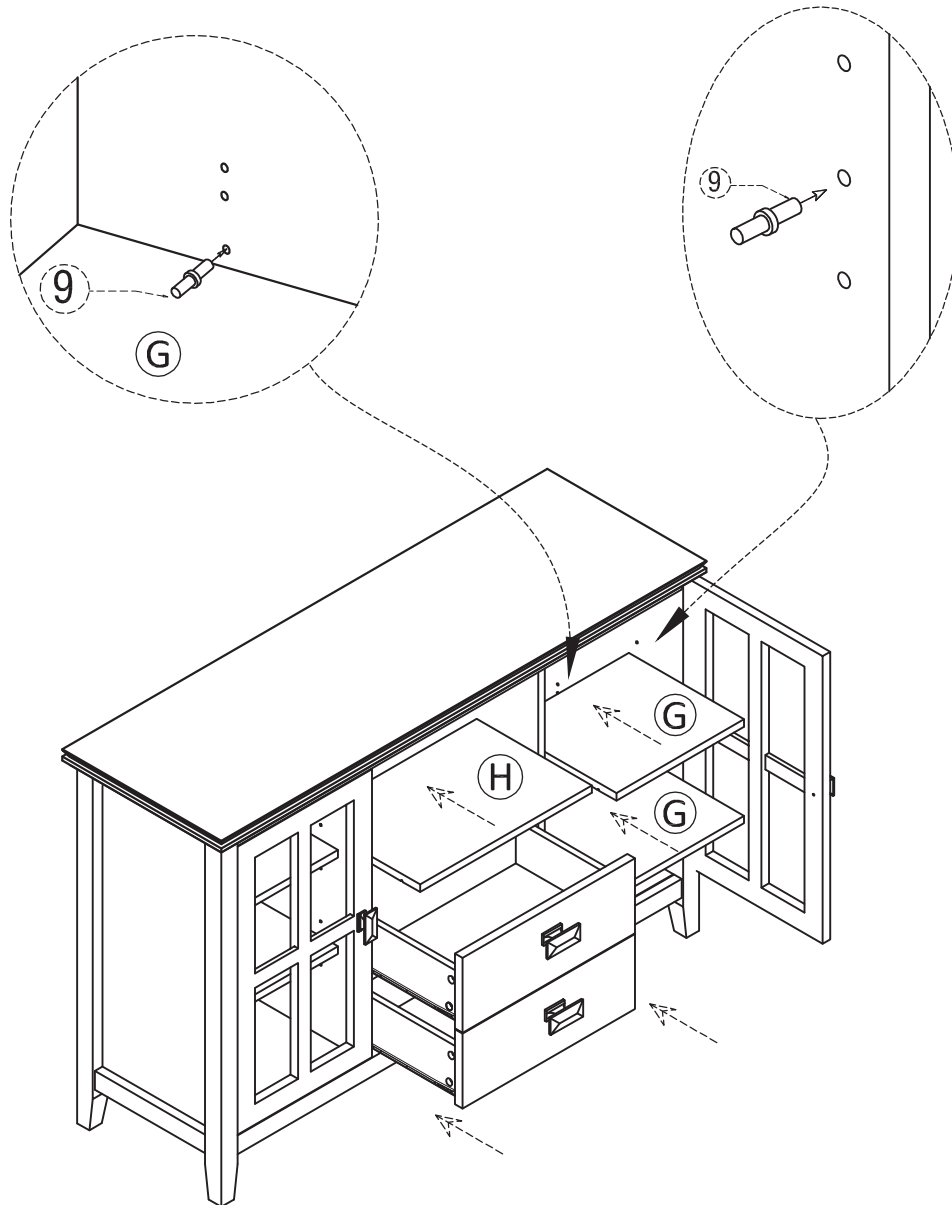
1. Using Phillips Round Head Screws (6) attach Back Panel (I), (J), (K) to back of TV Stand.

STEP 10



1. Attach Hinges on Doors (F) to Sides (B) using Phillips Screws (4) into guide holes.
2. Attach Magnet Plates (8) to bottom corner of Door (F) using Phillips Screws (5) into guide holes on Doors (F).
3. Attach Magnet (8) using Phillips Screws (5) into guide holes on Bottom Shelf (D).
4. Use a Phillips screwdriver to attach Handles (7) to Doors (F).

STEP 11

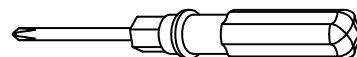


1. Use 4 Shelf Supports (9) for each Shelf (H) or (G) in desired location .
2. 2 Shelf Supports (9) may be used on back top of each Shelf (H) or (G) as a tipping restraint.

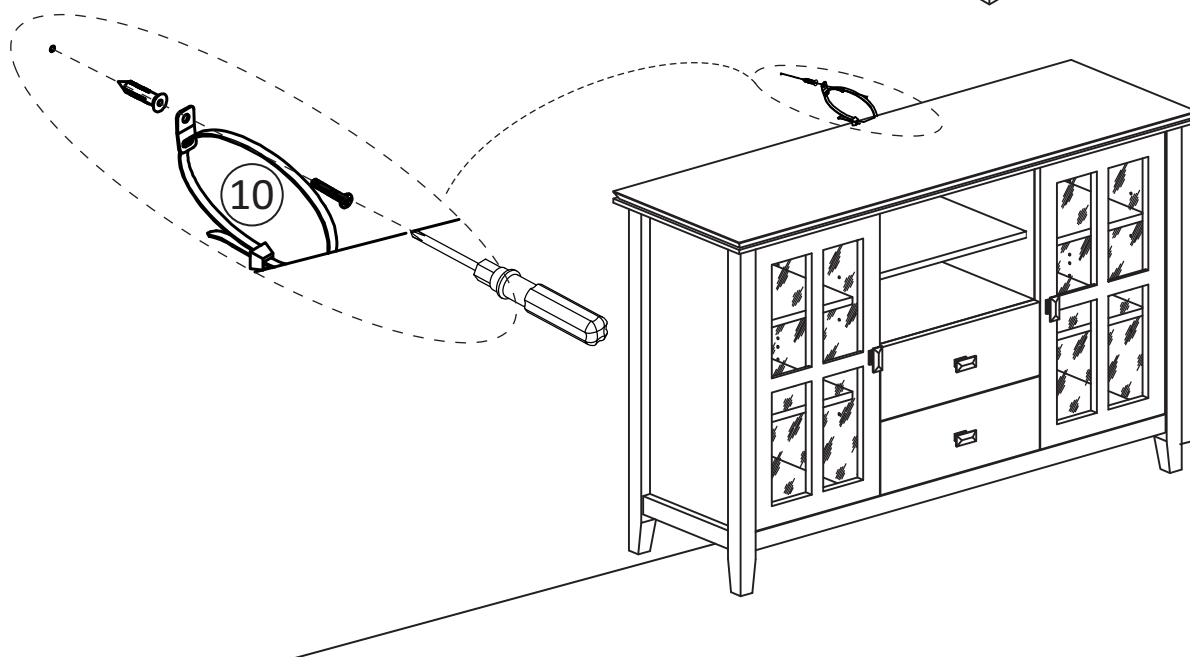
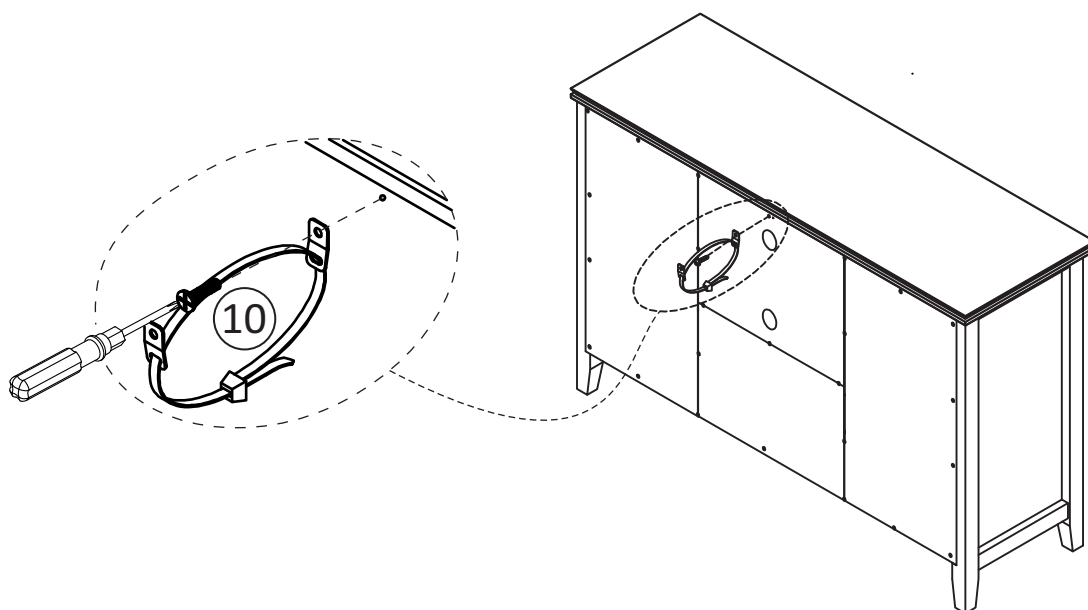
FURNITURE ANTI-TIPPING RESTRAINT ASSEMBLY

NOTE: Injuries and damage can occur from furniture tip-over. It is important to use the safety bracket included. If the tipping restraint kit is not in the box, please contact our customer service department in order to obtain another kit before using the furniture.

STEP 12



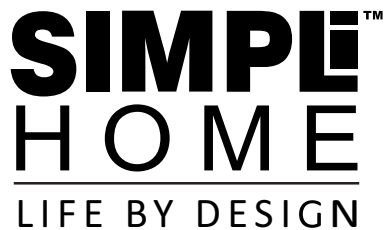
NOTE: The screwdriver is not included in the hardware pack.



FURNITURE ANTI-TIPPING RESTRAINT ASSEMBLY

Furniture Anti-Tipping Restraint Instructions:

1. Attach one of the mounting brackets securely to the back edge of the furniture. Use the shorter screw.
 2. Determine where furniture is to be placed and mark location on the wall for mounting bracket screw hole approximately 2 inches below the bracket mounted to the furniture.
 3. Drill a 3/16 inch hole in the wall. Press the plastic anchor into the hole and gently tap until the flange on the anchor is against the wall surface.
 4. Position the bracket over the anchor and use the longer screw to securely attach the bracket to the wall.
 5. Place the furniture so the back edge is in line with the bracket on the wall.
 6. Lace an end of the nylon restraint down through each bracket. Bring both ends together and slide the beaded end of the strap through the keyhole shaped slot in the other end until snug. Pull down on the beaded end until it snap locks into the keyhole slot.
 7. To double lock, return the beaded end back through the keyhole as shown.
 8. Check to make sure the strap is securely laced and locked to the brackets.
- **DO NOT** place heavy objects in top drawers
 - **DO NOT** let children climb or hang on drawers, doors or shelves



WARRANTY

Thank you for purchasing a **Simpli Home – Wyndenhall – Brooklyn + Max** product. These products have been made to demanding, high-quality standards and are guaranteed for domestic use against manufacturing faults for a period of 12 months from the date of purchase. This warranty does not affect your statutory rights.

In case of any malfunction of your product (failure, missing parts, etc.) please contact us at our toll free service line at 1-866-518-0120 ext. 262 from 9 am to 4 pm, Monday to Friday, Eastern Standard Time or by email at simpli-home.com/customer-support.

We reserve the right to repair or replace the defective product, at its discretion.

This product is guaranteed for 12 months if used for normal purposes. Any warranty is invalid if the product has been overloaded or subject to neglect, improper use or an attempted repair by other than an authorized agent. Heavy-duty or daily professional/commercial usage are not guaranteed.

Due to continuous product improvement, we reserve the right to change the product specifications without prior notice.



Question, problems, missing parts?

Before returning your product
please email Customer Support at
simpli-home.com/customer-support

or call

Customer Support at 1-866-518-0120 ext. 262
Monday to Friday between 9 am – 4 pm EST

For more information visit us on our website
www.simpli-home.com

Like us on facebook
www.facebook.com/simplihomefurnishings