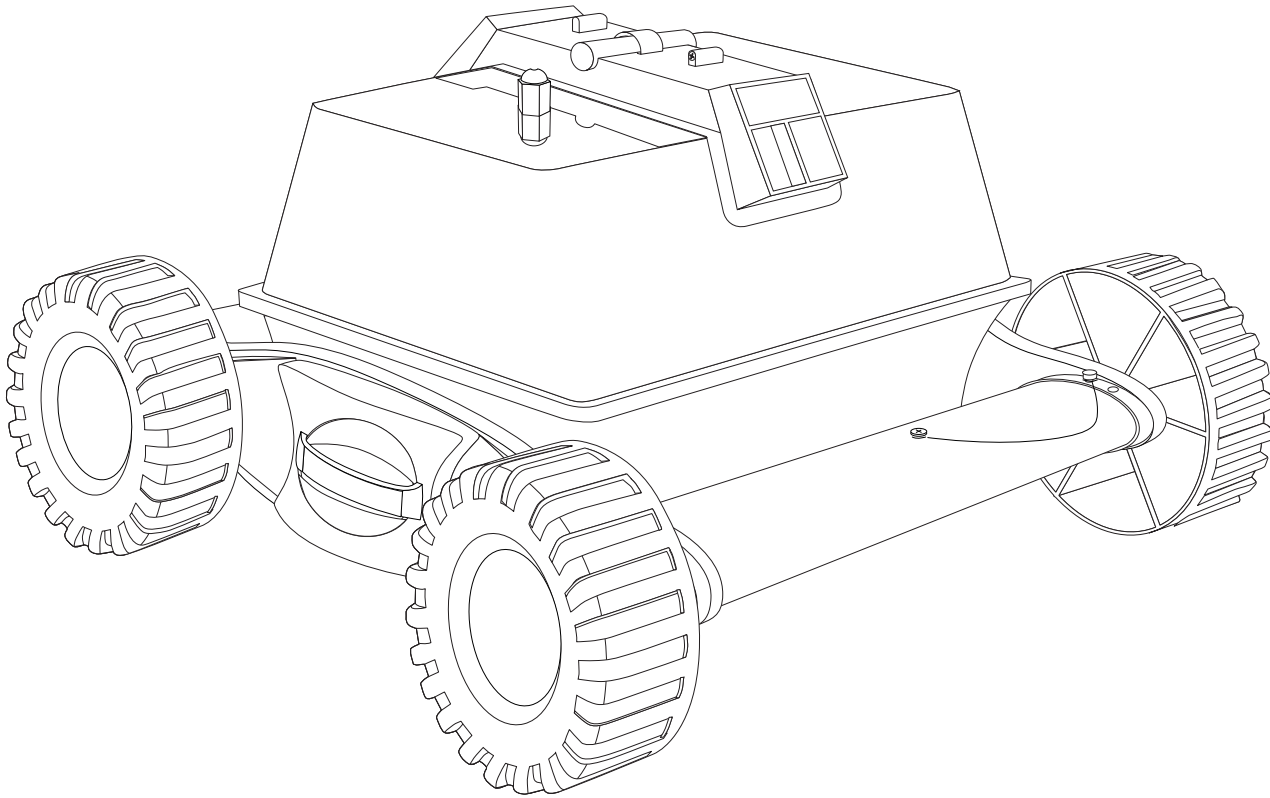


OPERATING INSTRUCTIONS FOR

AQUA PRODUCTS

THE WORLD'S LEADER IN ROBOTIC POOL CLEANING SOLUTIONS

ABOVEGROUND RESIDENTIAL ROBOTIC SWIMMING POOL CLEANERS



OWNER'S MANUAL AND TROUBLESHOOTING GUIDE

Although the appearance (colors, shapes and features) of your cleaner may vary from the pictures shown in this manual, the operating and troubleshooting procedures shown herein are the same.

For Technical Support Please Call
1-800-845-4856 or You Can Visit Us on the Web
at www.AquaProducts.com/Service

Dear Customer,

Congratulations! You have purchased one of the best pool cleaners that technology has to offer! Your cleaner is a fully automatic, robotic pool cleaner equipped with the patented, powerful Jet Drive propulsion system. Please read the following carefully so that you are fully aware of all the capabilities and features this pool cleaner has to offer!

The "Jet", located on the top of the cleaning unit, has a patented valve mechanism that consists of just two moving parts the valve flap and the valve lock. This Jet Valve allows the cleaner to move forwards and backwards without the traditional wear and tear parts found in other cleaners. Although simple in appearance, these parts are precision made and will provide many years of smooth and reliable operation. To insure the longevity of your cleaner's valve mechanism, never stick anything forcefully into the jet valve housing.

A powerful internal Pump Motor vacuums dirt and debris into an internal reusable Filter Bag. The Filter Bag traps dirt and debris, including minute particles as small as 2 microns in size (20 times smaller than what the naked eye can see) allowing only microfiltered water back into the pool. The microfiltered water is thrust outward of either Jet Port (located at each end of the Jet Valve Housing) propelling the cleaner forward similar to the way a jetski operates.

Your cleaner has four (4) Wheels and two (2) wheel Axles like a car. Yet one Axle is able to slide forwards and reverse in its allotted Axle Slot. The other Axle is fixed parallel to the cleaner's body. The Turning Wheel Axle has a Locking Pin affixed to its Axle Housing. When the Locking Pin is placed in either of its allotted Locking Pin Holes and the cleaner moves away from the Turning Wheel Axle, the Turning Wheel Axle will slide until the Locking Pin locks one side of the axle close to the cleaner's body while the other side of the Axle freely slides further away from the cleaner's body. This angled Axle position will turn the cleaner in an arc motion when traveling in this direction. When the cleaner reverses, the Turning Wheel Axle will slide closer to the cleaner's body and will remain parallel as will the Fixed Axle. In this direction the cleaner will move in a straight line (See cleaning pattern 1 diagram).

This straight line reverse arcing movement provides the most systematic cleaning pattern of any cleaner today, eliminating wasted time and cleaner wear and tear, while providing you with the cleanest and healthiest swimming water in about one hour. Reverse the Locking Pin position from one Locking Pin Hole to the Locking Pin Hole on the opposing side of the Turning Wheel Axle with each use. This will protect the Floating Cable from twisting in this circular systematic cleaning pattern.

To become fully aware of all the capabilities and features that your pool cleaner has to offer, please review the entire operator manual.

The logo for Aqua Products features the word "AQUA" in a stylized font with three wavy lines to its left, followed by "PRODUCTS" in a bold, sans-serif font. Below this, the tagline "THE WORLD'S LEADER IN ROBOTIC POOL CLEANING SOLUTIONS" is written in a smaller, bold, sans-serif font.**AQUA PRODUCTS**
THE WORLD'S LEADER IN ROBOTIC POOL CLEANING SOLUTIONS

OPERATING FEATURES

This manual has been created to represent the set-up and troubleshooting practices required for a variety of Aqua Products cleaners. Although the shape, color and some components featured herein may not be identical to those of your cleaner, their operating and service procedures are. As there are a variety of features and components for the various models produced, some pages may contain information showing each of these. Please find the features and components found on your cleaner as the information provided may vary for each.

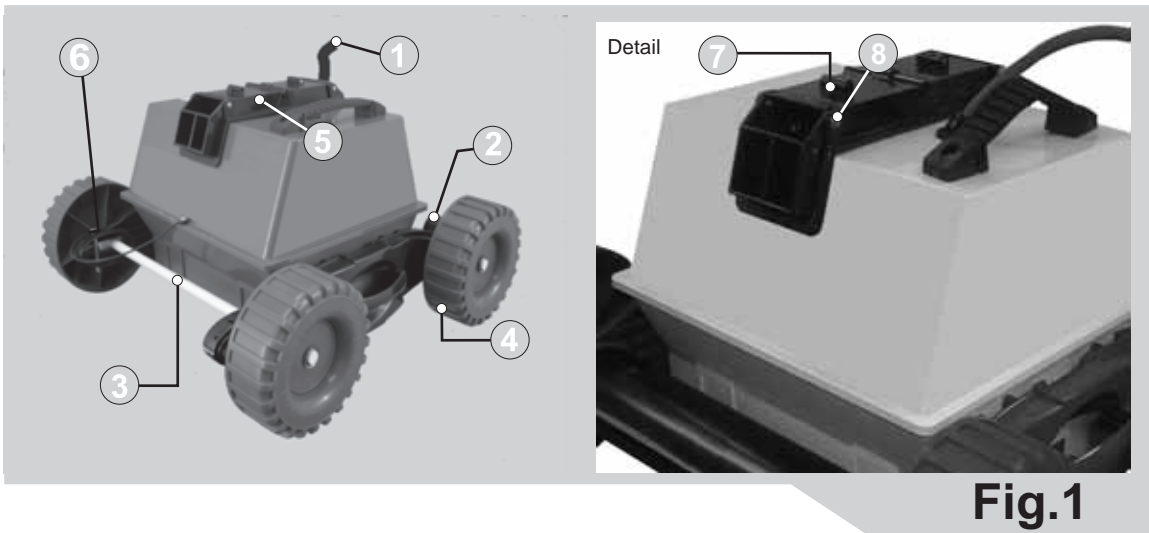
FIG. 1 Pool Cleaner with Floating Cable

- 1.1 Floating Cable
- 1.2 Fixed Axle
- 1.3 Turning Wheel Axle
- 1.4 Wheels
- 1.5 Jet Valve Assembly
- 1.6 Locking Pin
- 1.7 Valve Extension
- 1.8 Screw for Valve Extension

*Some models have Power Supply automatic timers that are built-in

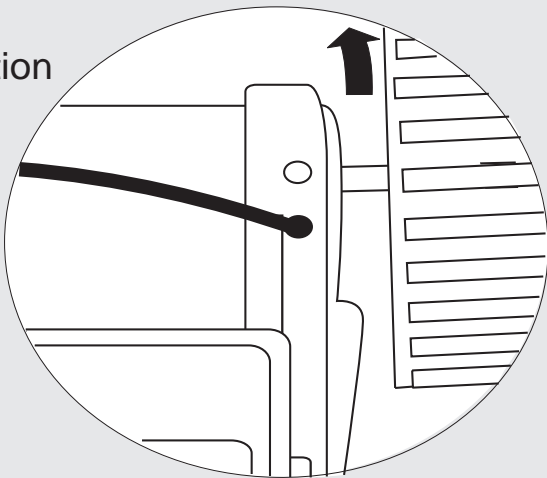
FIG. 2 Power Supply (Transformer) with Two-Hour Automatic Shut-Off

- 2.1 Fuse Holder
- 2.2 On/Off Power Switch
- 2.3 Timer Control Dial*
- 2.4 Socket (for Floating Cable)
- 2.5 Reset Button
- 2.6 Power Supply Cord

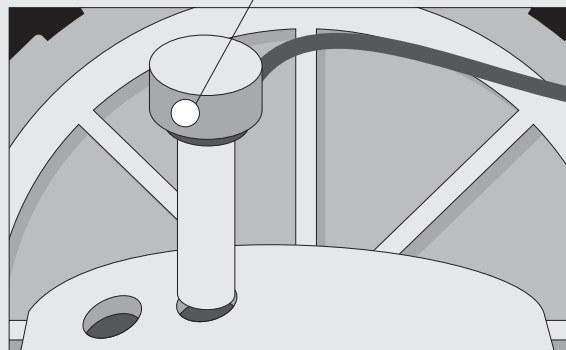


WARNING! Remove your cleaner and its cable from the pool before people are allowed to swim!
WARNING! Your Power Supply should remain at least 10' away from the pool!

Lock Pin in preset position (Top View)



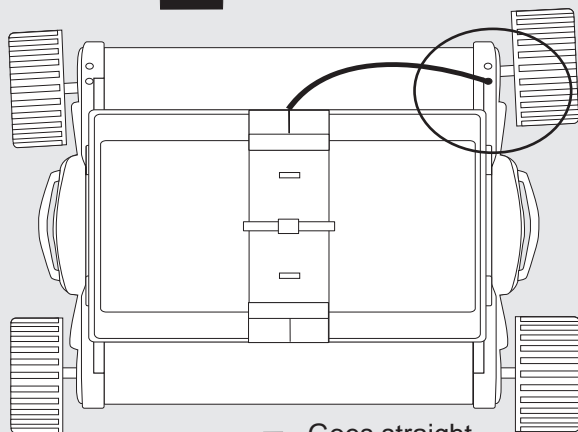
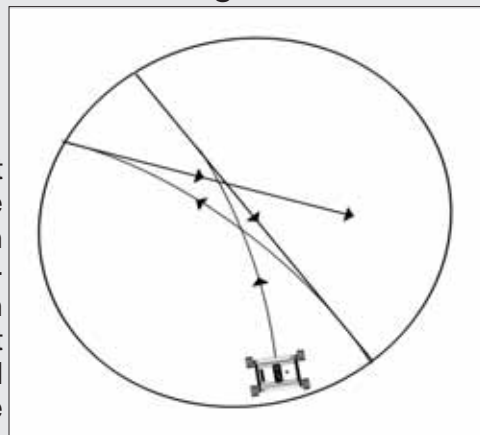
Lock Pin



Curves counter clockwise in this direction



Cleaning Pattern 1



Turnign Wheel Axle

Fixed Axle

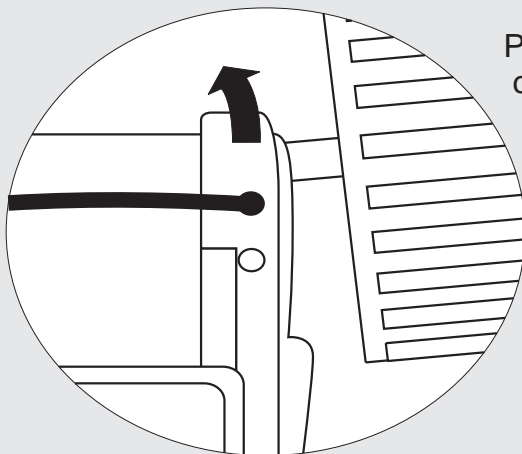
Goes straight in this direction



In Preset position, the unit will clean in this counter-clockwise pattern of moving straight in one direction and arcing slightly in the reverse direction

For Oval or Narrow Rectangular Pools

Lock Pin in Forward position
Note: Using a small nail (or a small screwdriver) punch front hole open (both sides).

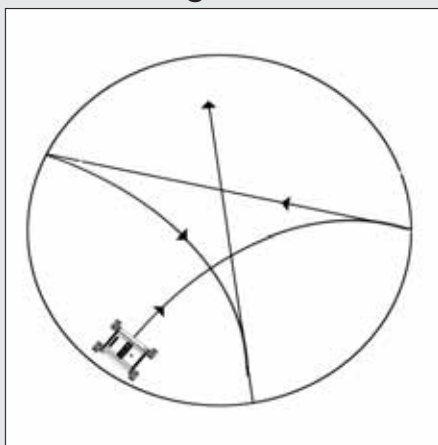


Please Note: After your unit completes its cleaning cycle, remove it from the pool and transfer the Lock Pin to the opposite side of the Turning Wheel Axle. Once this is complete, the next time you use your unit, it will clean in the opposite direction of the prior use.

Curves on a greater angle in this direction



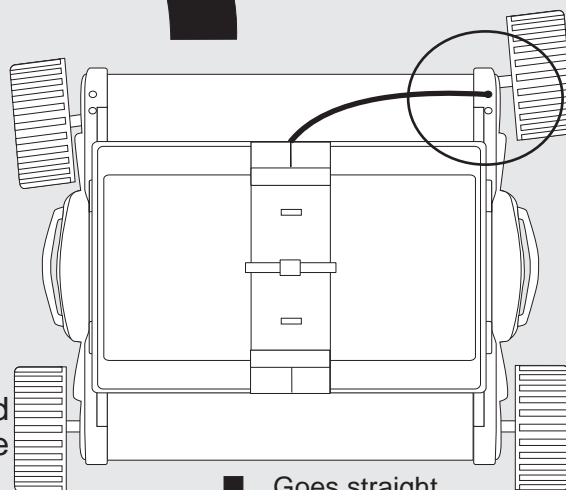
Cleaning Pattern 2



Turning Wheel Axle

Fixed Axle

In Forward position, the unit will clean in this pattern of moving straight in one direction and arcing slightly in the reverse direction.



Goes straight in this direction



OPERATING INSTRUCTIONS

For Technical Support Please Call
1-800-845-4856 Or You Can Visit Us On The Web
At www.AquaProducts.com/Service

IMPORTANT

Caution: Do not switch the pool cleaner "on" if it is not fully submerged in water.

This pool cleaners system has an internal timer, which will automatically shut off the cleaner after 2 hours of operation in your pool. However, the switch will remain in the "on" position. To re-start the pool cleaner for another cycle, switch the power supply to the "off" position, and then switch it back to the "on" position and press the reset switch.

STEP 1

1. Place the Power Supply in a dry, sheltered area at least 10 feet away from the pool. Since the Power Supply is water resistant, not water proof, it should not be left out in the rain or placed in puddles of water. **Fig. 1.1**

2. Plug the Power Supply cord into a 115V, three prong grounded GFCI outlet. If an outlet is not close enough, a grounded 115V extension cord may be used to connect to the nearest outlet.

WARNING: A ground fault current interrupter (GFCI-USA) must be installed to protect your electric outlet and prevent any possible electric shock.

STEP 2

1. Plug the cleaner's Floating Cable into the Power Supply **Fig. 2.1**. Be sure that the Power Supply ON/OFF switch is in the "OFF" position. Push one wheel forward and insert Pin (the Pin should fit in between the wheel and the main body of the unit).

NOTE: The Pin comes locked in a position to handle most pool types.

3. Place the cleaner in the pool, gently turning upside down to allow any trapped air to escape. If Locking Pin was inserted in the Turning Wheel Axle be sure it is still in place then allow the cleaner to sink to the bottom of the pool with the wheels down. **Fig. 3**

NOTE: The pool cleaner must be completely submerged in the pool water before it is turned on. If the cleaner does not sink it is because air is still trapped inside.

4. Uncoil the Floating Cable that extends from the cleaners' body and spread it over the pool water surface as evenly as possible. If your pool is elongated (i.e rectangular or oval), place Floating Cable at the middle of the pool's length. Make sure that the Floating Cable is not tangled or kinked. **Fig. 4**

STEP 3

ADJUSTING THE TIMING CYCLE

The Time Control Dial located on the front panel of the Power Supply can be adjusted to allow more or less time between the cleaner's forward and reverse motion. **Fig. 2.2**

Set your cleaner's Time Control Dial to 30 seconds.

Your unit should move across your pool at its widest point, from one side to the other. The cleaner should wait at both sides for at least two seconds before reversing. If this doesn't happen adjust the Time Control Dial accordingly.

NOTE: Turning the Time Control Dial clockwise will lengthen the time between reversals to a maximum time of 90 seconds. Conversely, turning the dial counter-clockwise will reduce the time between reversals. Once the Time Control is set to your satisfaction, it does not need to be changed unless you use a different type of Filter Bag. The Optional Mesh Bag may cause the cleaner to cross your pool in less time and the time control should be re-adjusted.

STEP 4 Once the cleaner is fully submerged in the pool water, switch the power supply to the "on" position. Then press the RESET safety button to allow it to power on.

NOTE: The safety RESET button has been provided to help protect against out of water start-up (i.e due to pwer surge). bottom LED light should turn on and cleaner should start to move. **Fig.2.3**

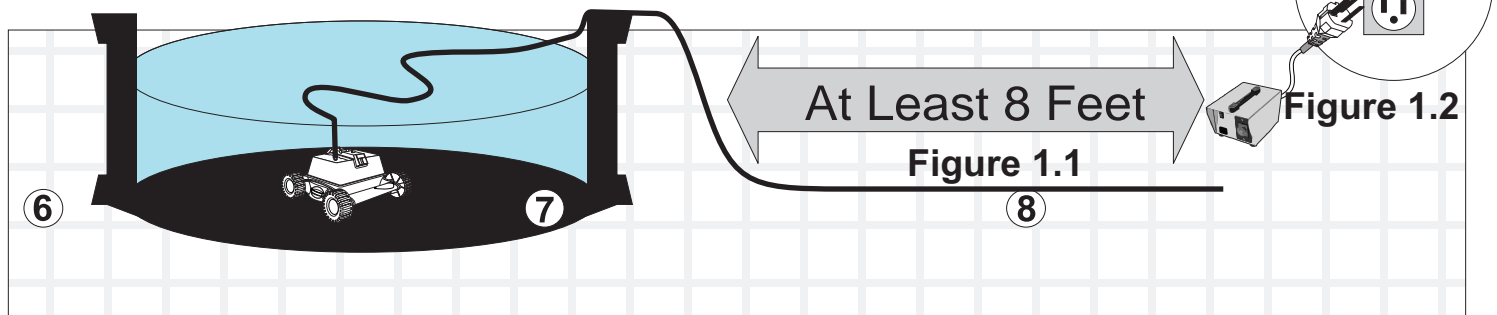
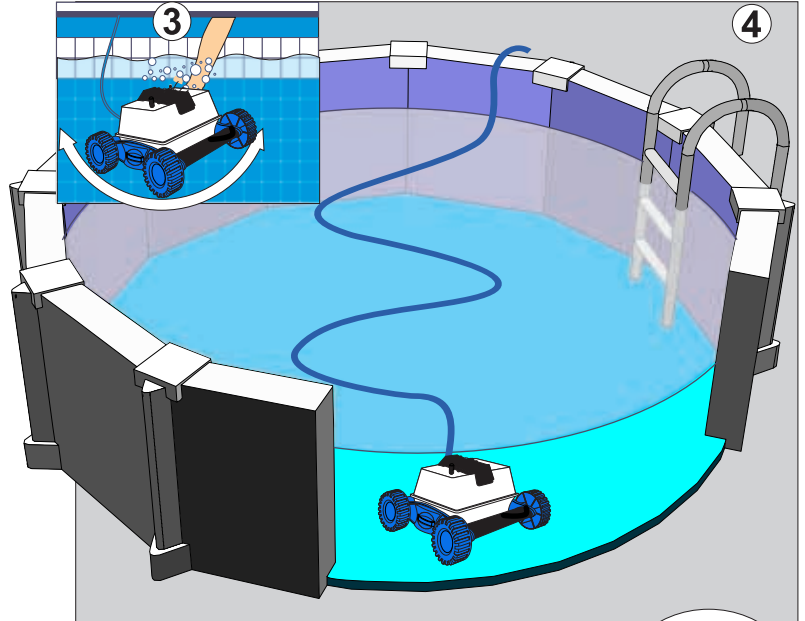


Figure 2.1



Figure 2.2

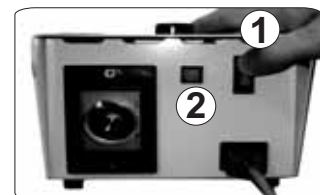


Figure 2.3

Cleaning

The size of your pool, and the amount of debris in it, will determine the length of time required to clean the pool. The time may vary from one to two hours.

When your cleaner slows down considerably or constantly reverses direction before reaching the sides of the pool, it is sending a signal that it is time to clean the Filter Bag.

Removing Your Cleaner From The Pool

After two hours, the cleaner has completed cleaning the pool and will automatically turn itself off.

Turn off the Power Supply by pressing the ON/OFF switch to the OFF position. Unplug the cleaner's Floating Cable from the Power Supply, and gently pull the cleaner toward you using the Floating Cable. When the cleaner is within reach, remove it from the water using the side-plate handle only, never remove or carry the cleaner by its Cable! Removing the cleaner by its Floating Cable may cause severe damage to the cable requiring costly repairs.

Important: Always reverse the locking pin position to the allotted hole on the opposing side of the turning wheel axle after each use to protect the Floating Cable from twisting.

In-Season Storage

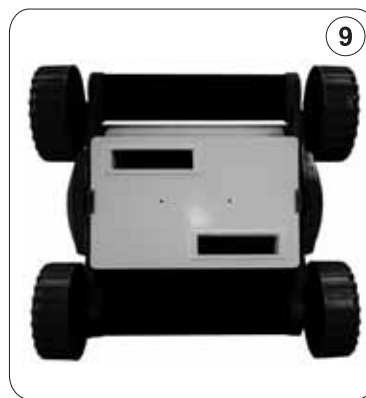
Tilt the cleaner on its side to allow water to drain from its body. Do not leave your cleaner in the pool when not in use. Doing so, will reduce the life of your Filter Bag and pool cleaner. After removing your cleaner from the pool you should clean and re-install the Filter Bag. Then rest the cleaner in a dry, shaded area along with its Power Supply and correctly coiled Floating Cable.

Helpful Tip For Preserving Your Cleaner

We suggest that you rinse your cleaner inside and out after removing it from your pool to remove the chlorine and preserve its appearance.

Off-Season Storage

When the Pool Season is over you should thoroughly clean the Filter Bag, make sure that there is no water in the cleaner, completely untangle, and then properly coil the Floating Cable. Your cleaner and Power Supply should be stored in a dry, sheltered area that does not fall below 32° F/0° C.



Bottom Lid Assembly

Filter Bag

Fine Filter Bag Part #8100
Mesh Filter Bag Part #8200*
*Sold Separately

CLEANING OR CHANGING THE FILTER BAG

When removing the cleaner from the water, make sure that the Power Supply is turned off and that the cleaner's Floating Cable is unplugged.

- Place the cleaner on its back on a soft non-abrasive surface to protect your cleaner from scratches. Using your thumbs, push the two Lock Tabs away from the center of the cleaner to unlock the Bottom Lid Assembly (FIG. 10). Remove the Bottom Lid Assembly (FIG. 11)
- Remove the Filter Bag from the bag support Wire Frames (FIG. 12).
- Turn the Filter Bag inside out (the Fine Filter Bag has a soft felt surface on the inside) and wash off visible dirt using a garden hose or a faucet. Gently agitate the bag in your hands to help remove fine particles. Continue cleaning and squeezing the Bag gently until rinse water is clear. Use of a washing machine (cold water only) is recommended when visible dirt will not rinse off by other methods. DO NOT USE DETERGENT or BLEACH! DO NOT MACHINE DRY!
- Turn the Filter Bag "right side out" (felt surface on the inside) remount the Bag on the Wire Frames making sure that the Label on the Bag is centered on one of the long sides of the Bottom Lid Assembly (FIG. 14). Pull the Bag toward the middle of each Wire Frame so that the bag corners are snug against the corners of the Wire Frame. Tuck the excess bag into the lower points of the Wire Frames (FIG. 14).
- Re-install the Bottom Lid Assembly. Make sure that neither debris nor the Filter Bag itself interferes with complete closure of the Bottom Lid Assembly.

TROUBLESHOOTING

For Technical Support Please Call
1-800-845-4856 Or You Can Visit Us On The Web
At www.AquaProducts.com/Service

Does not vacuum as well as it should

- Check to see if the Filter Bag is thoroughly clean.

NOTE: Use the Fine Filter Bag to trap smaller debris such as algae, bacteria and silt. Use the Mesh Filter Bag (sold separately) to trap larger debris such as leaves, acorns, twigs and pine needles. It may be necessary to rinse the Filter Bag in a bucket of clean water. Rinse, then squeeze dry and repeat until the rinse water becomes clear.

- Check to see if the Intake Valve Flaps on the Bottom Lid Assembly of the cleaner is free to open and close. These Flaps should move easily to allow the entry of water and debris.
- If you are not satisfied yet, remove the Bag, and reinstall the Bottom Lid, and run it in the pool without the bag. If it moves quickly, your Bag is not clean enough, and you must repeat the cleaning instructions until the Bag is clean.

Does not cover the entire pool

- Check to see if the Wheel movement is free of obstructions like hair, string or accumulated debris.
- Check to see if the Filter Bag is clean and not clogged with debris.
- Adjust the timing cycle so that the cleaner reaches the other side of the Pool and stays at the opposing pool wall for at least 2 seconds before reversing direction.
- Check to see if the Floating Cable is tangled, or hooked on, anything not allowing free movement of the cleaner.

Does not reverse direction

- Take a garden hose with the pressure set on "high", spray it into the Jet Valve Housing at each opening. This should free the Jet Valve System of any debris. If this does not solve the problem, there is most likely debris wrapped around the impeller beneath the Jet Valve.

Cleaning The Impeller

- Remove Valve Extension (2 horizontal screws)
- Bend a common "giant" paper clip into a hook as shown in (fig. 16) Push the center flap back, look at the Impeller. You may find debris like hair, string or a small twig caught in the Impeller. Use your paper clip to hook or free the debris, and remove it as shown in (Fig. 18)

Reverses before reaching the opposite end of the pool

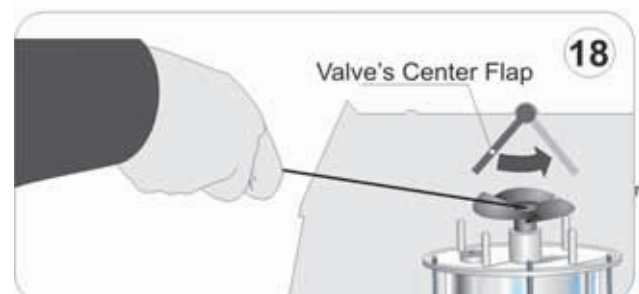
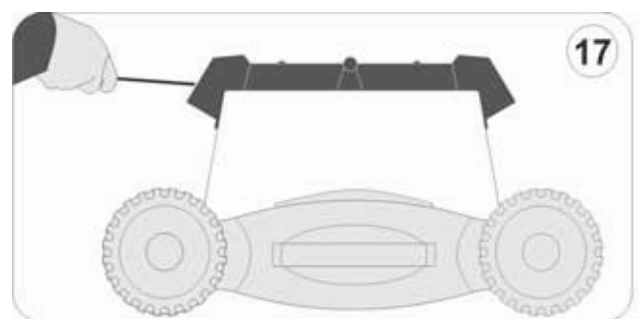
- Turn the Time Control Dial (located on the Power Supply) clockwise a few degrees to increase the time between reversals. Repeat if necessary.
- Check to see if the Filter Bag is thoroughly clean and installed properly.

Waits too long at the side of the pool before reversing

- Turn the Time Control Dial on the Power Supply counter-clockwise a few degrees. Repeat if necessary.

Floating cable is twisting

- Your new automatic pool cleaner was designed to clean most pools without any issues, however some shapes of pools may cause the cable to coil, tangle or twist in the opposite direction. This cleaner operates in a systematic cleaning pattern that is circular in nature, and will not cause any twisting if you change the Lock Pin location, as instructed. Remember to change the Lock Pin location periodically to cause the cleaner to work in the opposite circular direction and avoid the cable being twisted.



Warranty Statement

A Message From Aqua Products

Please read the following warranty statement carefully before taking any actions pertaining to repairs, servicing and especially returns. Aqua Products will not accept any cleaners from any sender without proper authorization codes and procedures being placed into effect. If you proceed without fully reading this statement, you may be placing your warranty in danger of becoming voided.

Thank You,
Aqua Products, Inc.

Servicing

On a Yearly/Seasonal basis we recommend that you have your cleaner inspected by Aqua Products Inc. or an Authorized Service Center. This will help ensure that your cleaner will continue to provide you with years of trouble free operation. Contact our Service Department; Toll-free at: 1-800-845-4856, or via e-mail to: CustomerService@AquaProducts.com.

In order to service properly, a Return Authorization Number must be assigned to your cleaner. To receive this number please call 1-800-845-4856. NO CLEANER can be serviced without a prior authorization number from Aqua Products Inc.

Warranty

This automatic pool cleaner has been manufactured, tested and inspected in accordance with carefully specified engineering requirements. Aqua Products Inc., warrants that your automatic pool cleaner is free from defects in workmanship and materials under normal use and service, subject to qualifications, conditions and limitations as described below.

Duration of Limited Warranty: One (1) year from original date of purchase. Subject to the warranty conditions below, during the first twelve (12) months from the original date of purchase, Aqua Products Inc., shall make any necessary repairs, including parts and labor without charge, except for transportation costs which shall be paid by purchaser. Wear and tear items, such as Wheels, Axles and Filter Bags shall not be covered.

TO WHOM EXTENDED: This warranty extends to the first consumer purchaser only for the specified period from the date of the original purchase.

PARTS NOT COVERED BY WARRANTY: The Filter Bags, Wheels and Axles require replacement in the ordinary course of use due to normal wear. Therefore, these parts are not covered by this warranty

PREVENTATIVE MAINTENANCE: Your cleaner requires a minimum amount of preventative maintenance as outlined in your operator's manual. Failure to observe this will void the warranty.

IMPROPER USE: This warranty covers only normal use for private residential pools only and is not intended for commercial use. Damage, defects malfunctions or other failures arising from its use without the original Power Supply, or any use which does not comply with the instructions in the

operator's manual are excluded.

UNAUTHORIZED REPAIR: Damage, defects, malfunctions or other failure caused by repair, which is done by anyone other than an authorized service representative of Aqua Products Inc., shall not be covered.

LEGAL LIMITATIONS: No agent, representative, dealer or employee of Aqua Products Inc. has the authority to increase or alter the obligations of this warranty.

TO VALIDATE THIS WARRANTY: The enclosed warranty registration card must be mailed within ten (10) days of purchase accompanied with a copy of the original proof of purchase or sales slip. No warranty service will be performed unless Aqua Products, Inc. has received the warranty registration card.

NOTE: This limited warranty is in lieu of all other express warranties, obligations or liabilities.

ANY IMPLIED WARRANTIES, OBLIGATIONS OR UTILITIES, INCLUDING BUT NOT LIMITED TO ANY IMPLIED WARRANTY OF MERCHANTABILITY, SHALL BE UNLIMITED IN DURATION TO THE PERIOD OF TIME OF THIS WRITTEN UNLIMITED WARRANTY. ANY ACTION FOR BREACH OF ANY WARRANTY HEREUNDER, INCLUDING BUT NOT LIMITED TO ANY IMPLIED WARRANTY OF MERCHANTABILITY, MUST BE BROUGHT WITHIN A PERIOD OF TWELVE (12) MONTHS FROM DATE OF ORIGINAL PURCHASE.

IN NO CASE SHALL AQUA PRODUCTS, INC. BE LIABLE FOR ANY CONSEQUENTIAL DAMAGES FOR BREACH OF THIS OR ANY OTHER WARRANTY, EXPRESSED OR IMPLIED, WHATSOEVER.

Some states do not allow the exclusion or limitations of incidental or consequential damages, so the above exclusion may not apply to you.

This limited warranty is valid and enforceable only in the United States of America on units owned and normally operated in the United States of America.

This warranty gives you specific legal rights and you may also have other rights, which vary from state to state.

Warranty Service

To obtain warranty service, contact an authorized Aqua Products Inc. dealer or call the Aqua Products Inc. Service Department at 1-800-845-4856 to arrange warranty repair work.

Aqua Products Inc. 25 Rutgers Ave. Cedar Grove, NJ 07009
Email: CustomerService@AquaProducts.com

RISK OF ELECTRIC SHOCK-DO NOT OPEN

CAUTION: TO REDUCE THE RISK OF ELECTRIC SHOCK, DO NOT REMOVE ELECTRICAL COMPONENTS, MOTOR or POWER SUPPLY SCREWS. NO USER-SERVICEABLE PARTS INSIDE. REFER SERVICING TO AUTHORIZED SERVICE PERSONNEL ONLY.

WARNING Improper connection of the polarized 3-prong grounding type outlet can result in a risk of electric shock. Check with a qualified electrician or service person if you are in doubt as to whether the outlet is properly grounded. Do not modify the plug provided with the cleaner if it will not fit the outlet. Have a proper outlet installed by a qualified electrician. To protect your home's electrical system, a Ground Fault Current Interrupter (GFCI) should be installed.