

YOUR AUTHORIZED CONTINENTAL DEALER



FULL VIEW CA SERIES

CA42

DIRECT VENT GAS FIREPLACE

CONTINENTAL

P: 1-866-820-8686
continentalcomfort.com



Consult your owner's manual for complete installation instructions, accurate framing dimensions and proper clearances to combustible material. Check all local and national building codes. All specifications are subject to change without prior notice due to on-going product improvements. Products may not be exactly as shown

Build **Quality**, Build **Confidence**.
continentalcomfort.com



CONTINENTAL

CA42

Full View Fireplace

A clean face design that offers an optimum view of the fire.

True Design Flexibility

True design flexibility is made possible with an optional industry-leading heat management system that allows you to install your television above.

Realistic Appearance

Split Oak Log Set is included for a true fire experience.

FEATURES

- Full view safety barrier included
- Optional zen front and finishing trim available in black
- Five optional decorative brick panel kits available
- Heat is efficiently and silently circulated around the room instead of blowing directly from the front of the fireplace with Universal Heat Management
- Optional heat circulating blower
- Optional remote control
- Optional AMBIENT-GLOW metal fibers are designed to enhance the glowing embers on gas fires
- Additional size available - 36"

BARRIER OPTIONS



Zen Front in Black



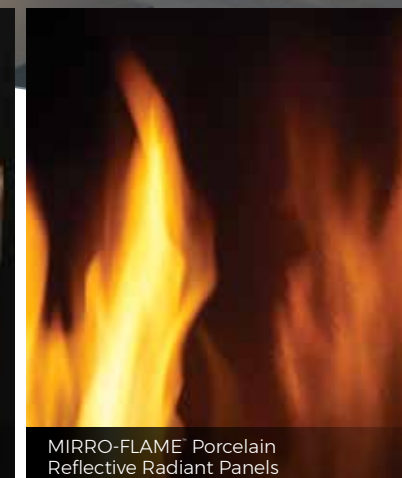
Finishing Trim in Black



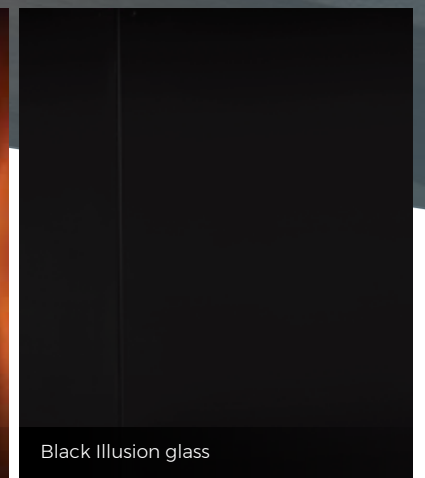
MEDIA OPTIONS



Oak Log Set



MIRRO-FLAME[™] Porcelain Reflective Radiant Panels



Black Illusion glass

SPECIFICATIONS

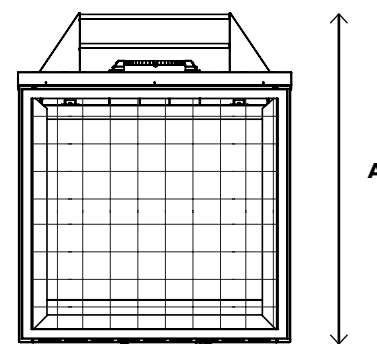
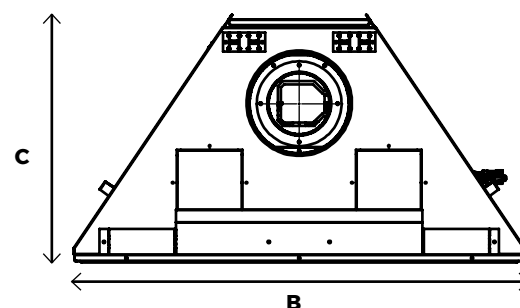
CA42

BTU's (Input)	30,000
Venting	Top* 5"/ 8"
Glass Type	Tempered
Mobile Home Certified	Yes

GLASS VIEWING AREA

Height	27 3/4"
Width	25" 1/2"

OVERALL UNIT		
A	B	C
45 7/16"	41 13/16"	18 7/8"



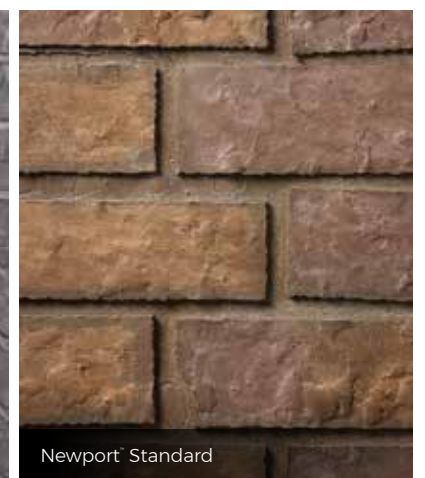
*Finishing flange depth (The finishing flange defines the perimeter of the fireplace opening). Framing or finishing materials must NEVER encroach inside the finishing flange.



Optional Remote (CF45/CF60)



Westminster[™] Standard and Herringbone



Newport[™] Standard