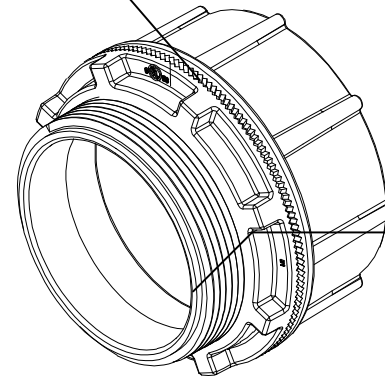


1 2 3 4 5 6 7

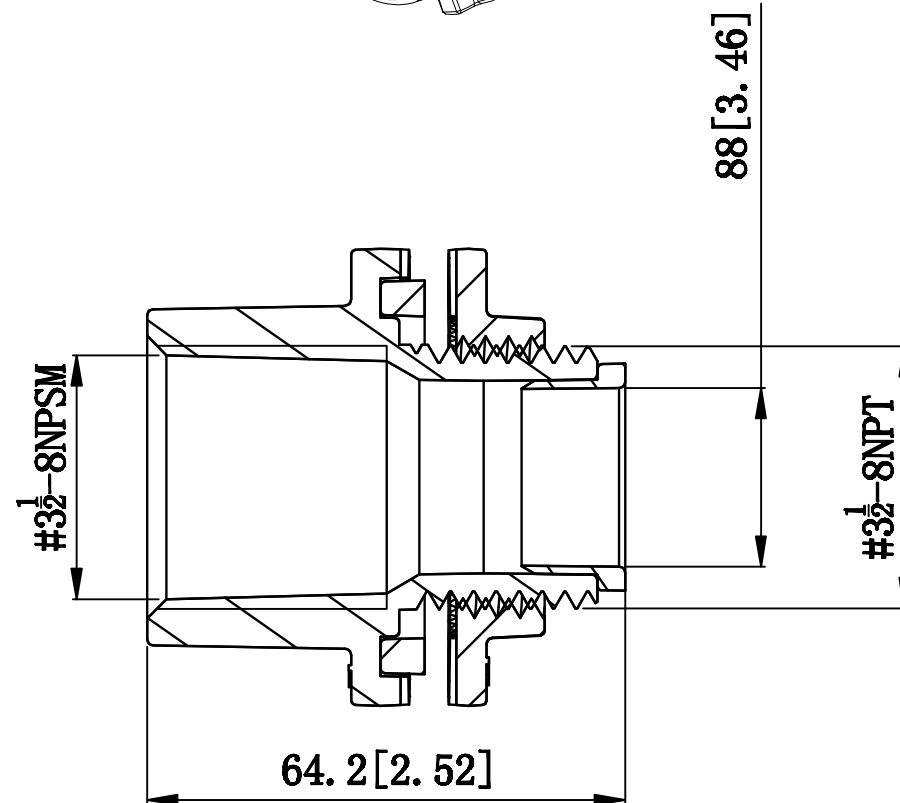
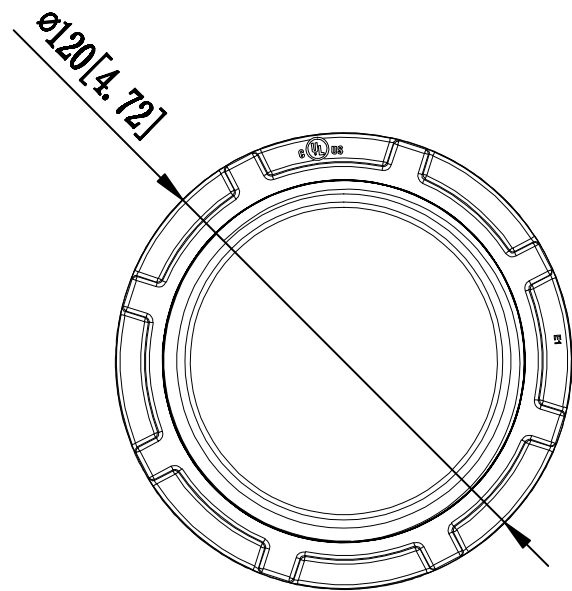
SIDES	BOTTOM
1 Pcs TWH-350 Sealing ring	
1 Pcs TWH-350 With Insulated throat	

REVISIONS			
SYM.	BY.	REVISIONS	DATE
A.			

TWH-350 Sealing ring



TWH-350 With Insulated throat



**NOTES:**

- 1.All dimensions in millimeters and [inches];
- 2.Free of sharp edge and burrs.max burr 0.5[0.0196].

UNLESS OTHERWISE SPECIFIED DIMENSIONS ARE IN INCHES TOLERANCES ARE: X.X ±0.54[±0.1] X.XX ±1.87[±0.06] X.XXX ±0.303[±0.008]		NAME	DATE
MATERIAL ZAMAK			
FINISH			
DO NOT SCALE DRAWING INTERPRET PER ASME Y14.5M-1994			

<b>GARVIN INDUSTRIES</b>			
TITLE			
SIZE A4	DWG NO. WH350	REV	
SCALE: 1:1	PRINT DATE	REFERENCES	SHEET 1 OF 1

