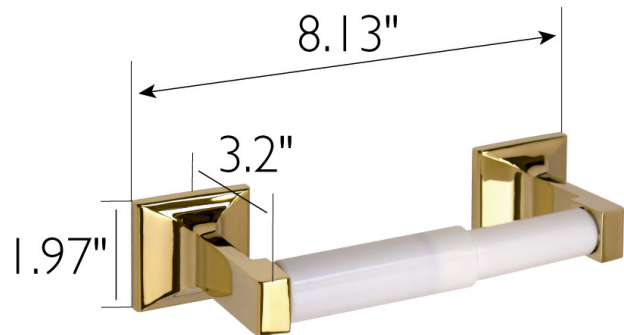


Millbridge Toilet Paper Holder
Polished Brass



SPECIFICATIONS

MATERIAL CONSTRUCTION:	Zinc
PVD FINISH:	N/A
ASSEMBLY REQUIRED:	No
TOOLS NEEDED FOR INSTALLATION:	Screwdriver
ASSEMBLED DIMENSIONS:	1.97" H x 8.13" L x 3.2" D
ASSEMBLED WEIGHT:	0.44 lbs.
MIN. LENGTH:	8.13"
MAX LENGTH:	8.13"
SCREWS INCLUDED:	Yes
DRYWALL ANCHORS INCLUDED:	Yes
CENTER TO CENTER:	N/A

WARRANTY:	1-Year limited warranty
LEGAL FOR SALE IN CALIFORNIA:	Yes
ADA COMPLIANT:	N/A



TYPE:
JOB:
ORDER CODE:
APPROVALS: