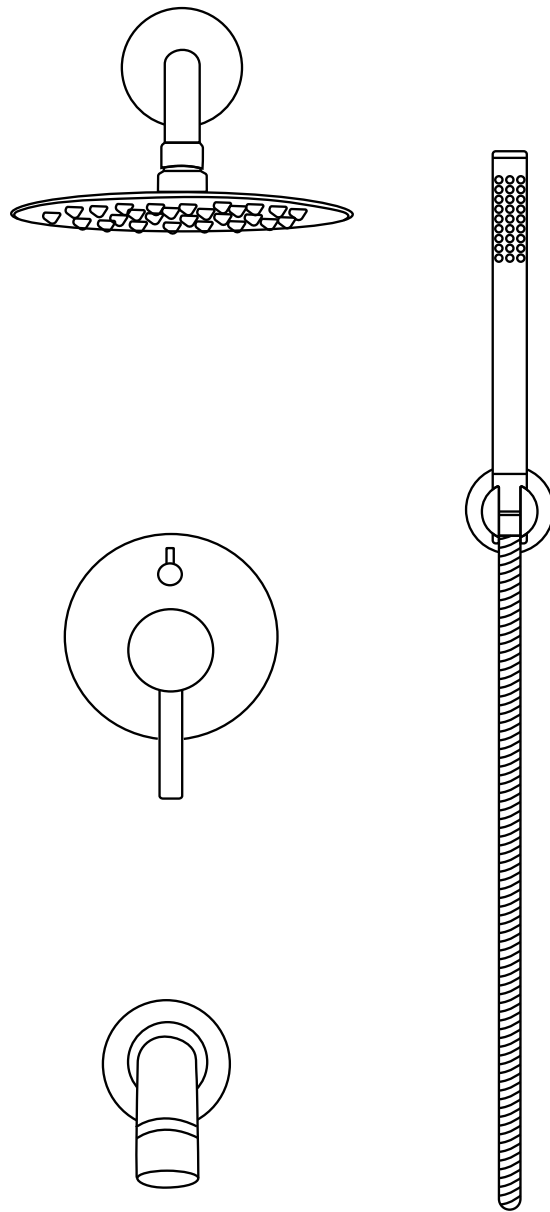


# Shower Set

## INSTALLATION INSTRUCTIONS





## PRIOR TO INSTALLATION:

- Inspect product to ensure no damages have occurred while in shipping.
- Observe all plumbing and building codes in accordance with your state and local requirements.
- All dimensions are nominal! Be sure to measure your shower set prior to installation.
- The step-by-step guidelines in the installation instructions are a general reference. Should there be any discrepancies, Swiss Madison cannot be held liable. It is recommended to install all Swiss Madison products by hiring a licensed professional.
- Read installation and maintenance instructions thoroughly before installing. Be sure to use proper tools and always wear proper personal safety accessories for your protection.

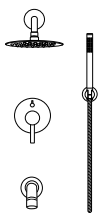
## QUESTIONS OR CONCERNS?

Please contact us:

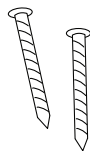
1-434-623-4766

info@swissmadison.com

## INCLUDED PARTS:



Shower head & faucet

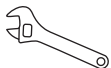


Hardware

## SUGGESTED TOOLS:



Safety Glasses



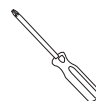
Wrench



Allen key



Pipe tape

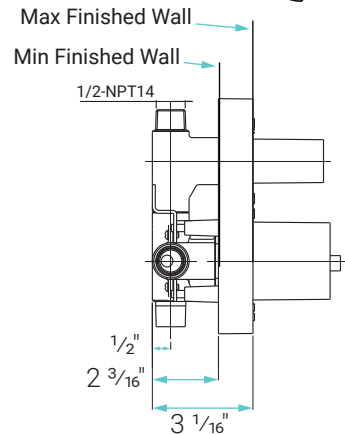
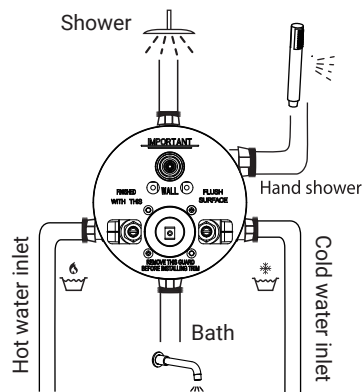
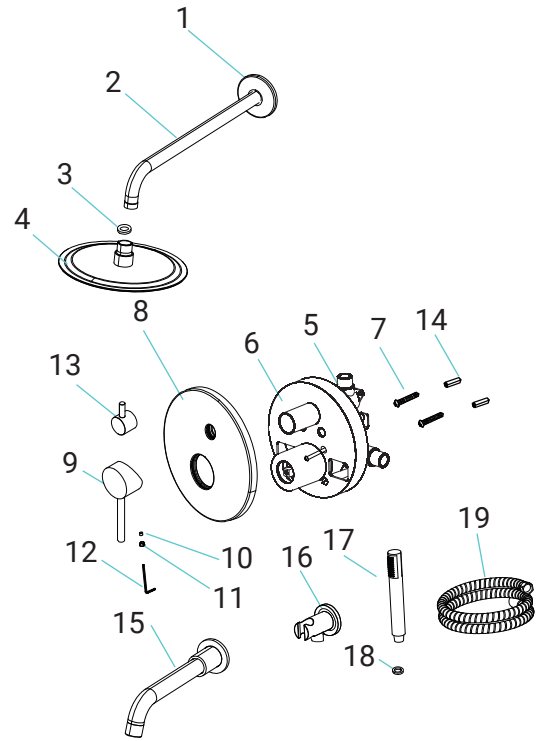


Screw driver



Drill

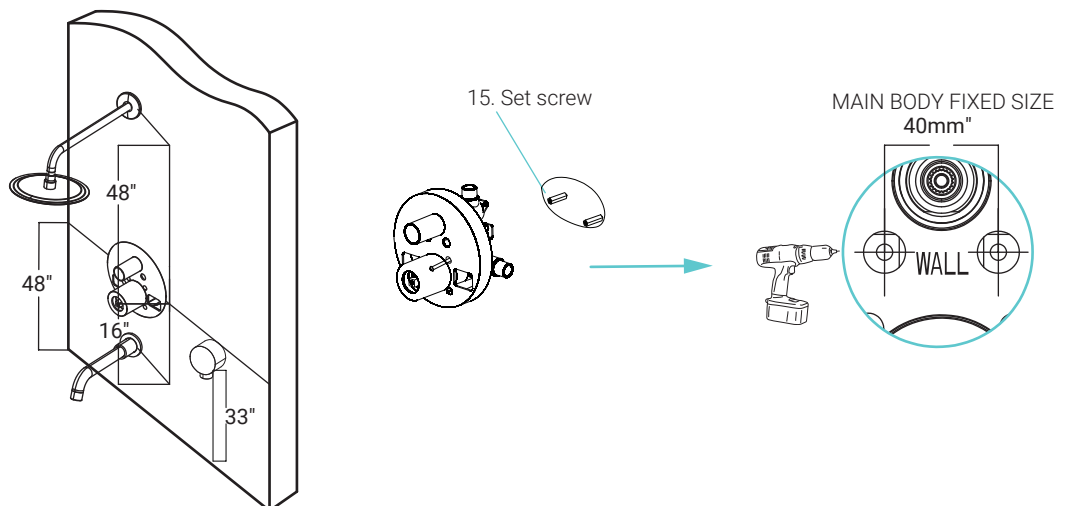
1. Trim
2. Shower arm
3. Gasket
4. Shower head
5. Valve body
6. Cover plate
7. Tapping screw
8. Panel
9. Handle
10. Screw
11. Red/blue button
12. Allen key
13. Diverter
14. Set Screw
15. Spout
16. Elbow
17. Hand shower
18. Gasket
19. Flexible hose



**INSTALLATION:**

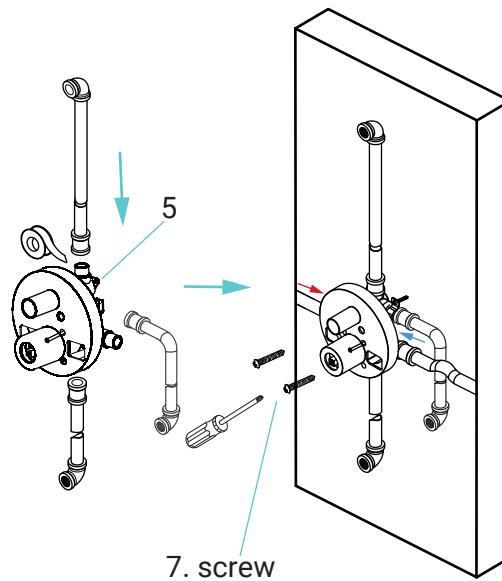
**1 Mount Valve Body**

- Following the installation reference size, insert two set screws (14) for the valve body mounting.



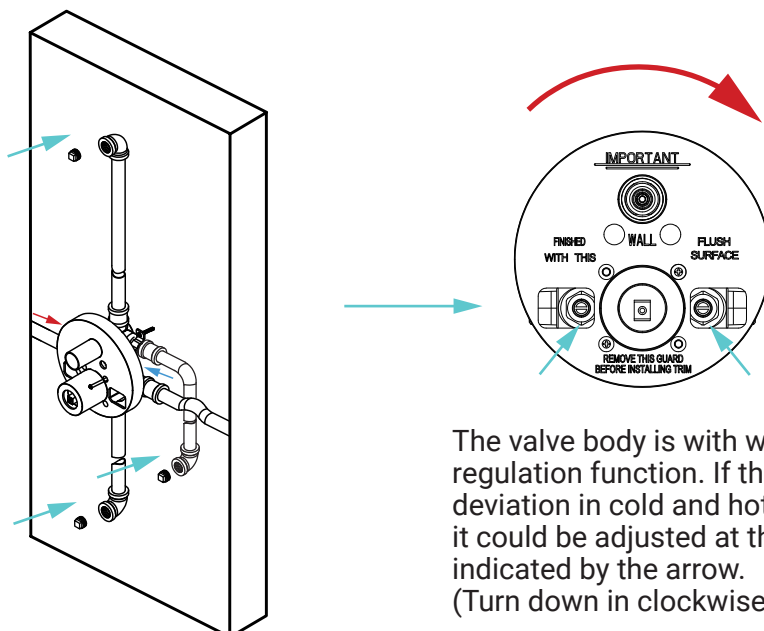
## 2 Connect Water Lines

- Insert the valve body (5) into the pre-cut hole and align with the set screws and attach the vertical water line, then secure the valve body using provided screws (7).
- Connect the horizontal hot/cold water lines to the valve body.



## 3 Plug Water Outlets & Test Water Pressure

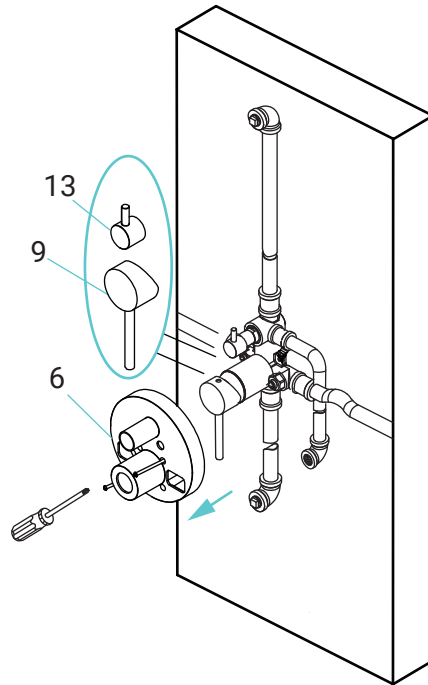
- Test 3 minutes @ 1.6 MPA when the ceramic cartridge is closed.
- Test 3 minutes @ 0.4 MPA when the ceramic cartridge is open.
- Proceed to next step if no leaking occurs after test.



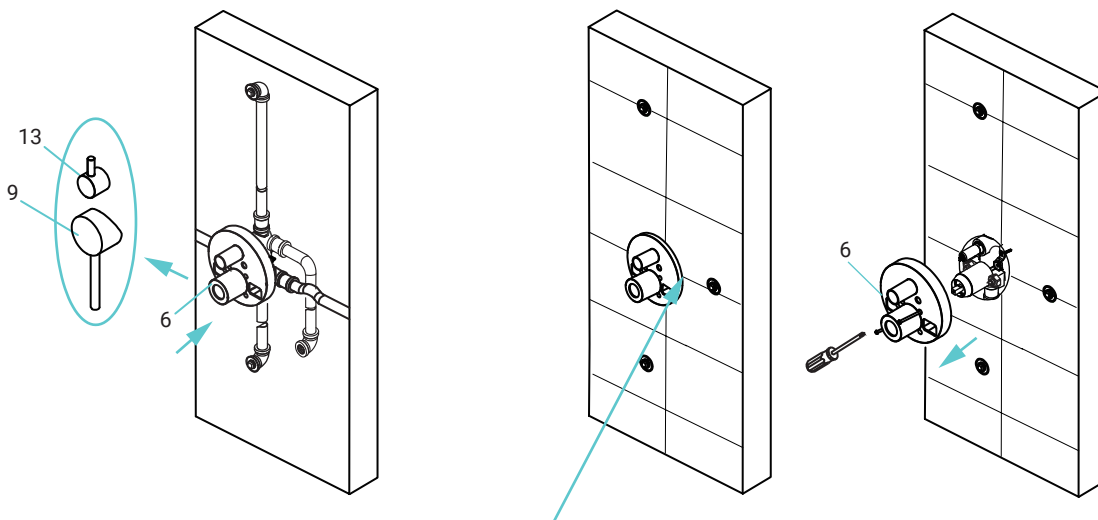
The valve body is with water flow regulation function. If there is great deviation in cold and hot water flow, it could be adjusted at the point indicated by the arrow.  
(Turn down in clockwise rotation)

#### 4 Cover Plate & Handle

- Remove the cover plate (6) and install the handle (9) and the diverter (13).



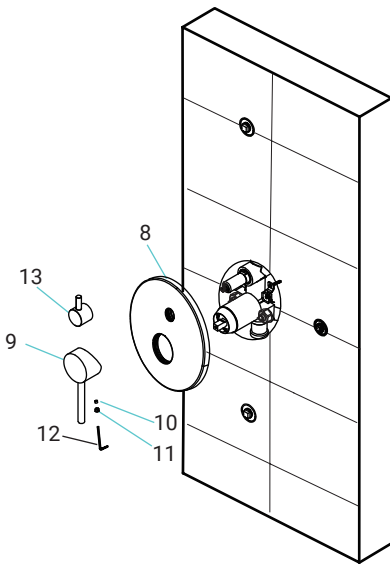
- If finishing on tiled wall, remove the handle (9) and diverter (13) and put the cover plate (6) back over the valve. Remove cover plate after finished wall is complete.



The tile surface should be 10cm lower than the black cover plate (6).

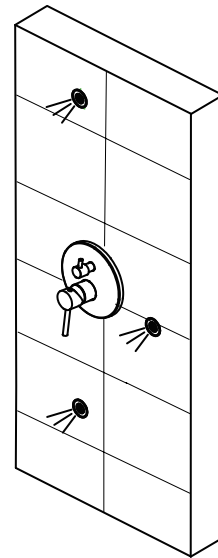
## 5 Installing Valve

- Finish valve installation by adding the panel (8), handle (9), and diverter (13), then use the allen key (12) and screw (10) to secure the handle and diverter, put on the red/blue button (11).



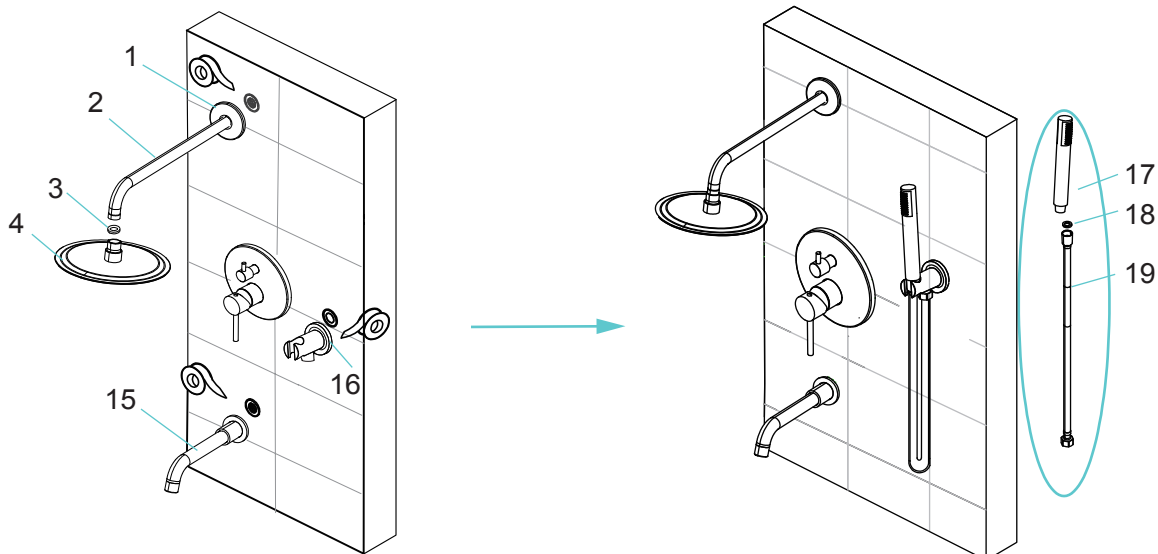
## 6 Flush Water Lines

- Remove the plug from the shower head and tub spout lines and flush any dirt from the water lines.



## 7 Complete Installation

- Use plumbing tape to seal the trim (1), shower arm (2), tub spout (15) and elbow (16).
- Attach the flexible hose (19), gasket (18), and hand shower (17) as shown below to complete installation.



## ONE-YEAR LIMITED WARRANTY

Swiss Madison® products are made with quality materials and excellent craftsmanship to provide our customers with beautiful, durable, long-lasting products. Should there be any defects in materials or craftsmanship under regular use that are discovered within the first year after delivery, Swiss Madison® will provide replacement parts at no charge, or at its discretion, replace any product or part of the product that is deemed defective, under normal installation, use, service or maintenance. This warranty applies only to the original purchaser. Proof of purchase must be submitted with any warranty claim.

Swiss Madison® recommends that all installations of Swiss Madison® products to be conducted by a licensed plumber or contractor. Swiss Madison® will not be held responsible for any damage or product failure due to improper installation, misuse, or failure to utilize a licensed plumber or contractor for installation. Swiss Madison® is not responsible for any installation or removal costs.

### THIS ONE-YEAR LIMITED WARRANTY WILL BE VOIDED IF:

- The installation instructions were not followed by the installer
- The product has been moved from its initial place of installation
- The product has in any way been modified from its original condition
- The product has been subjected to improper maintenance, abuse, misuse, excessive use of chemicals, accidents, or other damages

Swiss Madison® makes no warranty that its products comply with any local building or plumbing codes. It is the consumer's responsibility and obligation to determine local code compliance prior to and during installation.

Swiss Madison® is not responsible for any special, incidental or consequential damages associated with the installation, replacement, return or use of the original purchaser's product. This includes, but is not limited to: freight costs, labor, travel time, lost profit, home damages and other contingent liabilities and costs (including, without limitation, costs associated with 'professionals' or 'experts', investigations, audits, analyses, attorneys and any other professional/hired services). Some states do not allow the exclusion or limitation of incidental or consequential damages, so the above limitation or exclusion may not apply to you.

The Swiss Madison® warranty is a comprehensive and explicit limit of liability. All other warranties are hereby disclaimed and waived.

**QUESTIONS OR CONCERNS?** Please contact us directly at: 1-434-MADISON (623-4766)



### **WARNING:**

Contents of your order may contain sharp and possibly other harmful pieces and may cause hazard to children and adults. Swiss Madison® is not responsible in any way for personal injuries or damages.