

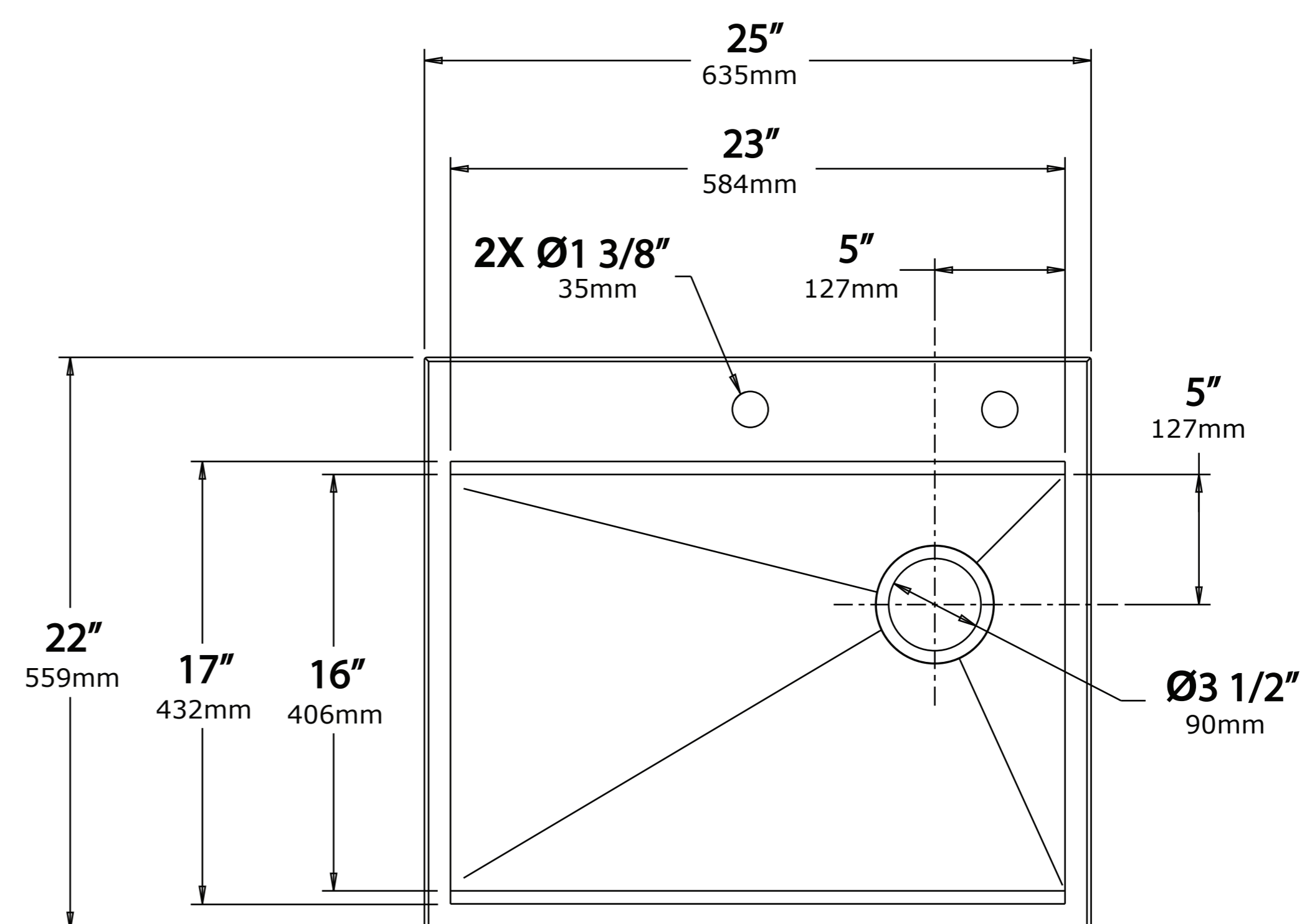
# Kräus®

www.kraususa.com

**Model No.**  
**KWT311-25**

**Top Mount Cut-out**

**Pro Hotline: 516.801.8955**  
**Customer Service: 800.775.0703**



**NOTE:** Cutout template is provided as a guide **ONLY** and must be checked against actual sink to verify correct fit.