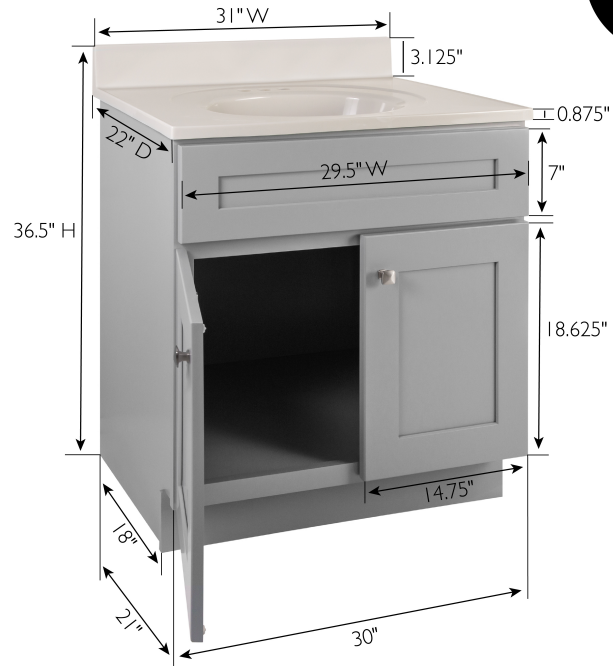


Gray

Brookings 2-Door Vanity with Cultured Marble 4 in. Centerset White on White Top, Assembled, 31 x 22

FULLY ASSEMBLED VANITY



SPECIFICATIONS

MATERIAL CONSTRUCTION: Wood/Cultured Marble
ASSEMBLY REQUIRED: No
ASSEMBLED DIMENSIONS: 36.5" H x 31" L x 22" D
ASSEMBLED WEIGHT: 105.89 lbs.
TOOLS NEEDED FOR INSTALLATION: 100% Silicone, Phillips Screwdriver, Rubber Mallet, Wood Glue

CONSTRUCTION TYPE: Face Frame
HINGE STYLE: Soft Close
DOOR STYLE: 2 Shaker Doors
DOOR MATERIAL: Solid Wood
FACE FRAME MATERIAL: Solid Wood
SIDES MATERIAL: Plywood
BOTTOM MATERIAL: Plywood

TOE KICK INSET WIDTH: 3"
BACK PANEL MATERIAL: Plywood
BACK BRACE MATERIAL: Solid Wood
FAUCET TYPE: Lav Centerset
NUMBER OF MOUNTING HOLES: 3
BOWL MATERIAL: Cultured Marble
BACK SPLASH INCLUDED: Yes
COLOR: White on White
NUMBER OF BOWLS: 1
BOWL DIMENSIONS: 11.69" W x 17.13" D
BOWL SHAPE: Oval
SINK THICKNESS: 0.98"
MOUNTING TYPE: Integrated
OVERFLOW HOLE: Yes

WARRANTY: 1-Year limited warranty
TSCA TITLE IV COMPLIANT: Yes
LEGAL FOR SALE IN CALIFORNIA: Yes
PROP 65 HARMFUL MATERIAL: Formaldehyde



TYPE:
 JOB:
 ORDER CODE:
 APPROVALS: