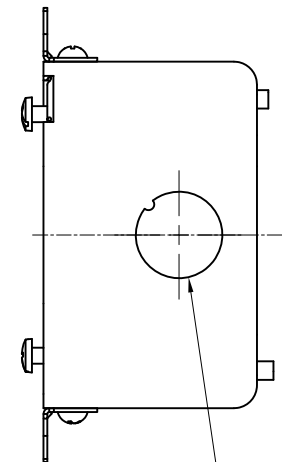
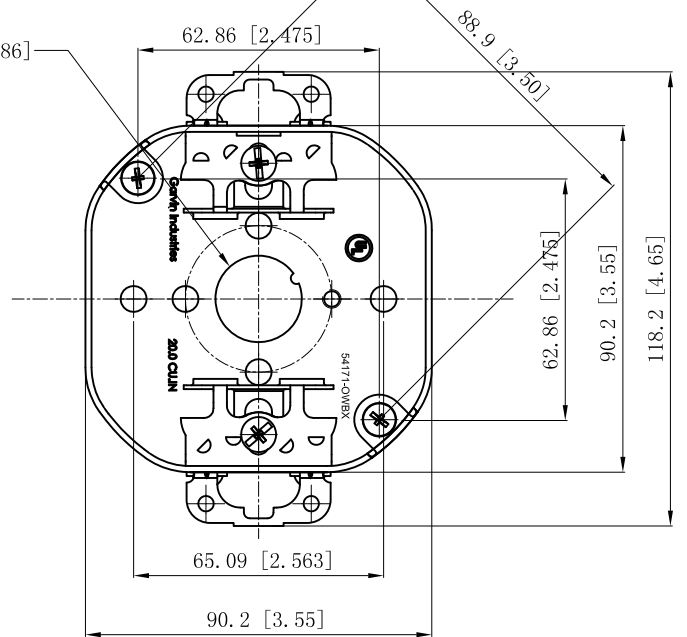
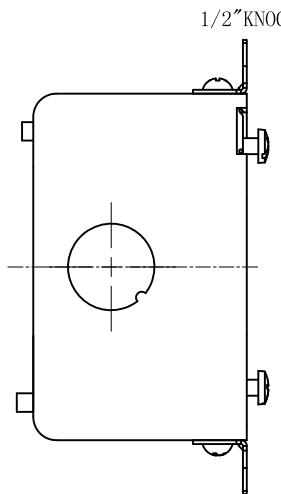
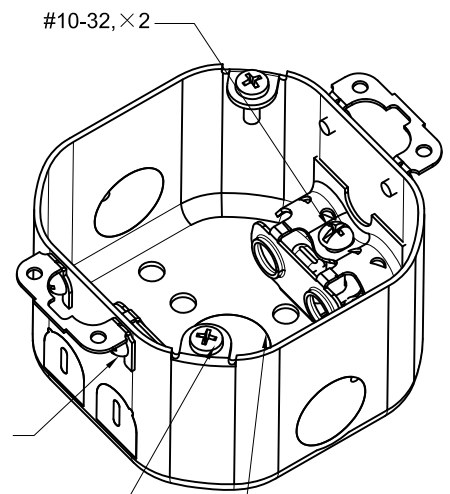
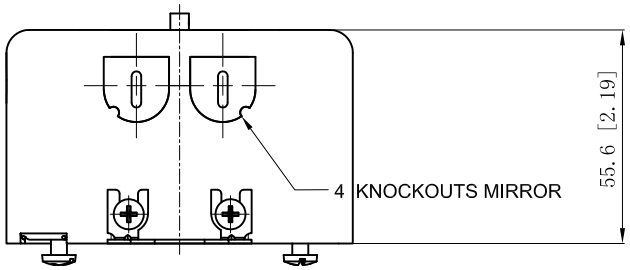
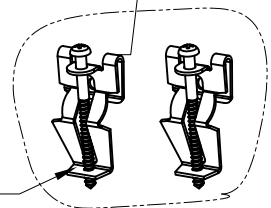


SIDES	BOTTOM
2 KNOCKOUTS	1/2" KNOCKOUTS
2 1/2 KNOCKOUTS	
2 Pcs #8-32x1/2" screw install	
4 Pcs #8-32x1/8" screw install	
2 Pcs #10-32x1" screw install	
Material: Steel-0.0625"-G60 Galvanized	



#8-32, x4
#8-32, x2



OWC, x2
2 1/2 inch KNOCKOUTS φ=22.50 [φ=0.886]

This data sheet is for reference only. GARVIN INDUSTRIES reserves the right to make changes to the design without prior notice.

DESCRIPTION
TRADE REFERENCE TERMS

STANDARD PACKING	GARVIN INDUSTRIES		
	TITLE 4" OCTBX, 2-1/8"D, BX/MC, OW		
	SIZE A4	DWG NO. 54171-OWBX	REV A
	DATA SHEET		
www.garvinindustries.com			