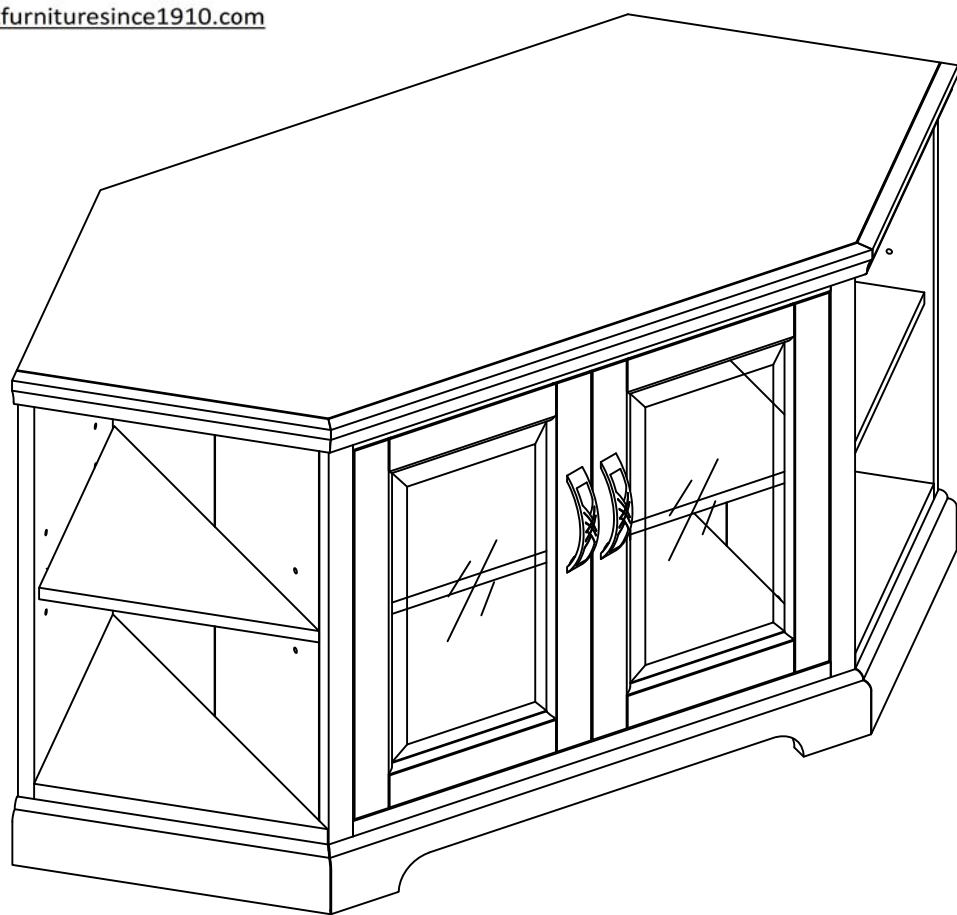


ITEM# 81287



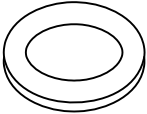
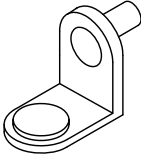


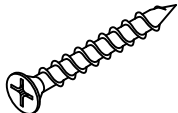
Corner TV Cart With Corner Open Display

**Leick**  
Home  
SINCE 1910

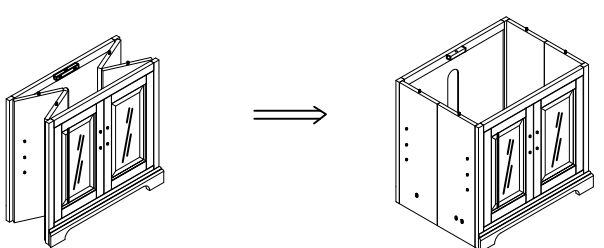
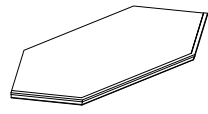
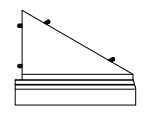
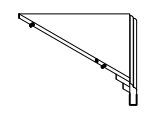
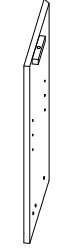

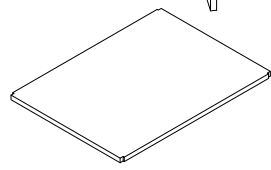
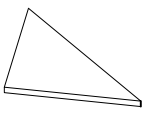
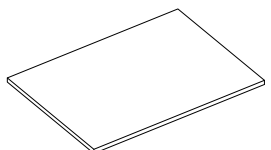
2219 S. 19th St.  
Sheboygan, WI 53081  
Ph: 920-451-4060  
Fax: 920-451-4063  
[info@leickfurnituresince1910.com](mailto:info@leickfurnituresince1910.com)



Hardware List

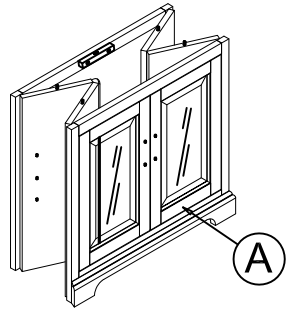
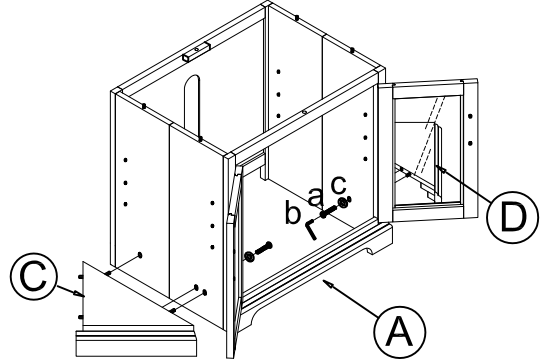
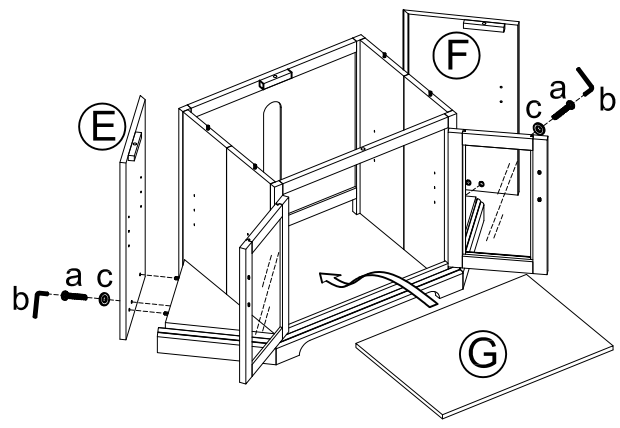
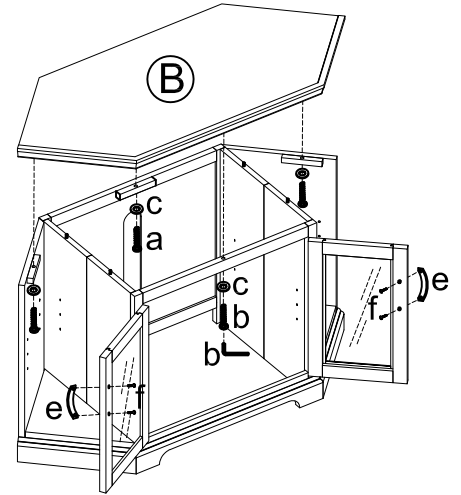
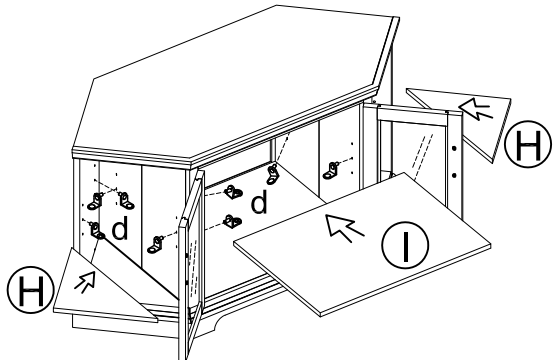
Item	Description	Qty
a	 Bolt 1/4"*1-1/8"	8PCS
b	 Allen wrench	1PC
c	 Washer 1/4"*12mm	8PCS
d	 Shelf metal clip	12PCS
e	 Door Pull	2PCS
f	 Machine screw for door pull 5/32"*7/8"	4PCS
g	 Wood screw 8#*1"	2PCS

# Parts List

Item	Description	Qty
<b>A</b>	 Cabinet	1PC
<b>B</b>	 Top Panel	1PC
<b>C</b>	 Left Side Bottom Panel	1PC
<b>D</b>	 Right Side Bottom Panel	1PC
<b>E</b>	 Left Side Back Panel	1PC
<b>F</b>	 Right Side Back Panel	1PC
<b>G</b>	 Middle Bottom Panel	1PC
<b>H</b>	 Side Adjustable Shelf	2PCS
<b>I</b>	 Middle Adjustable Shelf	1PC

# Assembly Instructions

Two person assembly recommended.

<p><b>step 1</b> Unfold Cabinet.</p> 	<p><b>step 2</b> Insert the side bottom panels and fasten with bolts.</p> 
<p><b>step 3</b> Insert the side back panel and fasten with bolts. Insert the center bottom panel.</p> 	<p><b>step 4</b> Bolt on top with 4 bolts. DO NOT OVER TIGHTEN. Install the door pulls.</p> 
<p><b>step 5</b> Install shelf clips and insert shelves.</p> 	<p><b>step 6</b> Fasten two side back panels with two screws into the cabinet.</p> 