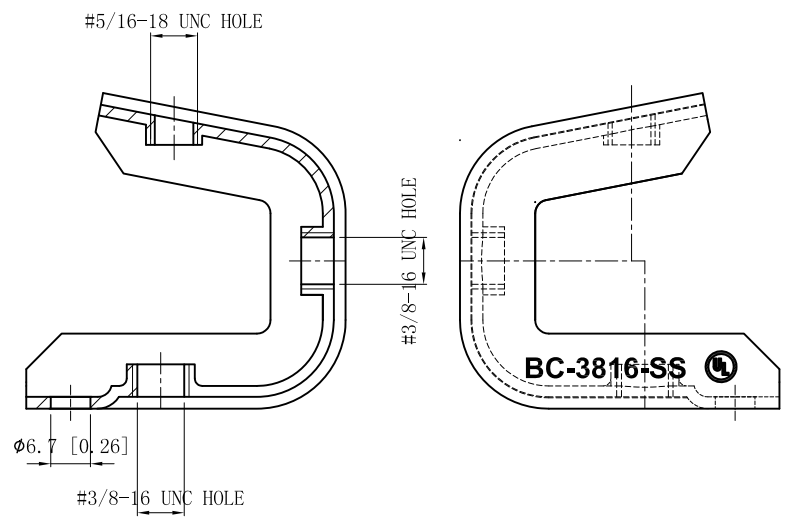
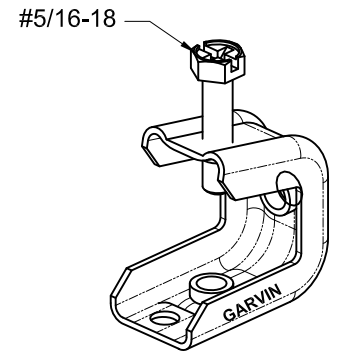
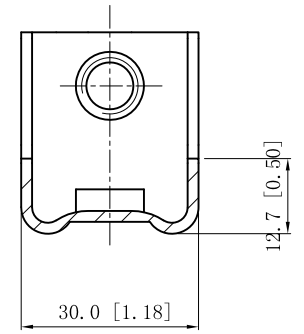
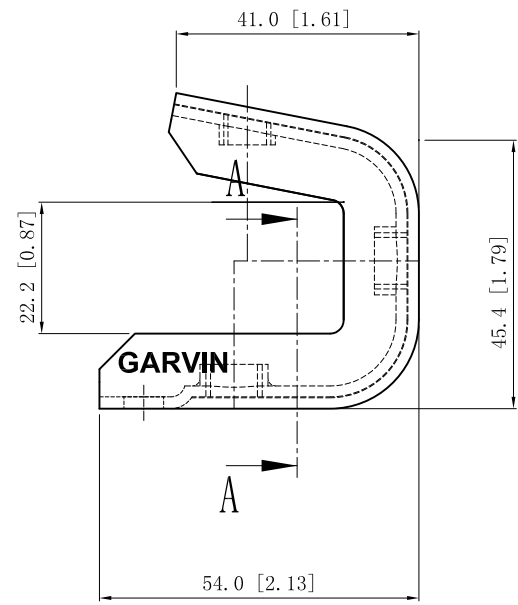
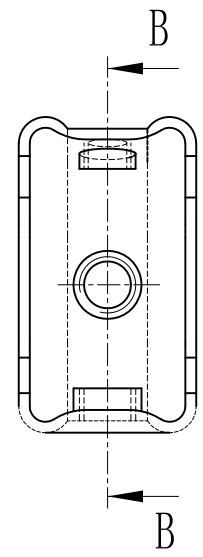


SIDES	BOTTOM
1 PCS 5/16-18×1 3/8 Screws Installed	
Material:0.073"-316 Stainless steel	



CUTAWAY VIEW B-B



CUTAWAY VIEW A-A

This data sheet is for reference only .GARVIN INDUSTRIES reserves the right to make changes to the design without prior notice.

DESCRIPTION
TRADE REFERENCE TERMS

STANDARD PACKING	<h1>GARVIN INDUSTRIES</h1>		
25 PCS			
TITLE	STAMPED STEEL BEAM CLAMPS		
SIZE	DWG NO.	REV	
A4	BC-3816-SS	C	
DATA SHEET			
www.garvinindustries.com			