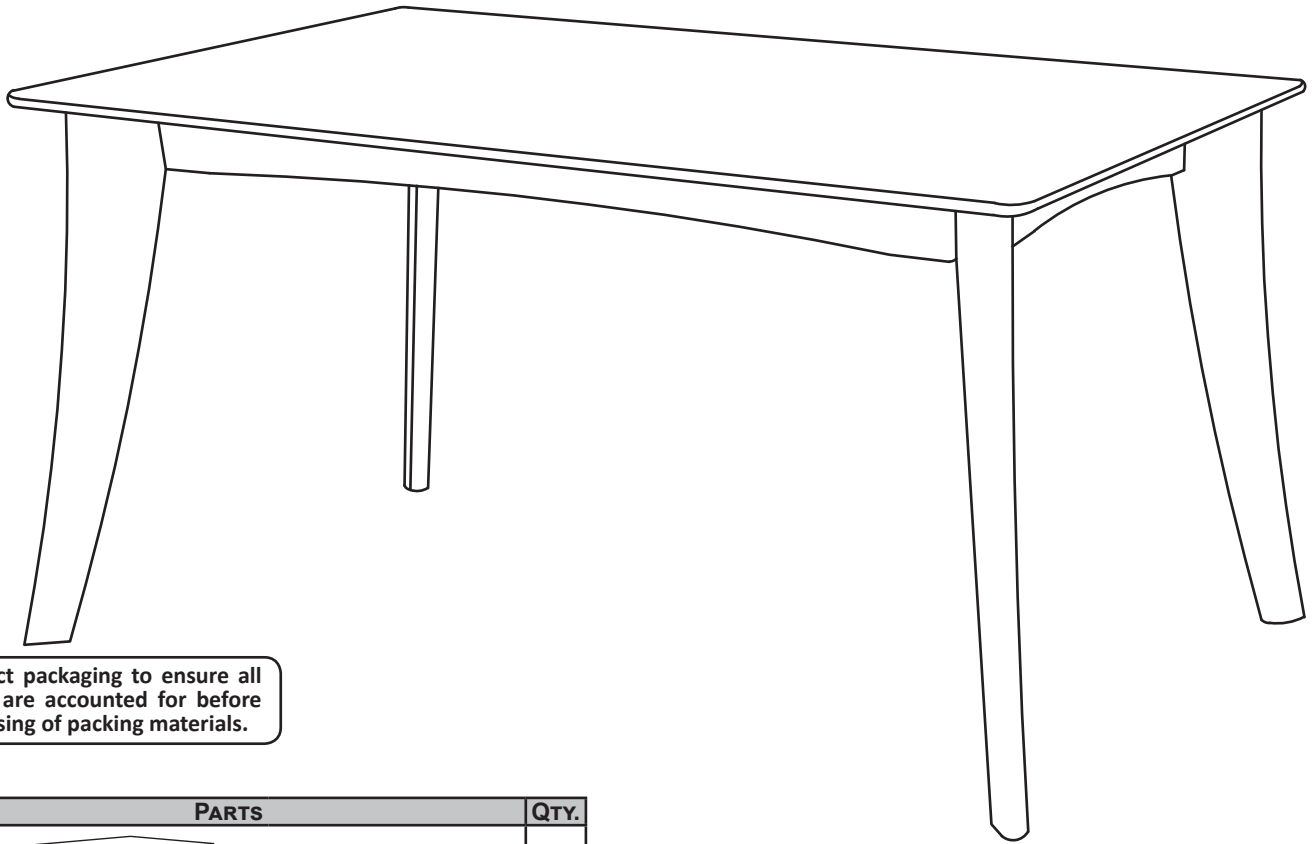









# JAMES 4-FOOT RECTANGULAR DINING TABLE

## BWD-832

Carefully read all assembly and information in this manual before using this product. Save this manual for future reference.  
**Assemble components on a soft, clean surface to avoid damaging the finish.**

Inspect packaging to ensure all parts are accounted for before disposing of packing materials.

No.	PARTS		QTY.
A		Table Top	1
B		Leg	4
1		JCBC M6x60mm Bolt	8
2		Split Washer	8
3		Flat Washer	8
4		Hex Key	1

**⚠ WARNING ⚠**

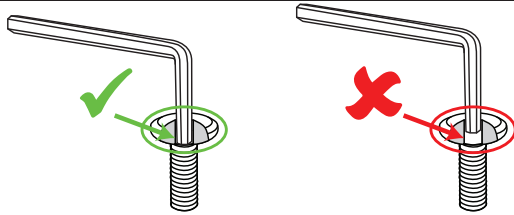
**CHOKING HAZARD** — This item contains small parts that can be swallowed. Keep children and pets away during assembly.

**NOTE:** Over time and with use, the bolts may become loose. Save the included tool for tightening loosened hardware.

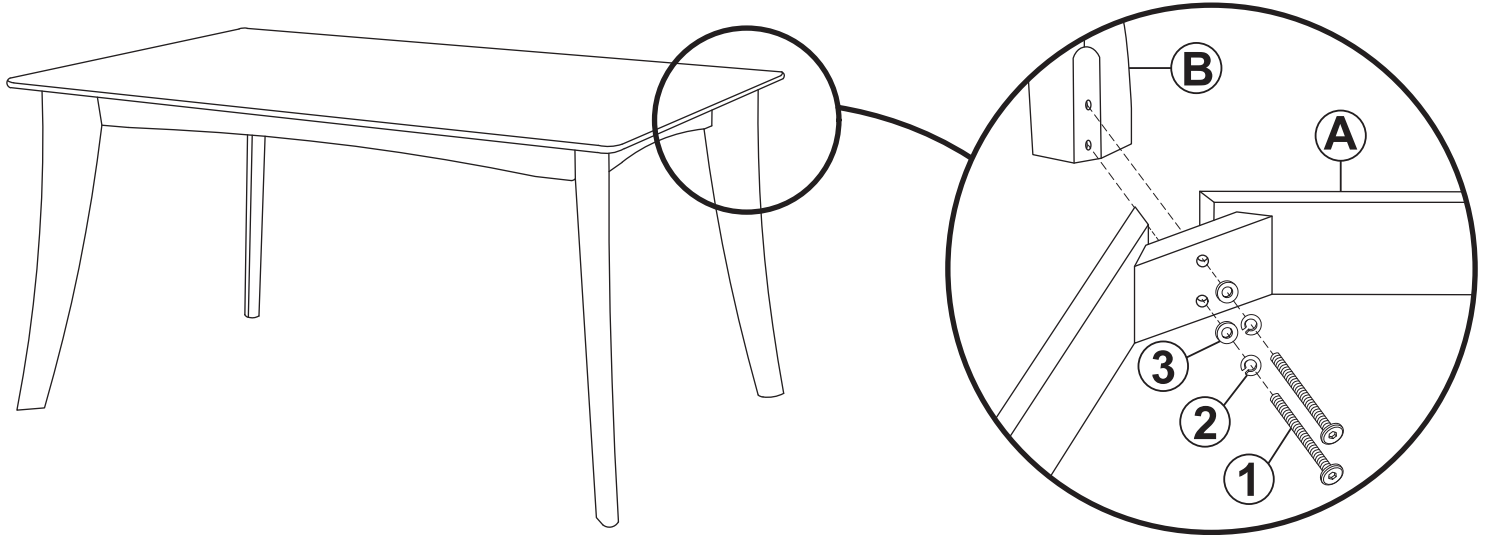
### ! HELPFUL HINT

Sunnydaze Decor advises reading this manual fully, and assembling the item soon after purchase. Check that all parts are accounted for and familiarize yourself with the assembly before beginning.

# ASSEMBLY



**Tip:** Always fully insert the hex key inside the designated notch of the bolt. If the hex key is not entirely inside the notch, the hex key could slip out, causing damage to the bolt head. In addition, repeated hex key slipping will cause the notch to become rounded, making it difficult or impossible to tighten the bolt.



Place Table Top (A) upside-down on a soft, clean surface.

Align Leg (B) with the corner of the table top. Use two sets of Flat Washer (3), Split Washer (2), and JCBC M6x60mm Bolt (1) to secure the leg as shown. Repeat until all legs have been securely fastened.

## Care & Maintenance



Clean the furniture using a dry, soft cloth or clean feather duster.



Remove stains with a slightly damp cloth and mild soap. Dry with a soft cloth to prevent water damage.



Do not clean with harsh cleansers or polish.



Do not put hot items or any liquids directly on the furniture surface.

## ! SAFETY STATEMENTS & WARNINGS !

- For indoor use only.
- This product is for residential use only; institutional or commercial use will void this warranty.
- Ensure fittings are tight before use. Periodically check fitting to ensure they are tight.
- Do not exceed the weight capacity of this item.
- Do not place liquids or hot items directly on the unit.
- Never use chemical cleaning products or polishes as they may damage the finish.
- Avoid long-term exposure to sunlight.
- Avoid placing near heating or cooling vents as forced air is be very drying and could damage the wood.
- Use a padded barrier to protect the table surface when using writing utensils.

**Any modification to the product or failure to follow recommended care will void the product warranty.**

### ! WARNING:

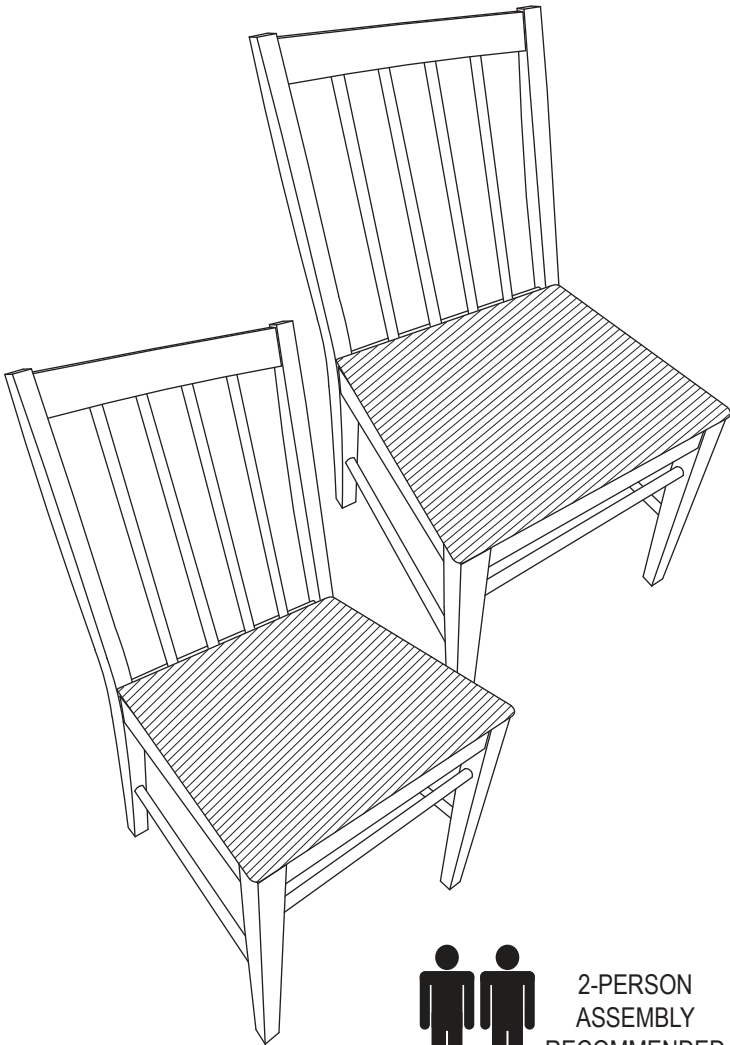
Manufacturer and seller expressly disclaim any and all liability from personal injury, property damage or loss, whether direct or indirect, or incidental, resulting from the incorrect attachment, improper use, inadequate maintenance, or neglect of this product.

Thank you for choosing Sunnydaze Decor. We stand behind our brand and the quality of the items we sell. Replacement parts or products will be sent at our discretion within the 1-year warranty period. Proof of purchase, with the date of purchase as well as photos of the merchandise defect, must be provided. Photos are used to determine the cause of defects and for future quality control. Register your warranty at <https://tiny.cc/SunnydazeWarranty>. If you have any questions, comments or concerns, feel free to contact us by phone at 833-982-1977, by email: [customerservice@sunnydazedecor.com](mailto:customerservice@sunnydazedecor.com), or via our contact us page at <https://tiny.cc/SunnydazeContact>

# SLAT-BACK DINING SIDE CHAIRS

## BWD-849

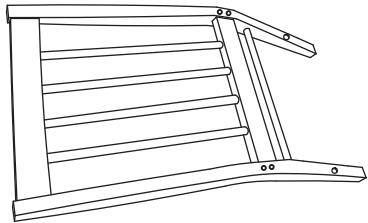
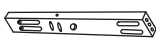

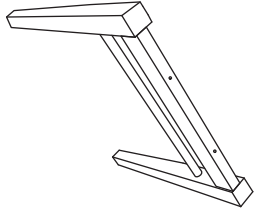
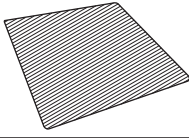
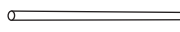





Carefully read all assembly and information in this manual before using this product. Save this manual for future reference.  
**Assemble components on a soft, clean surface to avoid damaging the finish.**



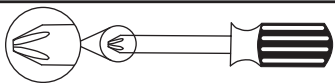
 2-PERSON  
ASSEMBLY  
RECOMMENDED



Inspect packaging to ensure all parts are accounted for before disposing of packing materials.

No.	PARTS	QTY.
A	 Back	2
B	 Apron (L/R)	4
C	 Stretcher	4
D	 Front Leg Panel	2
E	 Seat	2
F	 Seat Support	2
1	 JCBC M6x50mm Bolt	16
2	 Split Washer	16
3	 M4x32mm Screw	16
4	 8x30mm Wood Dowel	4
5	 Hex Key	1

### TOOLS REQUIRED (not included)



Phillips Screwdriver

### ! HELPFUL HINT

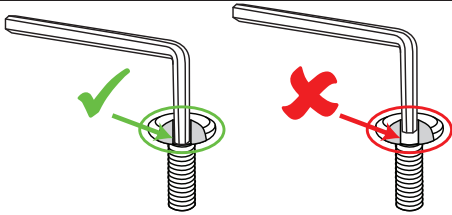
Sunnydaze Decor advises reading this manual fully, and assembling the item soon after purchase. Check that all parts are accounted for and familiarize yourself with the assembly before beginning.

**NOTE:** Over time and with use, the bolts may become loose. Save the included tool for tightening loosened hardware.

### ! WARNING !

**CHOKING HAZARD** — This item contains small parts that can be swallowed. Keep children and pets away during assembly.

# INDIVIDUAL CHAIR ASSEMBLY

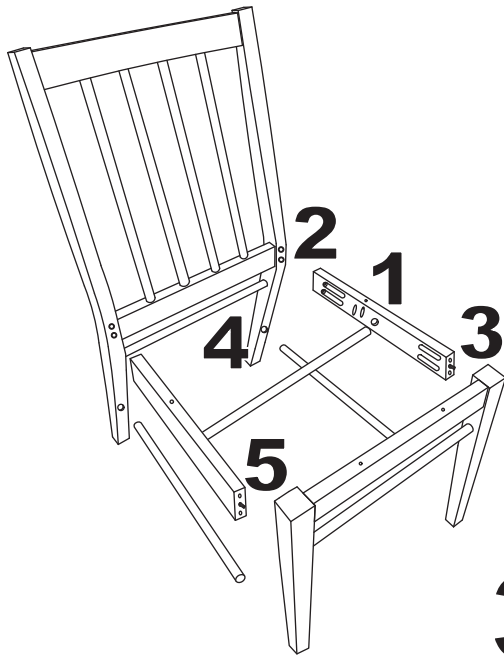


**Tip:** Always fully insert the hex key inside the designated notch of the bolt.

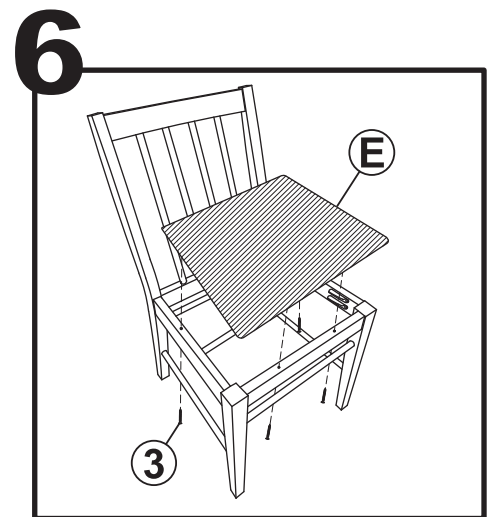
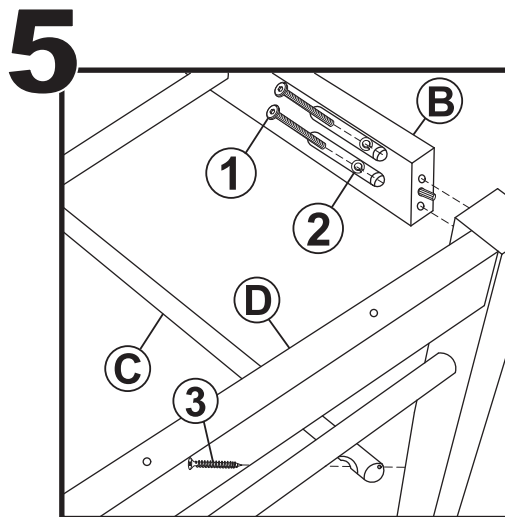
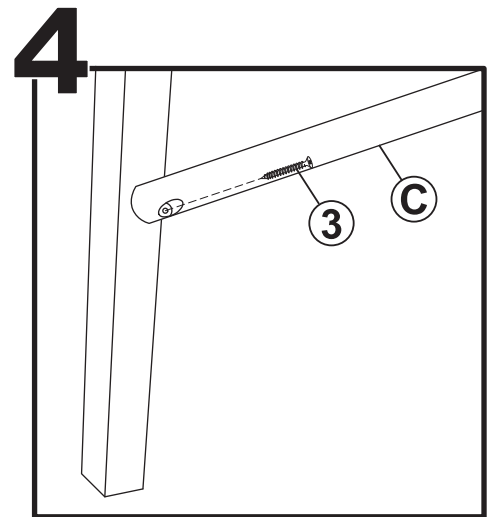
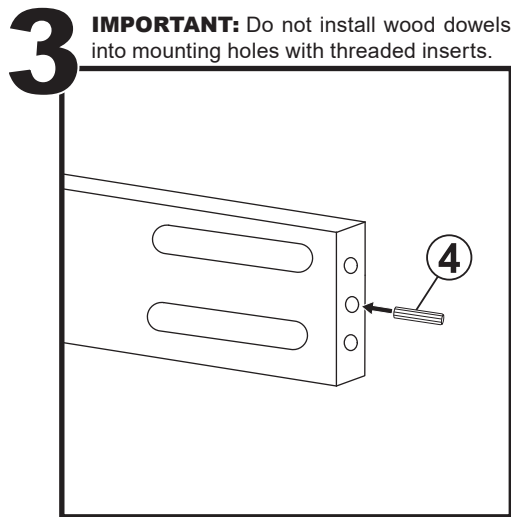
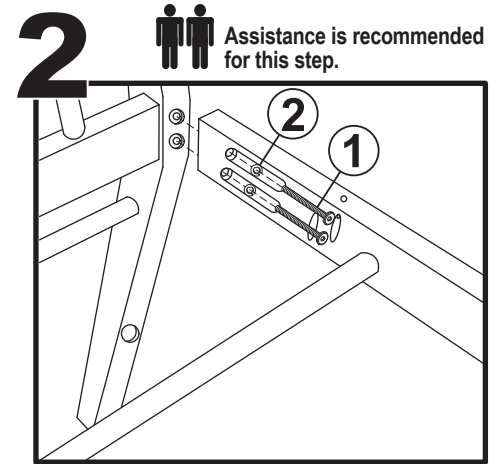
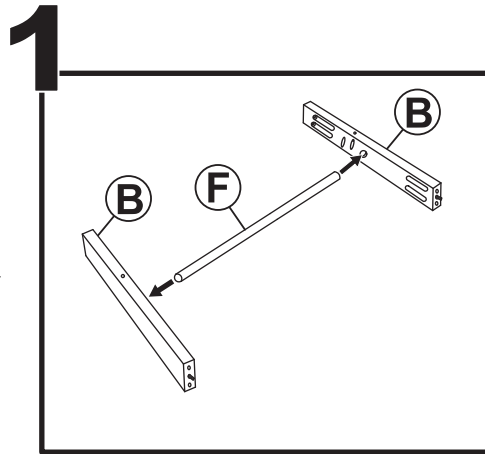
If the hex key is not entirely inside the notch, the hex key could slip out, causing damage to the bolt head. In addition, repeated hex key slipping will cause the notch to become rounded, making it difficult or impossible to tighten the bolt.

**Review all steps and understand assembly before beginning.**

**Do not fully tighten hardware until all frame components have been loosely assembled.**



1. Align Seat Support (F) with mounting holes in Aprons (B) as shown.
2. Align right-side Apron (B) with the top mounting holes of Back (A) and loosely secure using two sets of M6x50mm Bolts (1) and Split Washers (2) as shown. Repeat to connect the left-side apron to the chair back.
3. Place one Wood Dowel (4) into the center mounting hole on the front of both aprons.
4. Ensuring the mounting holes face the bottom of the chair, align Stretcher (C) with the bottom mounting holes on the chair back and secure using M4x32mm Screw (3) as shown. Repeat on the opposite side of the chair back.
5. Align Front Leg Panel (D) with the aprons and stretchers. Loosely secure each apron using two sets of M6x50mm Bolts (1) and Split Washers (2). Secure Stretcher (C) to the front leg panel using M4x32mm Screw (3). Repeat on the opposite side of the front chair panel.
6. Fully tighten all hardware from previous steps. Then, align Seat (E) with the assembled chair and secure using four M4x32mm Screws (3) as shown.



# Care & Maintenance

**SAFE USE:** Follow all safety statements and warnings. For residential use only. Only use on a flat, level surface. Do not stand on the chair. Do not exceed the weight capacity of the chair.

**INSPECT:** Before use, ensure the unit is assembled correctly and all hardware is securely tightened. If parts are missing, broken, damaged, or worn out, do not use this product.

**SUN EXPOSURE:** All fabrics will eventually fade from sun exposure. Maintain cushion color and integrity by keeping the unit out of direct sunlight.

**CLEAN:** Use a soft cloth and clean, warm water to spot-clean the cushion. Use a slightly damp cloth to hand-wash the chair. Do not use chemicals or abrasive materials to clean any part of the unit.

## Cleaning

*Do not use bleach, harsh chemicals, or abrasive materials to clean the furniture.*

### SEAT CUSHION

- Frequently brush or vacuum the cushion to prevent dust and dirt from getting deep into the fabric.
- Spot clean the cushion using a soft cloth and lukewarm water. For more stubborn stains, gently scrub using mild soap and lukewarm water. Press a dry towel on the spot-cleaned area to absorb excess moisture. Allow to thoroughly dry before use.

### WOODEN SURFACES

- Use a dry, soft cloth or a clean feather duster to remove dust. For more stubborn stains, gently scrub wooden surfaces using a slightly damp cloth.

## SAFETY STATEMENTS & WARNINGS

- For indoor use only.
- This product is for residential use only; institutional or commercial use will automatically void the product warranty.
- This product is intended to be used by one person at a time.
- Ensure fittings are tight before use. Periodically check fitting to ensure they are tight.
- Do not stand or climb on any part of this unit.
- Do not exceed the weight capacity of the furniture.
- Do not place liquids or hot items directly on the furniture.
- Never use chemical cleaning products or polishes as they may damage the finish.
- Avoid long-term exposure to sunlight.
- Avoid placing near heating or cooling vents as forced air is be very drying and could damage the wood.

**Any modification to the product or failure to follow recommended care will void the product warranty.**

*If you experience issues with assembly or the product was damaged during shipping, please contact our customer service team through one of the methods mentioned at the top of page 1.*

*Please have the item number and order information ready to expedite response time.*

## NOTICE:

**Manufacturer and seller expressly disclaim any and all liability from personal injury, property damage or loss, whether direct or indirect, or incidental, resulting from the incorrect attachment, improper use, inadequate maintenance, or neglect of this product.**