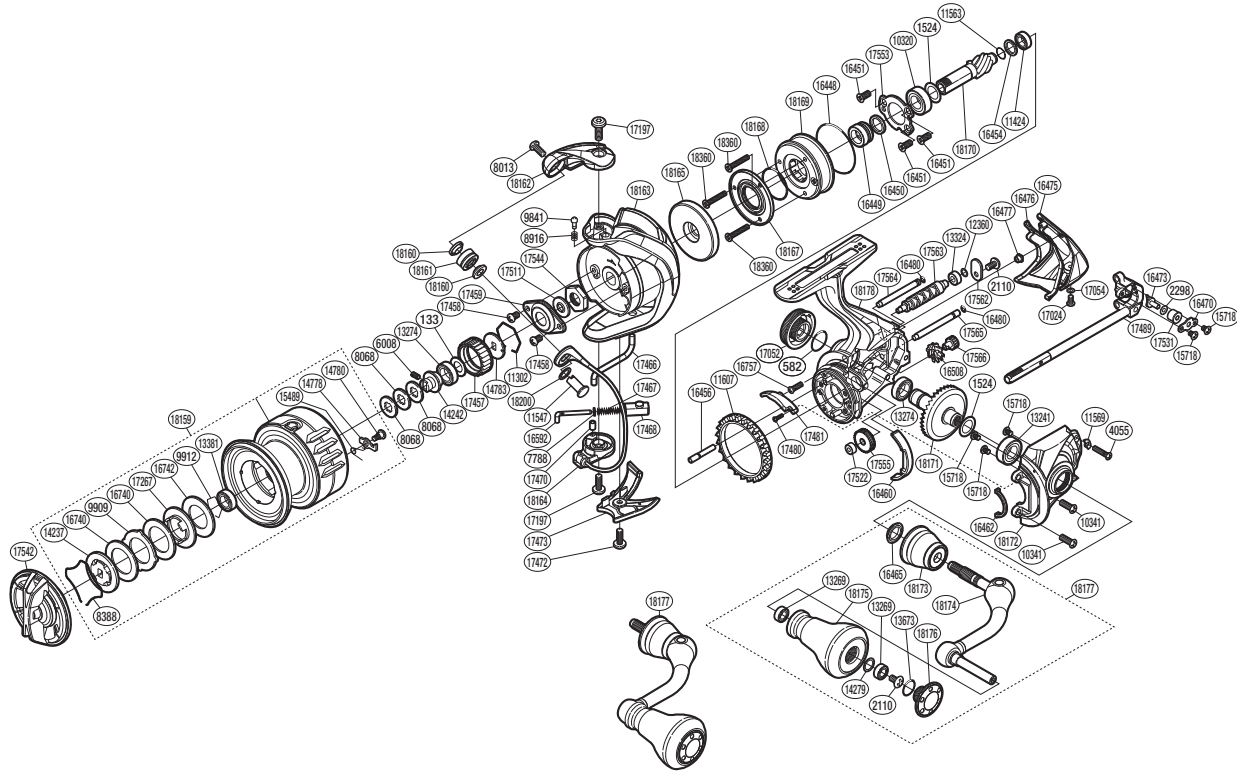


SHIMANO

TWIN POWER SA-RB

TPXD-C3000XG



Please note that the number of adjusting washers may not be the same as shown in the exploded views. (Adjustment will vary with each individual product.)

(51SF10E033X)

Part No.	Description	Part No.	Description	Part No.	Description
RD 0133	Anti-Reverse Pawl Spacer	RD15489	Drag Click Spring	RD17480	Screw
RD 0582	O Ring	RD15718	Screw	RD17481	Bail Trip Strike
RD 1524	Washer	RD16448	O Ring	RD17489	Main Shaft Assembly
RD 2110	Screw	RD16449	Roller Clutch Inner	RD17511	Bearing Water Proof
RD 2298	Spacer	RD16450	Roller Clutch Inner Spacer	RD17522	Worm Bushing (Front)
RD 4055	Screw	RD16451	Screw	RD17531	Oscillating Slider Bushing
RD 6008	Set Screw	RD16454	Pinion Gear Spacer	RD17542	Drag Knob
RD 7788	Spring Guide A Support	RD16456	Idle Gear B Shaft	RD17544	Rotor Nut
RD 8013	Screw	RD16460	Friction Ring Spacer	RD17553	Bearing Retainer
RD 8068	Spool Washer	RD16462	Flange Water Proof	RD17555	Idle Gear
RD 8388	Drag Washers Retainer	RD16465	Handle Shaft Seal	RD17562	Worm Shaft Retainer
RD 8916	Click Spring	RD16470	Oscillating Pawl Cover	RD17563	Worm Shaft
RD 9841	Click Pin	RD16473	Oscillating Pawl	RD17564	Oscillating Guide A
RD 9909	Eared Washer	RD16475	Rear Protector	RD17565	Oscillating Guide B
RD 9912	Bearing Retainer	RD16476	Rear Shield	RD17566	Idle Gear B S
RD10320	Ball Bearing	RD16477	Rear Protector Collar	RD18159	Spool Assembly
RD10341	Screw	RD16480	O Ring	RD18160	Bearing Spacer
RD11302	Ratchet Spring	RD16508	Idle Gear B L	RD18161	Line Roller(With Bearing)
RD11424	Ball Bearing	RD16592	Bail Spring Guide A	RD18162	Bail Arm
RD11547	Line Roller Support	RD16740	Drag Washer	RD18163	Rotor
RD11563	Worm Shaft Ring	RD16742	Drag Washer	RD18164	Bail Assembly
RD11569	Screw Washer	RD16757	Screw	RD18165	Rotor Ring
RD11607	Friction Ring	RD17024	Screw	RD18167	Roller Clutch Reinforce
RD12360	Washer	RD17052	Handle Screw Cap	RD18168	O Ring
RD13241	Ball Bearing	RD17054	Washer	RD18169	Roller Clutch Assembly
RD13269	Ball Bearing	RD17197	Screw	RD18170	Pinion Gear
RD13274	Ball Bearing	RD17267	Key Washer	RD18171	Drive Gear
RD13324	Worm Bushing	RD17457	Drag Click Ratchet	RD18172	Side Cover
RD13381	Ball Bearing	RD17458	Screw	RD18173	Handle Shaft Cover
RD13673	O Ring	RD17459	Rotor Nut Lock Plate	RD18174	Handle Shank Assembly
RD14237	Key Washer	RD17466	Bail Trip Lever	RD18175	Handle Knob
RD14242	Bearing Bushing	RD17467	Bail Spring	RD18176	Handle Knob Seal
RD14279	Washer	RD17468	Bail Spring Seat	RD18177	Handle Assembly
RD14778	Drag Click	RD17470	Bail Spring Guide A Bush	RD18178	Body
RD14780	Screw	RD17472	Screw	RD18200	Washer
RD14783	Spool Support	RD17473	Bail Hold Support Guard	RD18360	Screw