



Thank you for purchasing Leick Furniture products.  
Contact customer service for comments or concerns.

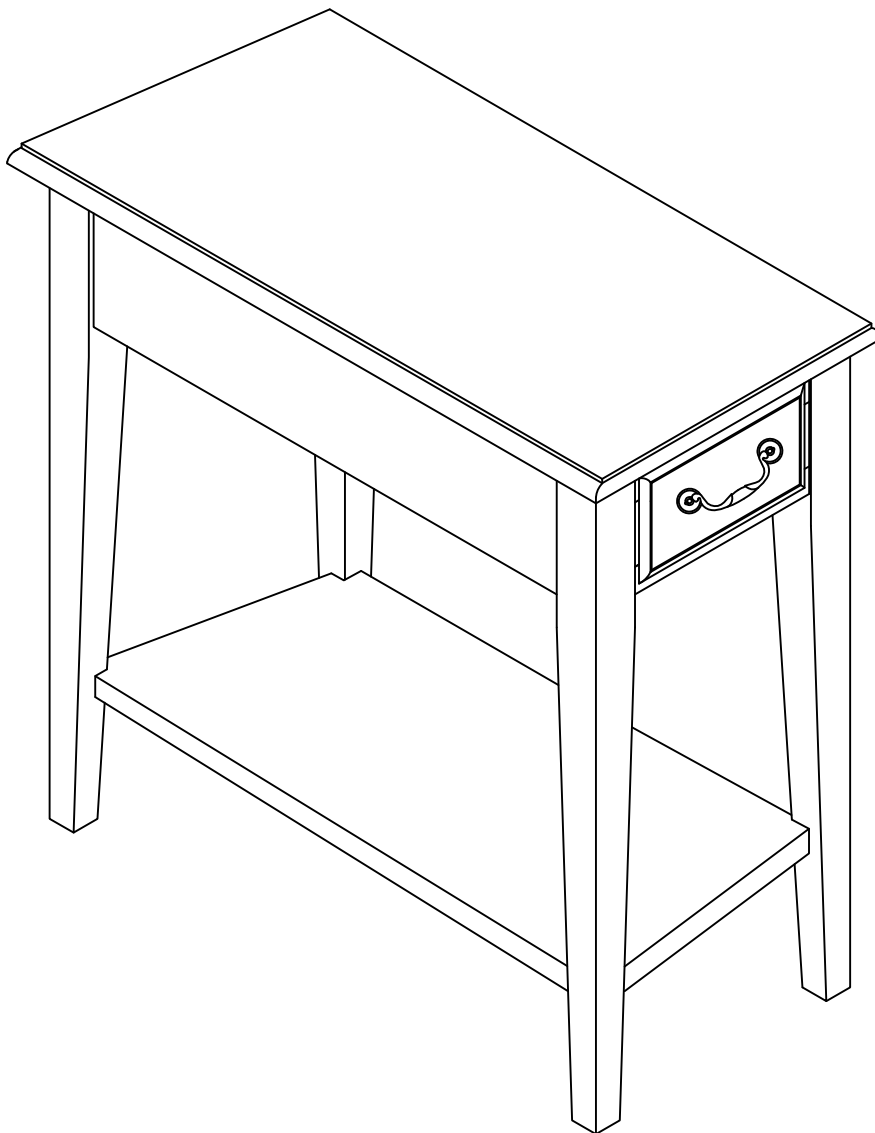
Sheboygan, WI

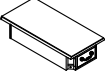
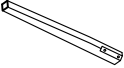




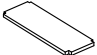


920-451-4060

info@leickfurnituresince1910.com

www.leickfurnituresince1910.com

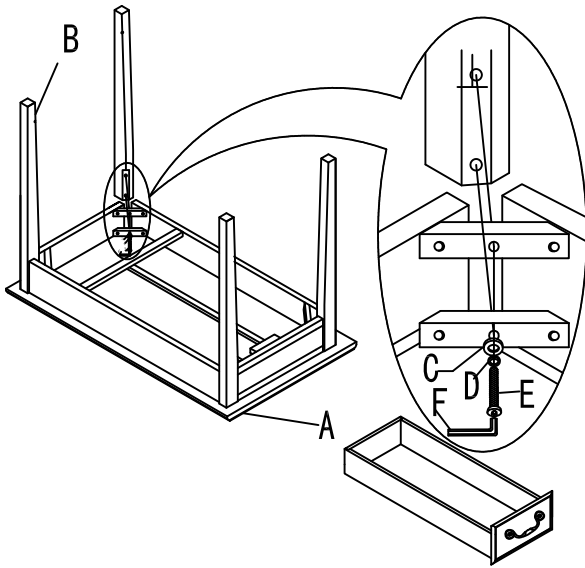
## Assembly Instructions, #9017 Side Table



A: Top Assembly	
B: (4) Legs	
C: (8) Flat washers	
D: (8) Lock Washers	
E: (8) Bolts	
F: Allen Wrench	
G: Shelf	
H: (4) Shelf Supports	
I : (2) Extra Drawer Glides	

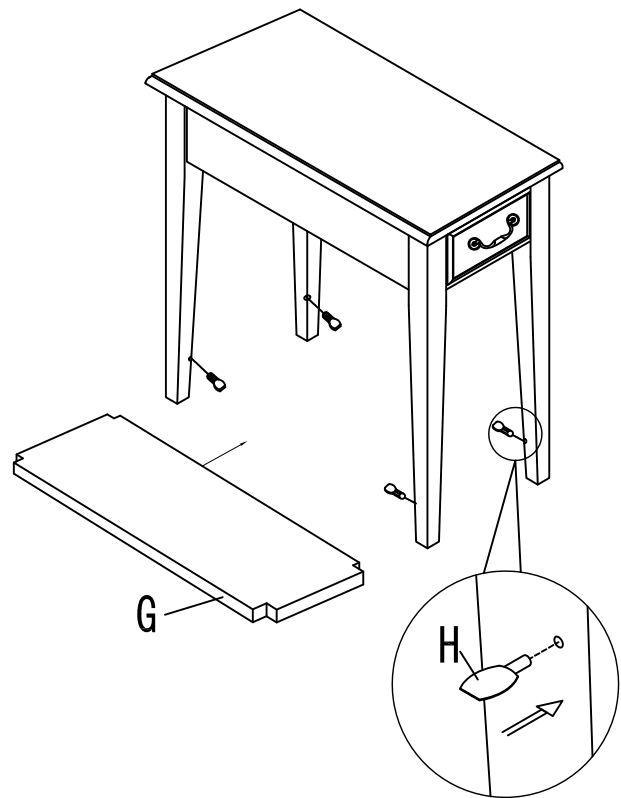
**Step 1**

Place the top assembly upside down. Fasten the legs with (8) bolts, flat washers and lock washers. Do not tighten yet.



**Step 2**

Place the table right side up and put the shelf on shelf supports.



**Step 3**

Now tighten the bolts in Step 1 and put the drawer back into the table.

