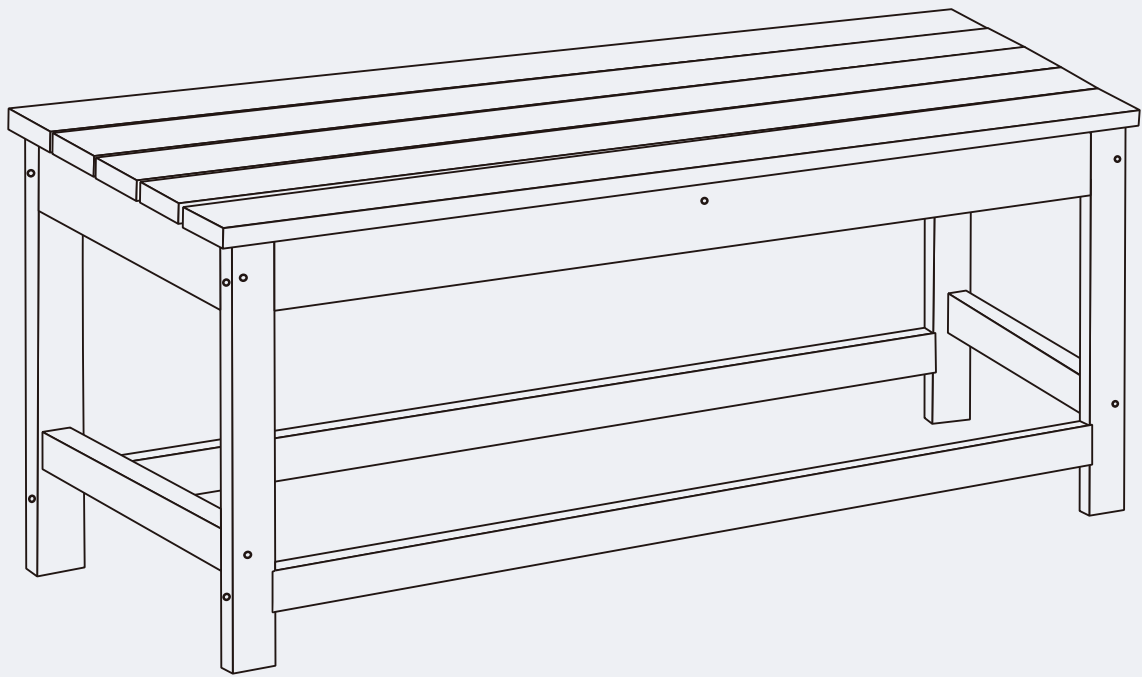


# INSTRUCTION MANUAL



Outdoor Poly Adirondack Coffee Table

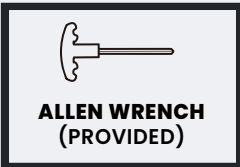
V1.0

## ! CARE & MAINTENANCE

### Do not overtighten screws. (Insert all screws before tighten screws.)

- Please do not exceed the weight limitations of this item.
- Do not stand on or use any part of this item as a step ladder.
- Firmly secure all bolts, screws and nuts before use.
- Reconfirm that all bolts, screws, and nuts are secure every 90 days.
- Do not use or store this item in the proximity of open flame or flammable/combustible chemicals.
- Avoid using strong power tool for avoiding to crack the PE board when assembling.

## TOOLS REQUIRED



**TABLE  
220 LBS  
CAPACITY**

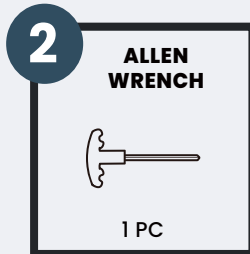
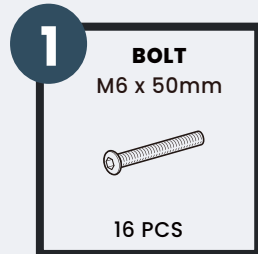


**1 PERSON  
ASSEMBLY**

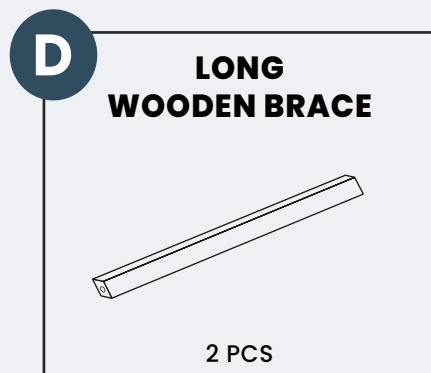
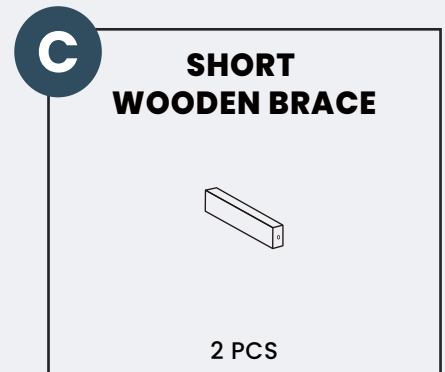
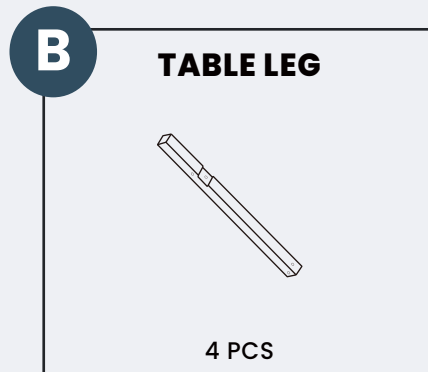
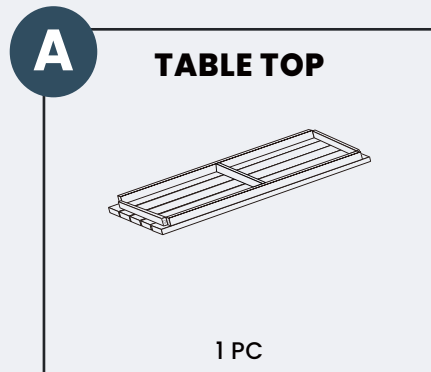


**UP TO 20 MIN.  
ASSEMBLY**

## HARDWARE



## PARTS



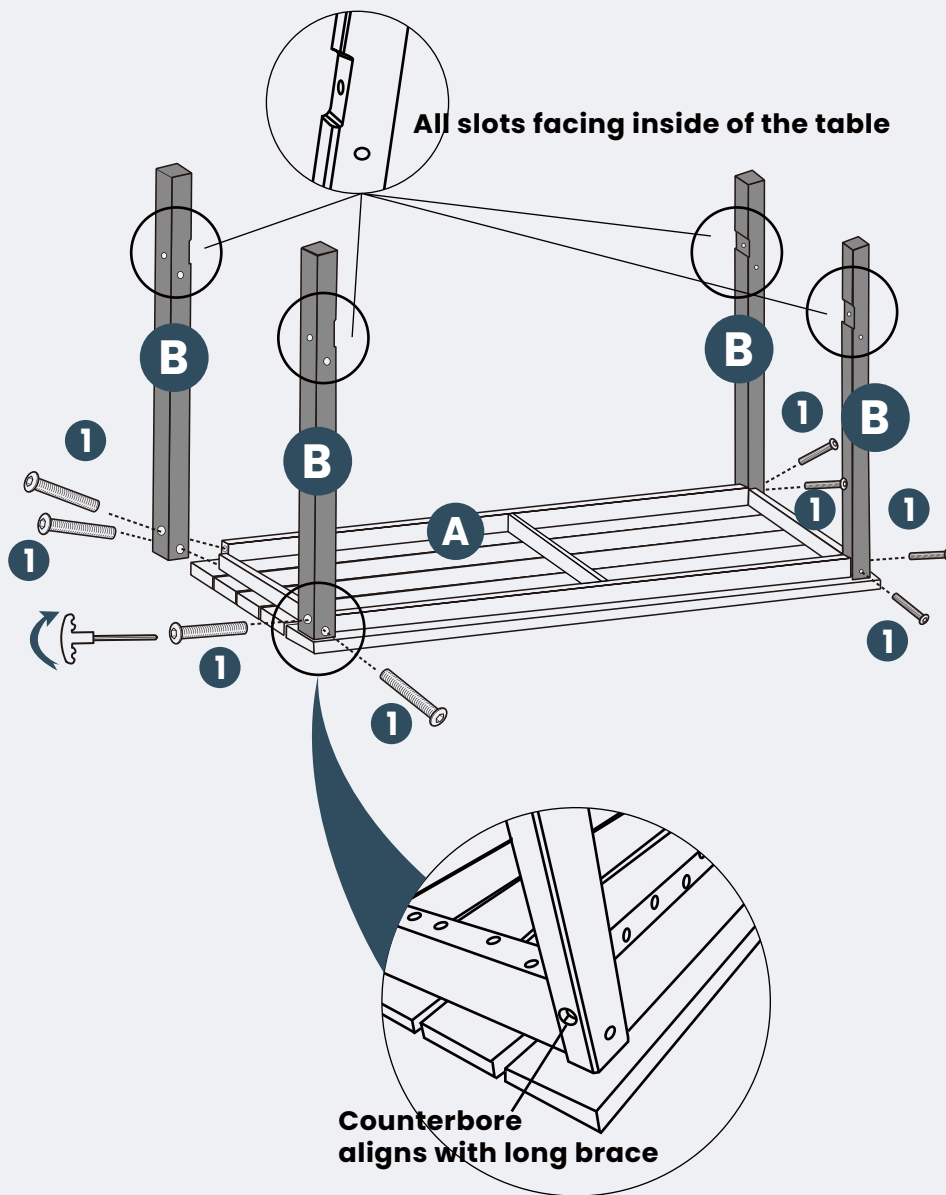
## PRODUCT ASSEMBLY

1

Attach 4 pcs of **Part B Table Leg** to **Part A Table Top** with 8 pcs of **Hardware #1 Bolt**.

Attention: Place the legs with the slot facing inside of the table, meanwhile make sure the counterbore is facing outside as below.

Do not tighten bolts too much at this stage.

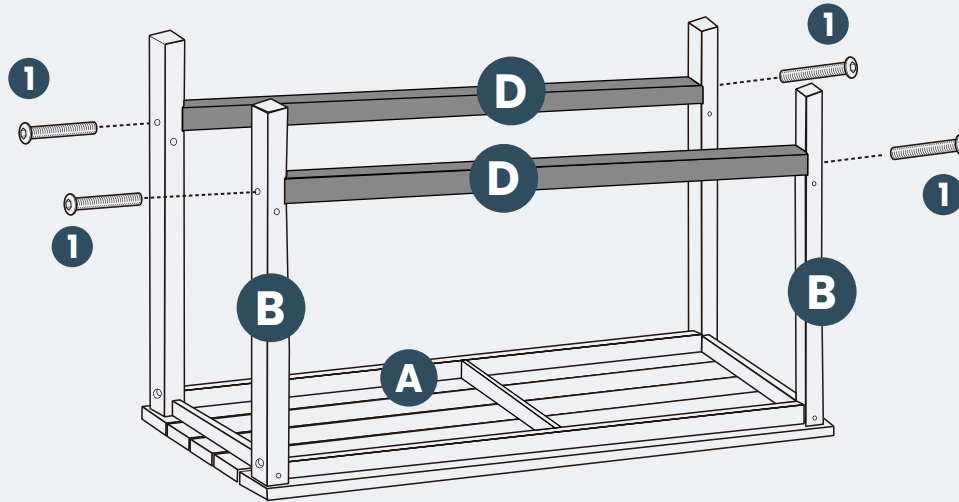


## PRODUCT ASSEMBLY

2

Place **Part D Long Wooden Brace** between **Part B Table Legs** and attach them with 2 pcs of **Hardware #1 Bolt**.

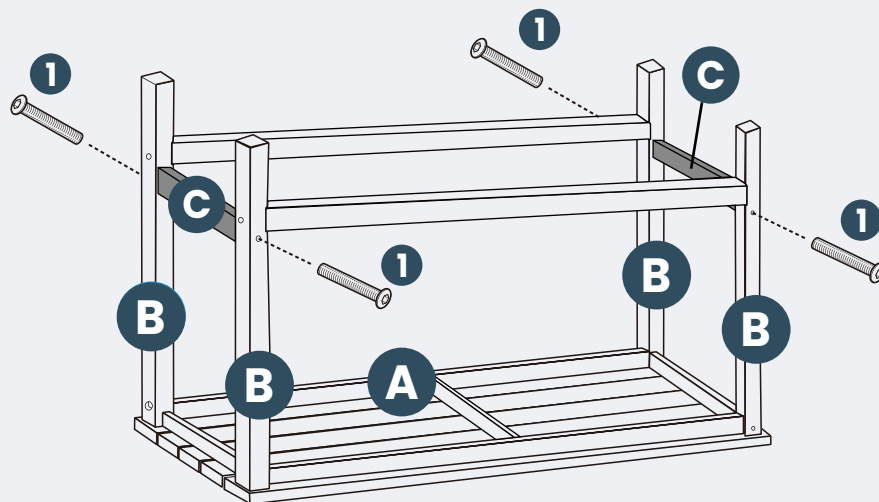
Do the same to attach **Part D Long Wooden Brace** to the other side.



3

Attach **Part C Short Wooden Brace** between **Part B Table Legs** at the side and attach them with 2 pcs of **Hardware #1 Bolt**.

Do the same to attach **Part D Long Wooden Brace** to the other side.

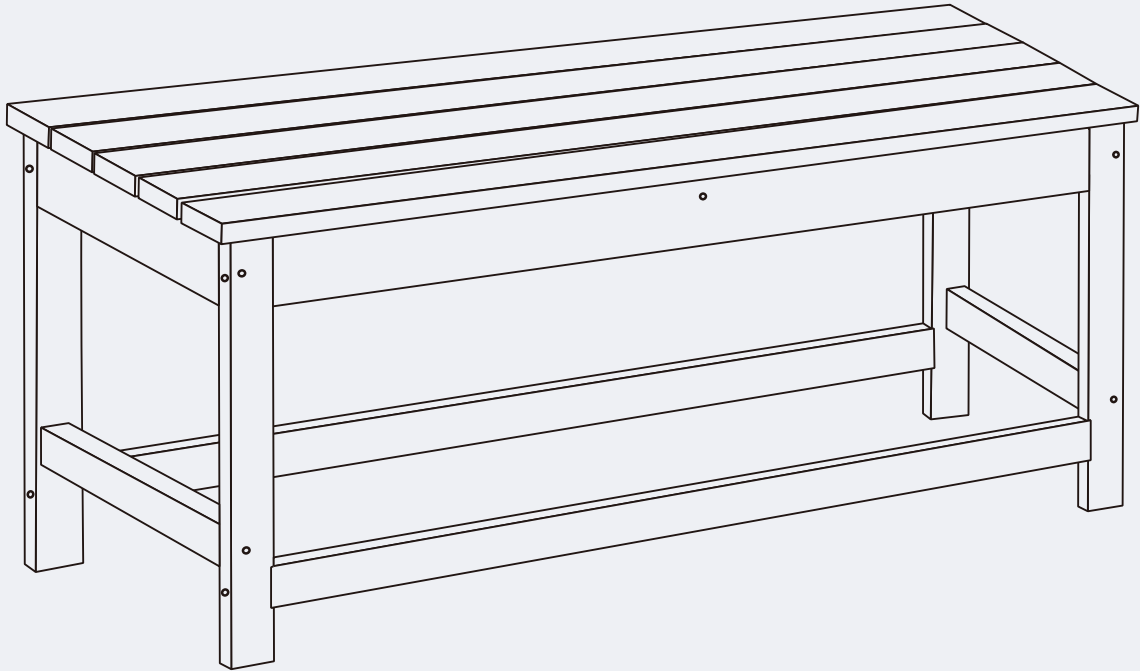


## PRODUCT ASSEMBLY

**4**

Tighten all the bolts again to ensure the steady of this table.

Place the table upside down to normal position and you can enjoy it now.



---

## CLEANING TIPS

**REGULAR CLEAN:** Use a mixture of warm water and mild soap. Gently scrub the surface with a soft bristle brush to remove any dirt or stains.

**QUICK CLEAN:** You can simply wipe down the furniture with a damp cloth.

Regular cleaning not only preserves the aesthetic appeal of your furniture, but also helps extend its lifespan.