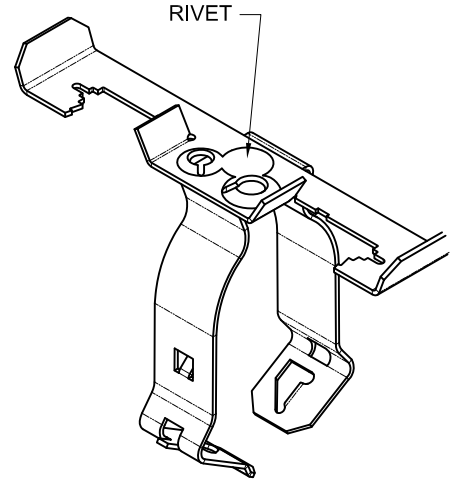
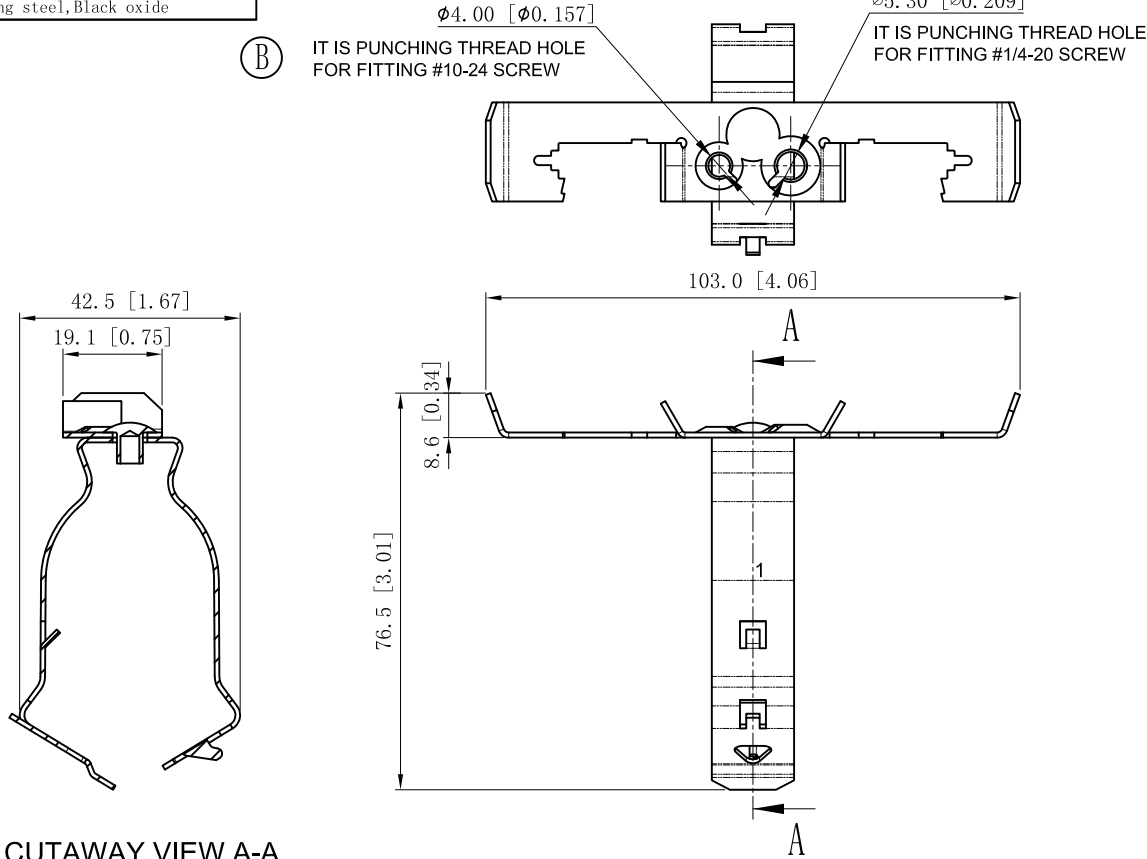


SIDES	BOTTOM
Material: Steel-0.035"-C1065 spring steel, Black oxide	



CUTAWAY VIEW A-A

This data sheet is for reference only .GARVIN INDUSTRIES reserves the right to make changes to the design without prior notice.

DESCRIPTION
TRADE REFERENCE TERMS

STANDARD PACKING
50 PCS

<b>GARVIN INDUSTRIES</b>		
TITLE COUDUIT HANGERS		
SIZE A4	DWG NO. APSKC1	REV B
DATA SHEET		