



Project _____
 Item # _____
 Quantity _____

Premiere Popcorn Machines and Pedestal

Models: 11048, 11068, and 30080

"Premiere" flavorful popped corn in big-screen style. Bring the movie theater experience to your home or business with this commercial grade popper. It is available in either a 4 ounce or 6 ounce kettle to meet your needs. The optional pedestal base has a two shelf storage compartment for all of your popcorn supplies. Convenient casters allow the popper and pedestal combination to be moved easily.

Standard Features

- ◆ Easy to use, simple two-switch operation
- ◆ Interior merchandising lighting (bulb included)
- ◆ Old-maid drawer catches unpopped kernels
- ◆ Stainless steel food-zone for easy cleaning
- ◆ Thick 20 mil non-stick coated popping kettle
- ◆ Tempered glass panels on front and side
- ◆ Clear removable plexiglass doors at rear
- ◆ Non-slip rubber feet
- ◆ One year parts and labor warranty



Front



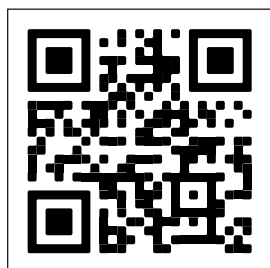
Rear

11048 - 4oz
 11068 - 6oz



Accessories and Options

| | |
|-------|---|
| 30080 | Pedestal Base for Premiere Popcorn Machines |
| 42030 | Aluminum Speed Scoop |
| 42020 | Plastic Popcorn Scoop -16 oz |
| 40004 | 4 oz Popcorn Portion Packs - 24 packs/case |
| 40006 | 6 oz Popcorn Portion Packs - 24 packs/case |



Visit www.wincous.com for Popcorn Supplies



30080 Pedestal Base with 11068 Popcorn Machine

For California Customers

WARNING: Cancer and Reproductive Harm - www.P65Warnings.ca.gov

Winco® | Division of The Foodware Group™

www.wincous.com

New Jersey Headquarters & Distribution Center
 65 Industrial Road, Lodi, NJ 07644
 Phone: 1-888-946-2682 | Fax: 1-973-916-9959

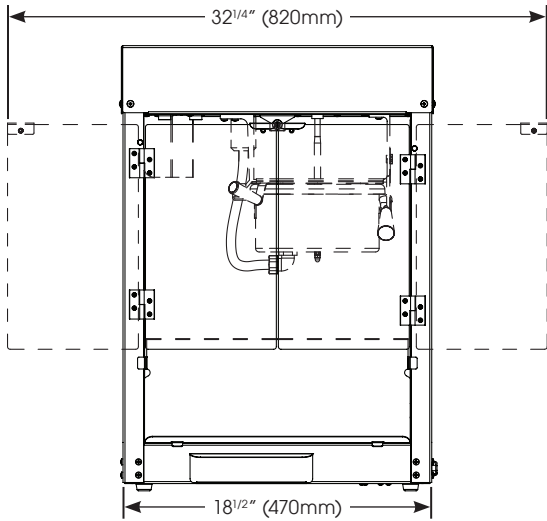
Florida Showroom & Distribution Center
 10800 NW 103rd St. Bldg 22, Ste 11, Miami, FL 33178
 Phone: 1-888-946-2682 | Fax: 1-973-916-9959

Nevada Distribution Center
 3777 Marion Drive, Las Vegas, NV 89115
 Phone: 1-888-946-2682 | Fax: 1-973-916-9959

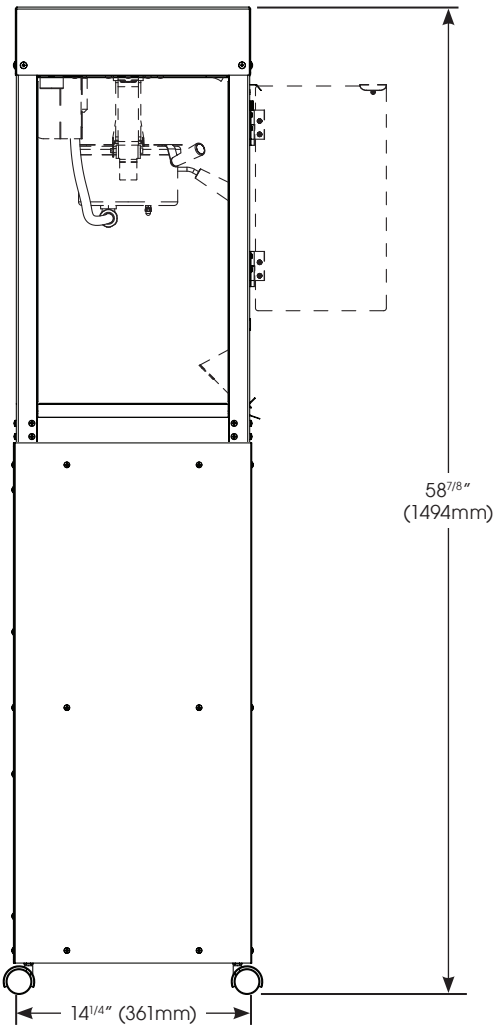
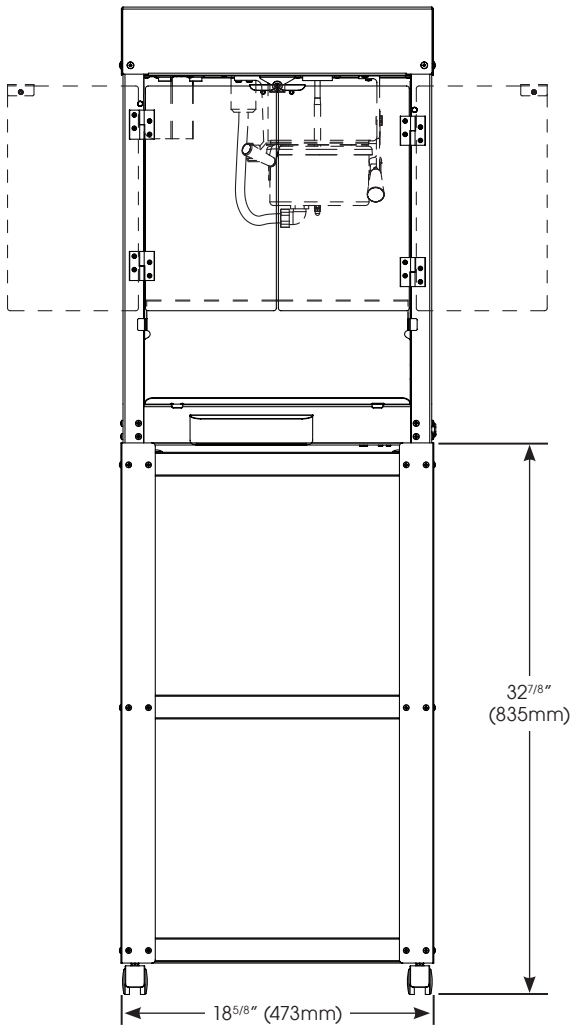
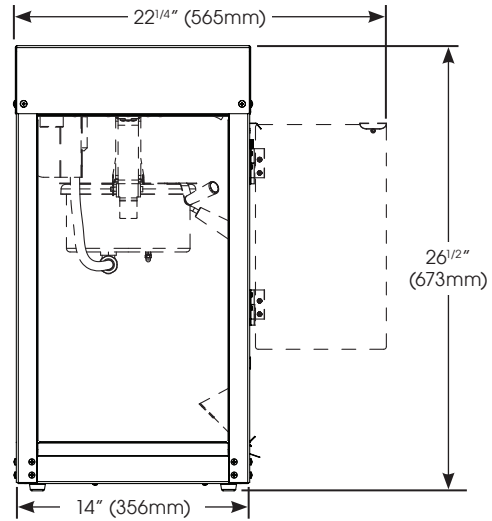


Premiere Popcorn Machines and Pedestal
 Models: 11048, 11068, and 30080

BACK VIEW



SIDE VIEW



Winco® | Division of The Foodware Group™

www.wincous.com

New Jersey Headquarters & Distribution Center
 65 Industrial Road, Lodi, NJ 07644
 Phone: 1-888-946-2682 | Fax: 1-973-916-9959

Florida Showroom & Distribution Center
 10800 NW 103rd St. Bldg 22, Ste 11, Miami, FL 33178
 Phone: 1-888-946-2682 | Fax: 1-973-916-9959

Nevada Distribution Center
 3777 Marion Drive, Las Vegas, NV 89115
 Phone: 1-888-946-2682 | Fax: 1-973-916-9959

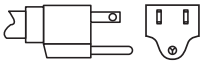


Premiere Popcorn Machines and Pedestal
Models: 11048, 11068, and 30080

| MODEL | DESCRIPTION | OVERALL DIMENSIONS | | | VOLTS | HZ | WATTS | AMPS | PLUG | SHIP WEIGHT |
|-------|---------------|--------------------|------------------|------------------|-------|-------|--------|-------|------------|--------------------|
| | | LENGTH | DEPTH | HEIGHT | | | | | | |
| 11048 | 4 oz Kettle | 18-1/2" 470mm | 14" 356mm | 26-1/2" 673mm | 120 V | 60 Hz | 940 W | 7.8 A | NEMA 5-15P | 49 lbs (22.3kg) |
| 11068 | 6 oz Kettle | | | | 120 V | 60 Hz | 1140 W | 9.5 A | NEMA 5-15P | 50 lbs (22.7kg) |
| 30080 | Pedestal Base | 18-5/8" 473mm | 14-1/4" 361mm | 32-7/8" 835mm | | | | | | 48.5 lbs (22kg) |

Plug Configurations

NEMA 5-15P



Cord Location

Back left side or operator's side right

Bulb Type

50 Watt R20

Product Specs

Premiere Popcorn Machines

The Benchmark USA™, Premiere Popcorn Machines models 11048 and 11068 as manufactured by Winco®, Lodi, NJ 07644

The Premiere Popcorn Machine model 11048 shall have a 4 oz kettle capacity be rated at 940W, 120V-60Hz and model 11068 shall have a 6 oz kettle capacity be rated at 1140W, 120V-60Hz. Kettles are constructed with a thick 20 mil non-stick coating. All units shall be supplied with a NEMA 5-15P plug.

Units cabinet shall be constructed of a stainless steel, aluminum, powder coated painted accent panels with tempered glass panels on front and side and clear plexiglass doors at rear. Units are supplied with easy to use, simple two-switch operation, interior merchandising lighting (bulb included), old-maid drawer to catch unpopped kernels.

CE certified and ETL listed for safety (Canada & US) and sanitation.

Warranty consists of one year parts and labor.