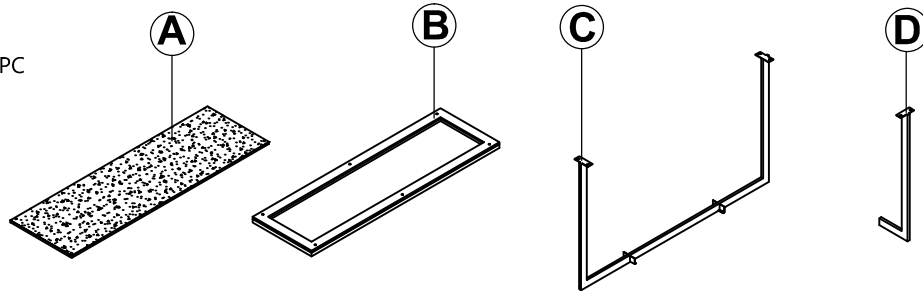


# ELIZA CONSOLE TABLE ASSEMBLY INSTRUCTIONS



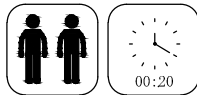
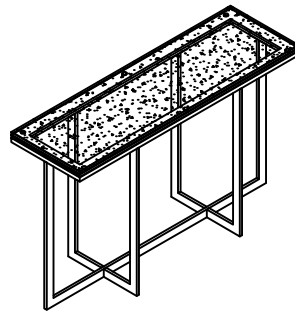
## PARTS PACKING CONFIGURATIONS

- A. GLASS TOP 1 PC
- B. TOP FRAME 1 PC
- C. BOTTOM FRAME 1 PC
- D. LEG 4 PCS

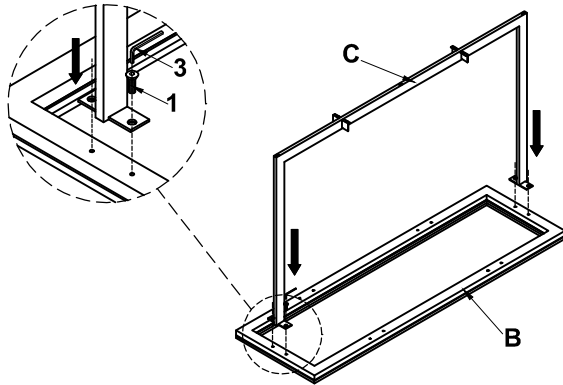


### HARDWARE ENCLOSED IN CARTON

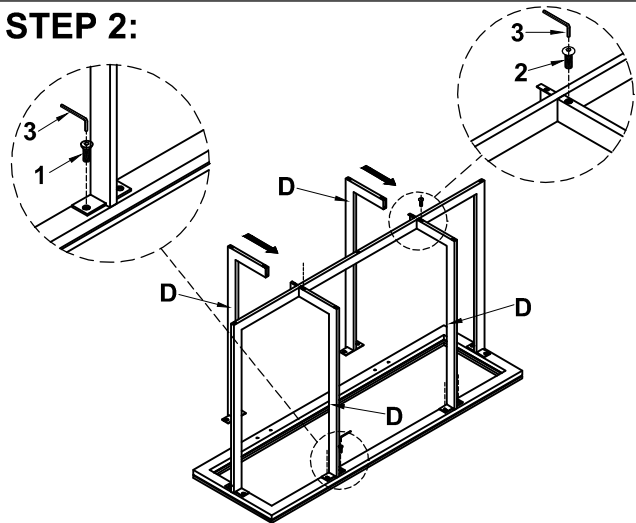
No	Description	Photo	Quantity
1	ALLEN BOLT (1/4 x 1/2)		12 PCS
2	ALLEN BOLT (1/4 x 1/2)		4 PCS
3	ALLEN KEY		1 PC
4	PLASTIC BUMPER		6 PCS



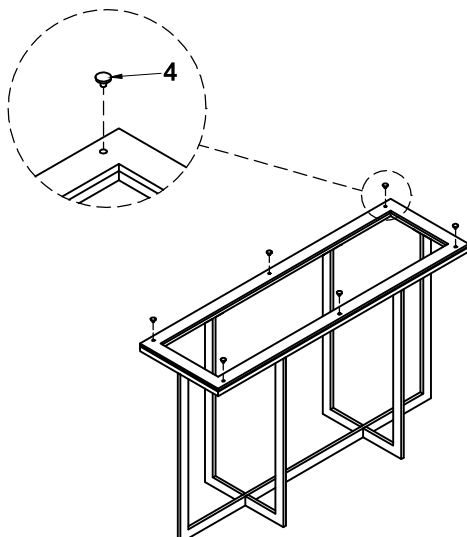
### STEP 1:



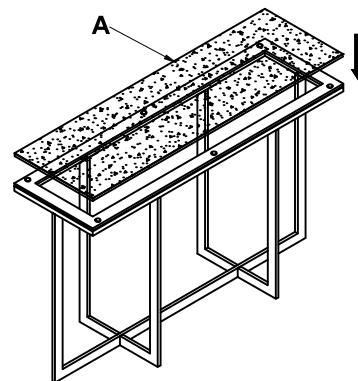
### STEP 2:



### STEP 3:



### STEP 4:



FULLY ASSEMBLED