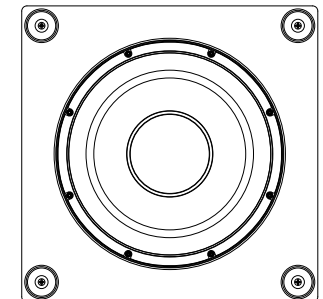
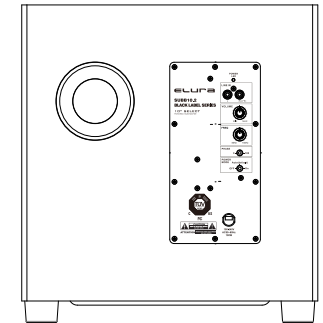
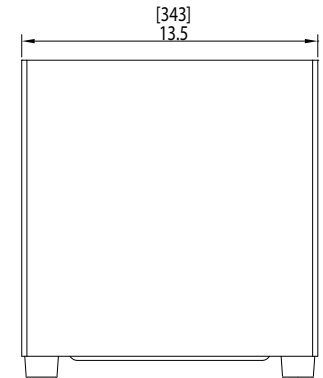
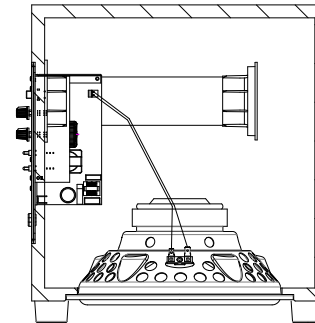
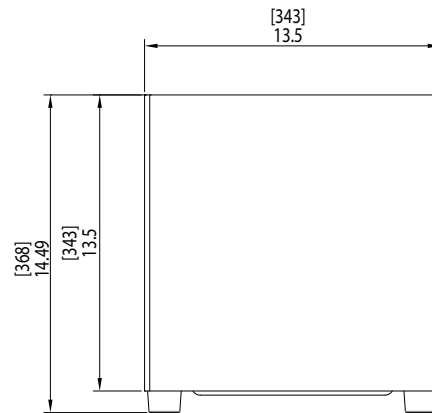


SUBB10.2



SPEAKER SPECIFICATIONS

SUBB10.2

Speaker Type: Powered 10" Vented Subwoofer

Woofer: 10" Polypropylene Cone with Rubber Surround Power: 175 watts

Impedance: 8 ohms Freq. Response: 30-150 Hz

Voice Coil: 1.5" Copper-Wound Phase: 0-180°

Overall Dimensions: 14.5" (368mm) x 13.5" (343mm) x 13.5" (343mm)

ELURA

SOUND + PERFORMANCE