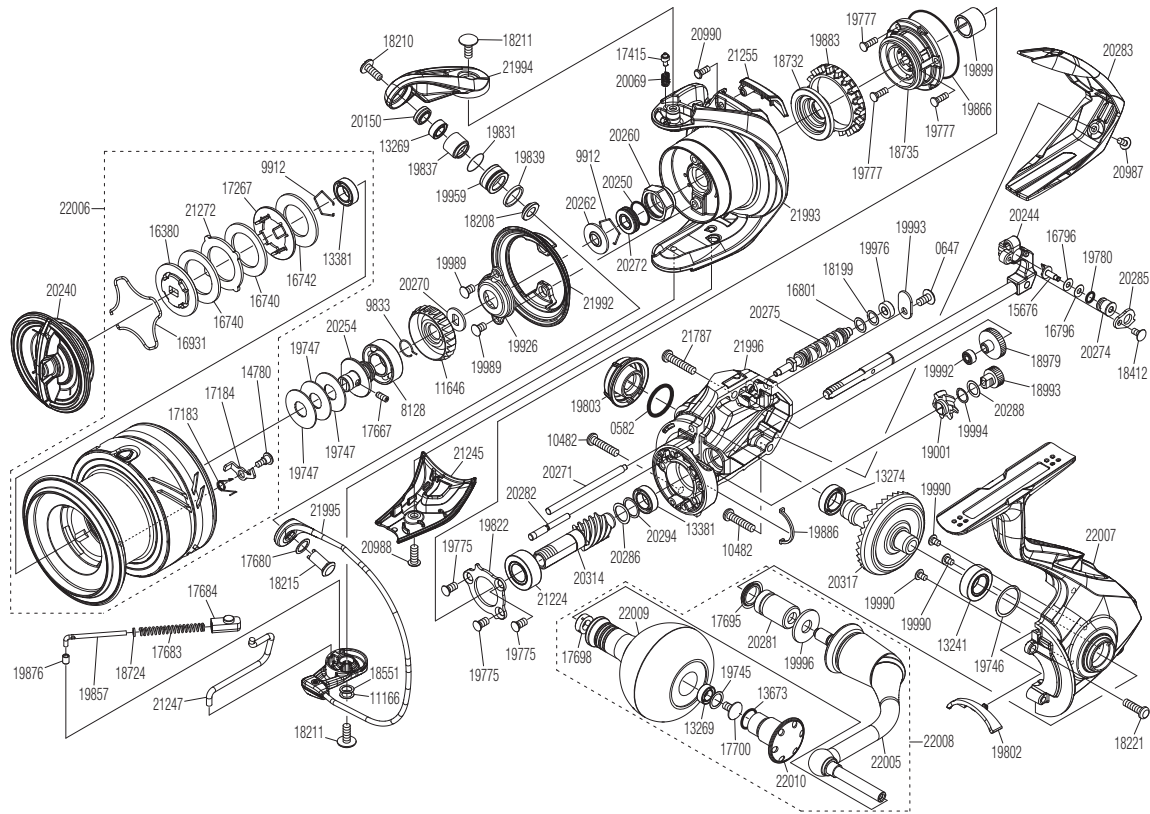


SHIMANO

SUSTAIN

SA-C5000XG



Please note that the number of adjusting washers may not always be the same as shown in the exploded views.

(51SF46H049X)

Please note that your actions take full responsibility when you take it apart.

Part No.	Description	Part No.	Description	Part No.	Description
RD 0582	O Ring	RD18732	Rotor Ring	RD20271	Oscillating Guide A
RD 0647	Screw	RD18735	Roller Clutch Assembly	RD20272	Main Shaft Collar
RD 8128	Ball Bearing	RD18979	Idle Gear	RD20274	Oscillating Slider Bushing
RD 9833	Ratchet Spring	RD18993	Idle Gear (Small)	RD20275	Worm Shaft
RD 9912	Bearing Retainer	RD19001	Idle Gear (Large)	RD20281	Handle Shaft Cover
RD10482	Screw	RD19745	Washer	RD20282	Idle Gear Shaft
RD11166	Spacer	RD19746	Washer	RD20283	Rear Protector
RD11646	Drag Click Ratchet	RD19747	Spool Washer	RD20285	Oscillating Pawl Cover
RD13241	Ball Bearing	RD19775	Screw	RD20286	Washer
RD13269	Ball Bearing	RD19777	Screw	RD20288	Spacer
RD13274	Ball Bearing	RD19780	O Ring	RD20294	Washer
RD13381	Ball Bearing	RD19802	Bail Trip Strike	RD20314	Pinion Gear
RD13673	O Ring	RD19803	Handle Screw Cap	RD20317	Drive Gear
RD14780	Screw	RD19822	Bearing Retainer	RD20987	Screw
RD15676	Oscillating Pawl	RD19831	O Ring	RD20988	Screw
RD16380	Key Washer B	RD19837	Bushing	RD20990	Screw
RD16740	Drag Washer A	RD19839	Spacer	RD21224	Ball Bearing
RD16742	Drag Washer B	RD19857	Bail Spring Guide A	RD21245	Bail Hold Support Guard
RD16796	Spacer	RD19866	O Ring	RD21247	Bail Trip Lever
RD16801	Washer	RD19876	Bail Spring Guide A Bushing	RD21255	Counter Weight Cover
RD16931	Retainer	RD19883	Friction Ring	RD21272	Eared Washer
RD17183	Drag Click Spring	RD19886	Flange Water Proof	RD21787	Screw
RD17184	Drag Click	RD19899	Roller Clutch Inner	RD21992	Rotor Brim
RD17267	Key Washer	RD19926	Nut Lock Plate	RD21993	Rotor Assembly
RD17415	Click Pin	RD19959	Line Roller	RD21994	Bail Arm
RD17667	Set Screw	RD19976	Bushing	RD21995	Bail Assembly
RD17680	Washer	RD19989	Screw	RD21996	Body
RD17683	Bail Spring	RD19990	Screw	RD22005	Handle Shank Assembly
RD17684	Bail Spring Guide B	RD19992	Bushing	RD22006	Spool Assembly
RD17695	Handle Shaft Seal	RD19993	Worm Shaft Retainer	RD22007	Side Cover Assembly
RD17698	Bushing	RD19994	Washer	RD22008	Handle Assembly
RD17700	Screw	RD19996	Washer	RD22009	Handle Knob Assembly
RD18199	Spacer	RD20069	Click Spring	RD22010	Handle Knob Seal
RD18208	Bearing Spacer	RD20150	Collar		
RD18210	Screw	RD20240	Drag Knob Assembly		
RD18211	Screw	RD20244	Main Shaft Assembly		
RD18215	Line Roller Support	RD20250	O Ring		
RD18221	Screw	RD20254	Spool Bearing Bushing		
RD18412	Screw	RD20260	Rotor Nut		
RD18551	Washer	RD20262	Bearing Water Proof		
RD18724	Spring Guide A Collar	RD20270	Spool Support	RD18054	Anti Line Slip Sticker