



Sheboygan, WI

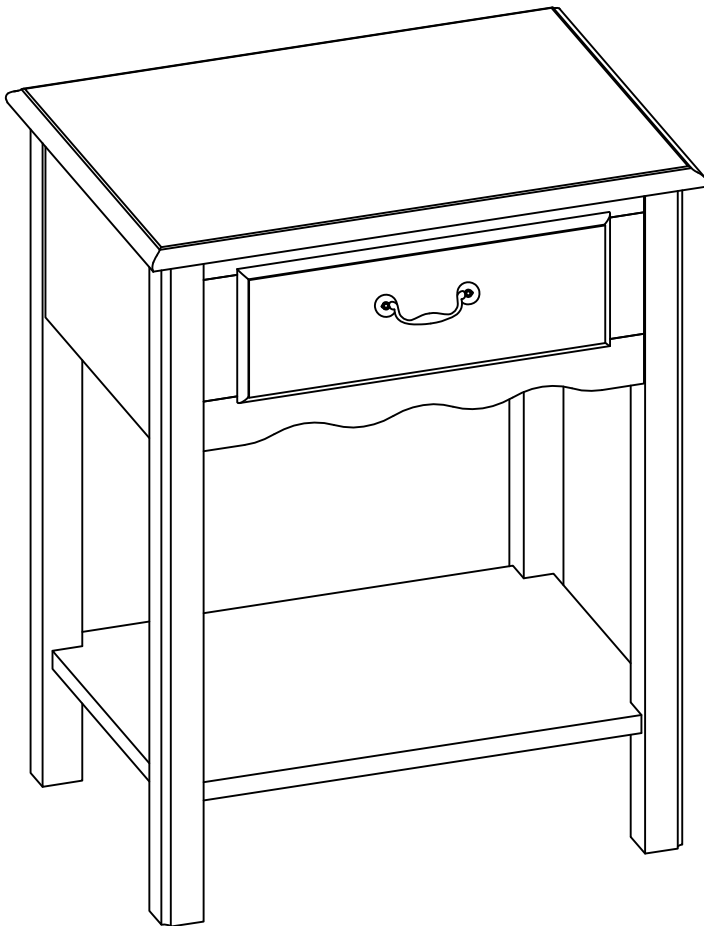
920-451-4060



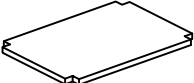



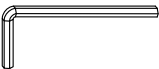
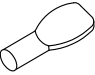
info@leickhome.com

www.leickhome.com

Thank you for purchasing Leick Furniture products.
Contact customer service for comments or concerns.

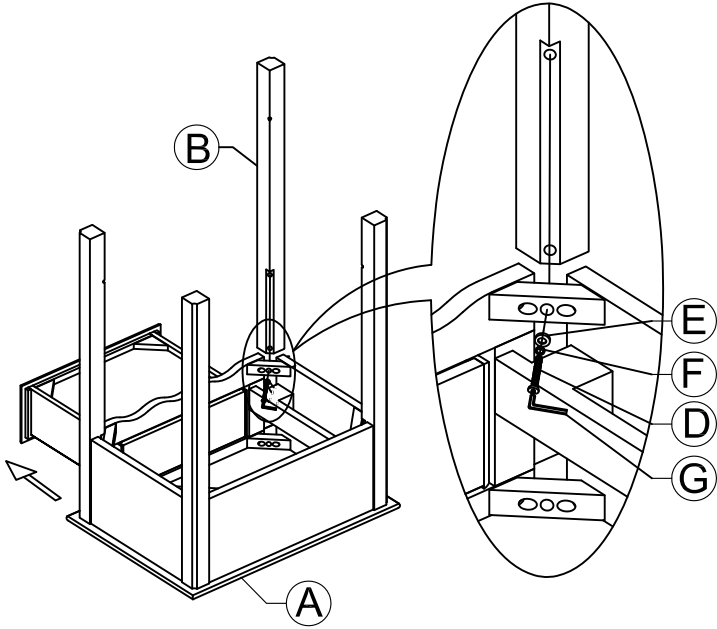
Assembly Instructions, #9067 Shaker Side Table



A: Top Assembly	
B: (4) Legs	
C: Shelf	
D: (8) Bolts	
E: (8) Flat Washers	
F: (8) Lock Washers	
G: Allen Wrench	
H: (4) Shelf Supports	

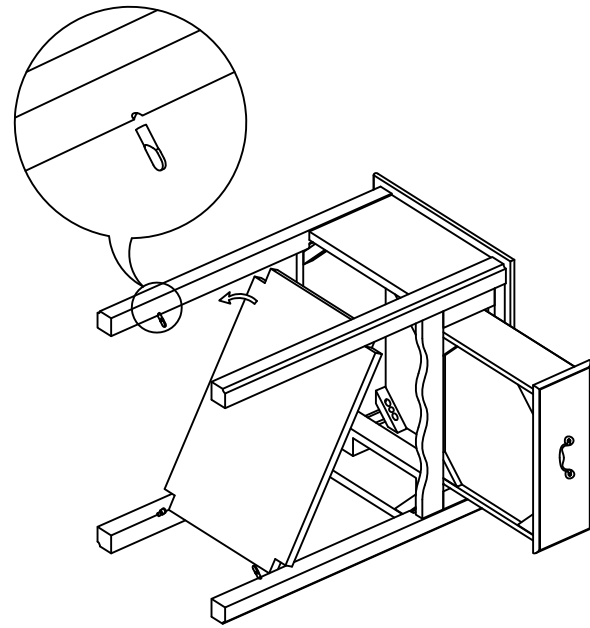
Step 1

Open drawer and place the top assembly upside down. Attach four legs with (D, F, and E) parts. Do not tighten.



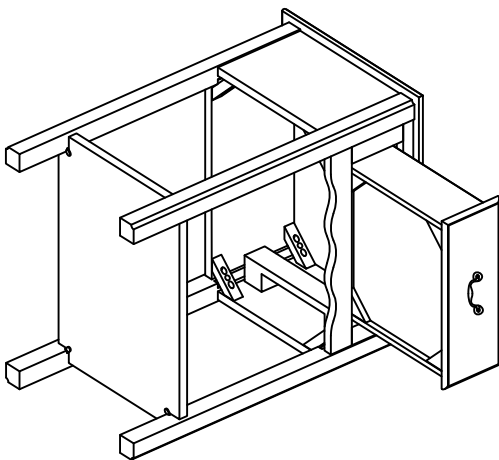
Step 2

Lay down the table on the side. Insert all four shelf supports into legs. Then put the shelf into the table on shelf supports.



Step 3

Tighten all bolts in step 1.



Step 4

Put the table right side up. Tap the shelf to the shelf supports and close the drawer.

