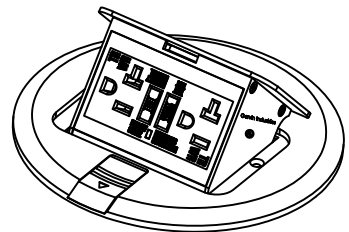
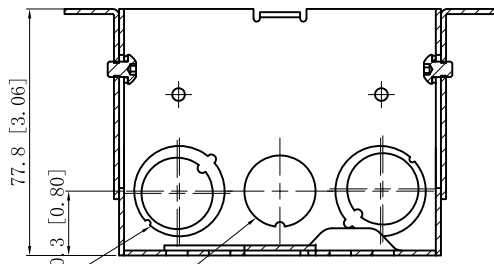


SIDES	BOTTOM
2 PCS 10-32×1/4 Screws Installed	
2 pcs No.10 spring lock washers Installed	
1 pcs #10-32 Allen wrench hex key	
Material:Steel-0.0625"-G60 Galvanized	



4 1/2"-3/4" KNOCKOUTS $\phi=22.50 [\phi=0.886]$
 $\phi=28.50 [\phi=1.122]$

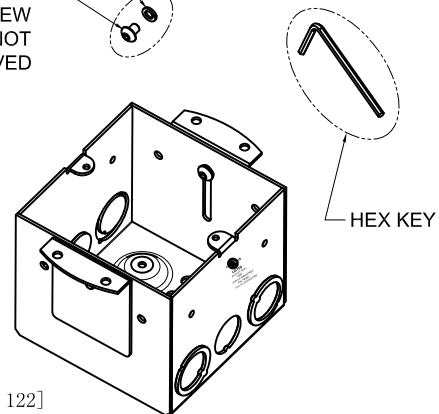
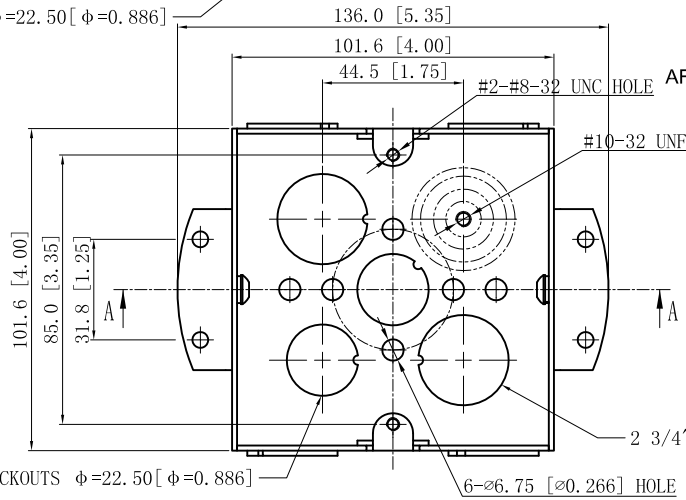
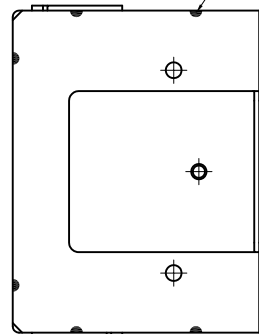
CUTAWAY VIEW A-A

NO.10 LOCK WASHERS, ×2

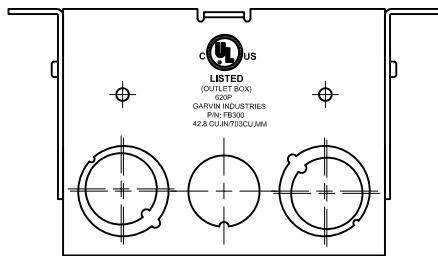
#10-32 UNF, ×2
 "PINCH" END OF SCREW
 AFTER INSTALL SO IT CANNOT
 BE EASILY REMOVED

2 1/2" KNOCKOUTS $\phi=22.50 [\phi=0.886]$

12 PLACES SPOT WELDING



2 1/2" KNOCKOUTS $\phi=22.50 [\phi=0.886]$



This data sheet is for reference only .GARVIN INDUSTRIES reserves the right to make changes to the design without prior notice.

DESCRIPTION
TRADE REFERENCE TERMS

STANDARD PACKING	GARVIN INDUSTRIES		
	4" SQUARE BOXES		
SIZE	TITLE	FBCVSS-GTR-KIT	
	A4	DWG NO.	DATA SHEET
www.garvinindustries.com			