

88 5022 26

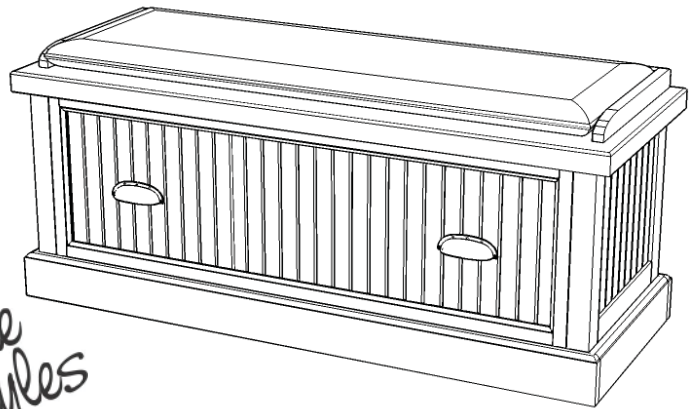
# Nantucket Upholstered Bench

## IMPORTANT NOTE

Carefully remove all the parts from the carton and put them individually on a soft cloth to prevent scratches or other damages occurring to the parts.

We have taken great care in the design of this product and request that you carefully and strictly follow our assembly instructions to ensure a completed product as it was designed.

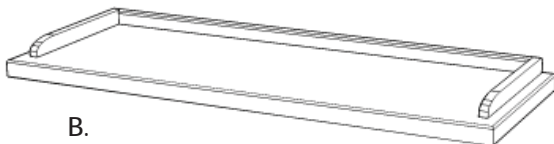
Home Styles



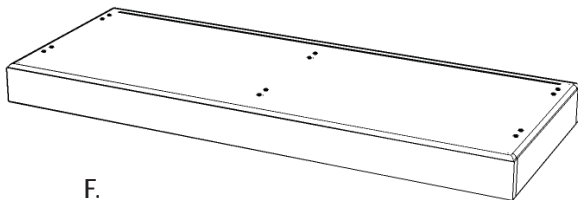
## Part List



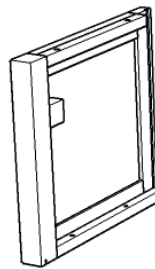
A.  
Cushion  
1 Pc.



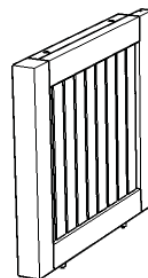
B.  
Top  
1 Pc.



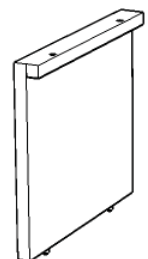
F.  
Base  
1 Pc.



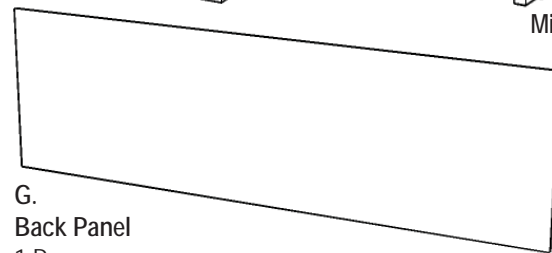
C.  
Side Panel  
1 Pc.



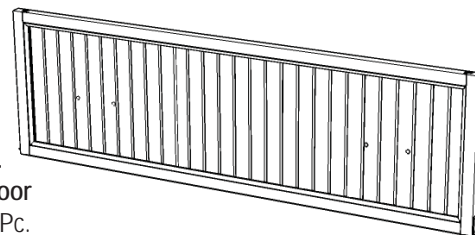
D.  
Side Panel  
1 Pc.



E.  
Middle Panel  
1 Pc.

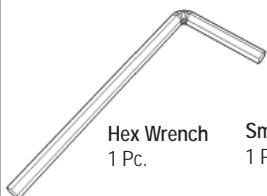


G.  
Back Panel  
1 Pc.

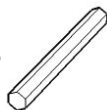


H.  
Door  
1 Pc.

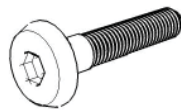
## Hardware List



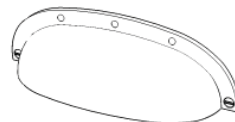
Hex Wrench  
1 Pc.



Small Hex Wrench  
1 Pc.



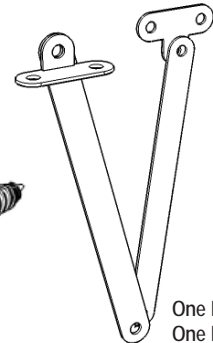
Head Cap Bolt  
12 Pcs.(+1 extra)



Pull Handle  
2 Pcs.



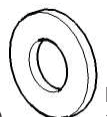
Machine Screw  
4 Pcs.



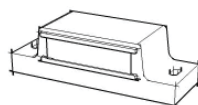
One Left Hinge  
One Right Hinge  
2 Pcs.



Spring Washer  
12 Pcs.(+1 extra)



Flat Washer  
12 Pcs.(+1 extra)



Magnet  
2 Pcs.



Wood Screw  
(for Magnet)  
4 Pcs.(+1 extra)



Wood Screw  
(for Hinge)  
8 Pcs.(+1 extra)

Tools required for assembly : Phillips screwdriver

Tools recommended for assembly : Level

Home Styles Consumer Assistance: [www.homestyles-furniture.com](http://www.homestyles-furniture.com),  
[servicedesk@homestyles-furniture.com](mailto:servicedesk@homestyles-furniture.com), 888-680-7460, 877-831-0319

## IMPORTANT

- \* Please keep Hex Wrench in a safe place as you may need to tighten up the Head Cap Bolts in the future.
- \* Do not tighten up all the Head Cap Bolts until each part is properly assembled.
- \* Use a soft cloth between these parts and the floor.

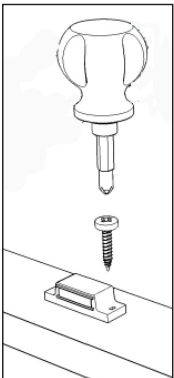


Figure 1

## STEP 1

Place Top (B) upside down on a soft cloth.

Attach Magnets to Top (B) at the pre-drilled holes of Top (B) with Wood Screws (for Magnet). (see Figure 1)

Attach Side Panels (C) and (D) and Middle Panel (E) to Top (B) with Head Cap Bolts, Spring Washers and Flat Washers.

Tighten all Head Cap Bolts only half way.

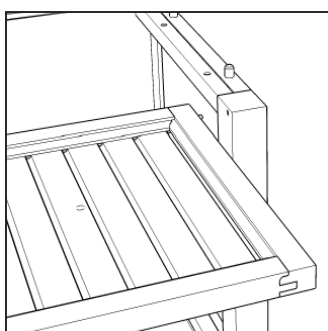
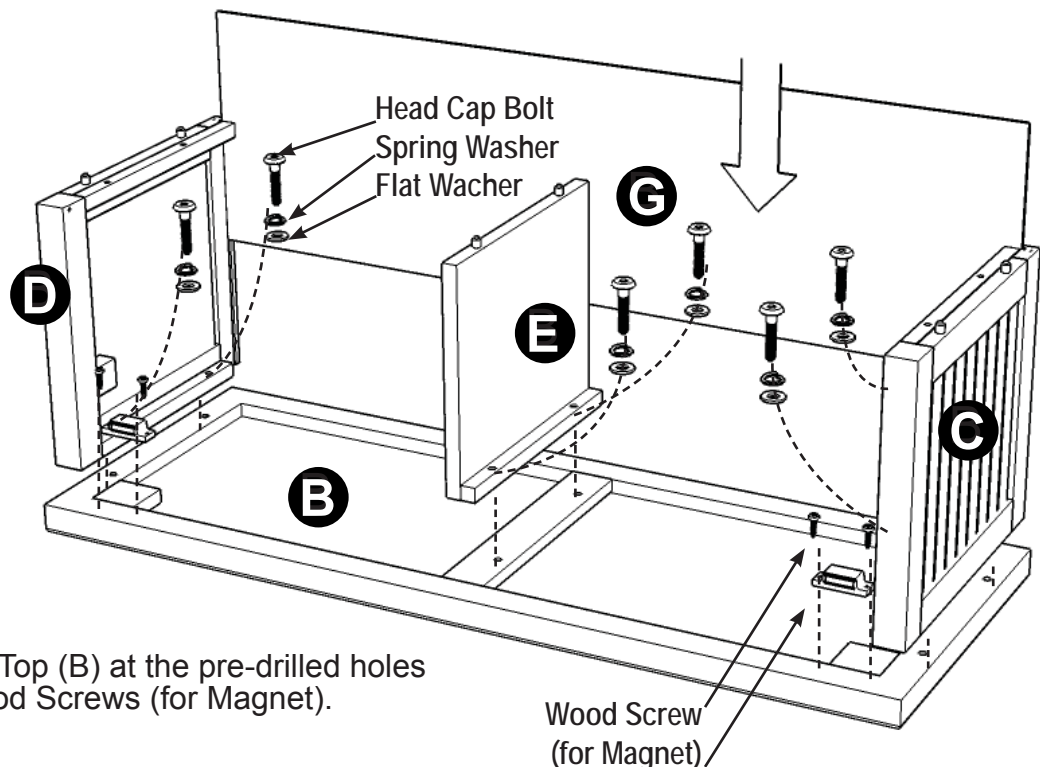


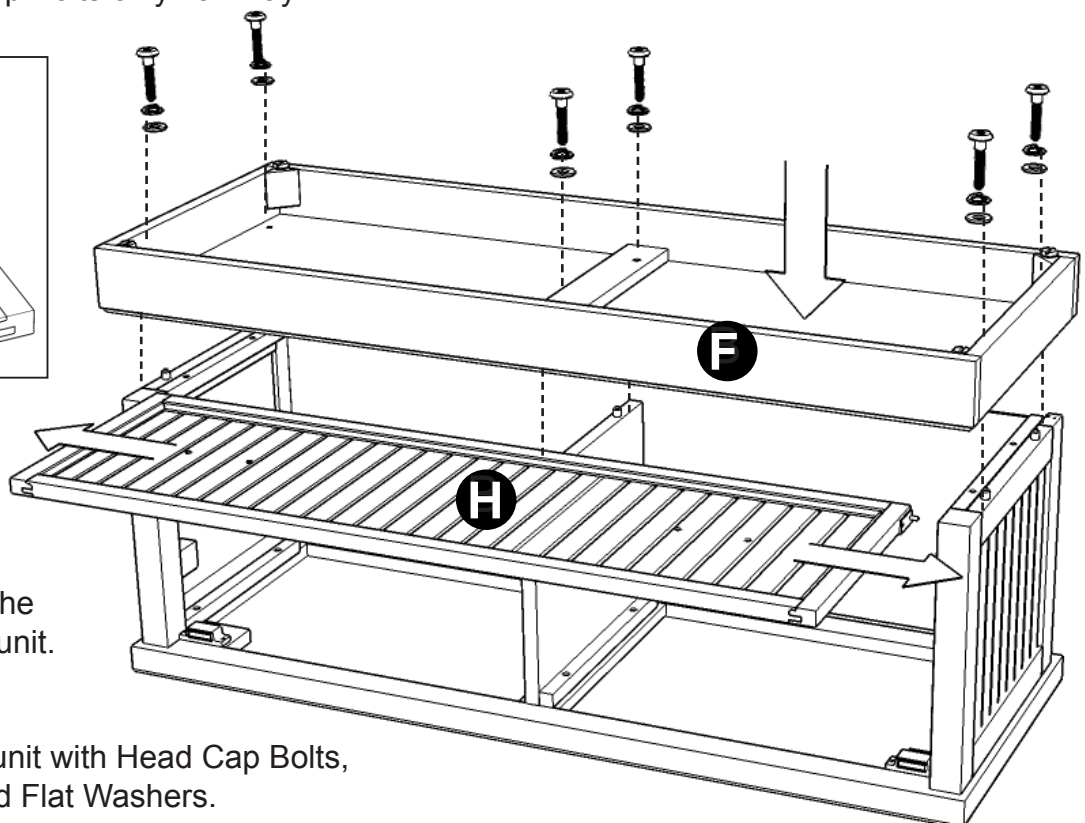
Figure 2

## STEP 2

Attach Door (H) to the pre-drilled holes of unit. (see Figure 2)

Attach Base (F) to unit with Head Cap Bolts, Spring Washers and Flat Washers.

Tighten all Head Cap Bolts.



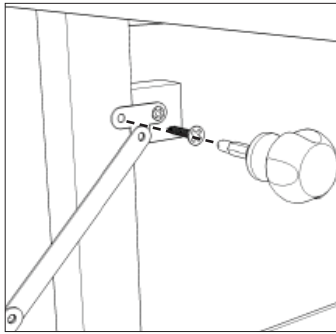


Figure 3

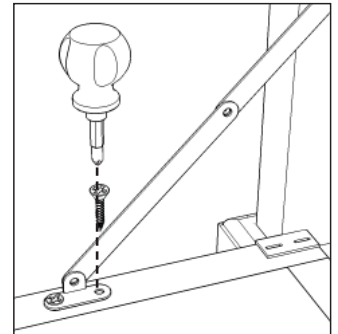
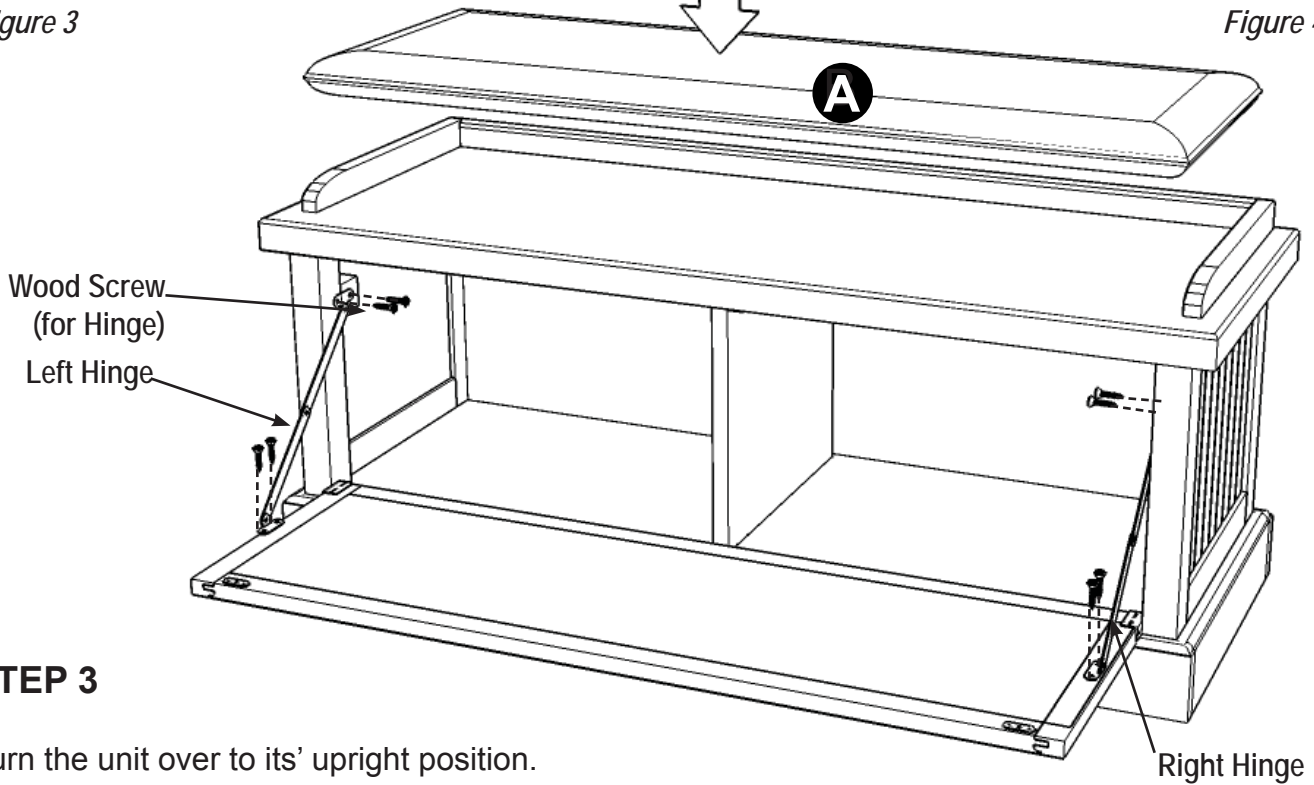


Figure 4



## STEP 3

Turn the unit over to its' upright position.

Attach Hinges to unit with Wood Screws (for Hinge).  
(see Figure 3 and 4)

Assemble Pull Handles to Doors (H) with Machine Screws.  
(see Figure 5)

Place Cushion (A) onto position.

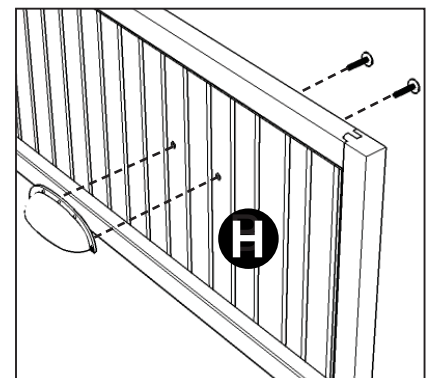


Figure 5

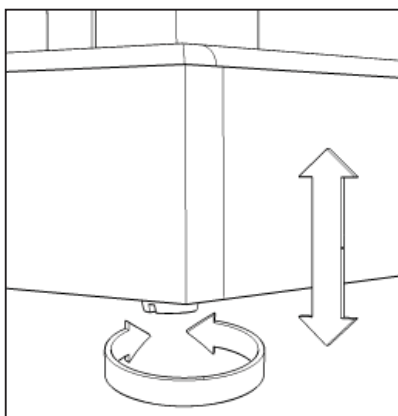


Figure 6

## STEP 4

To level the unit, adjust the adjustable levelers  
on the bottom of the legs.  
(see Figure 6)