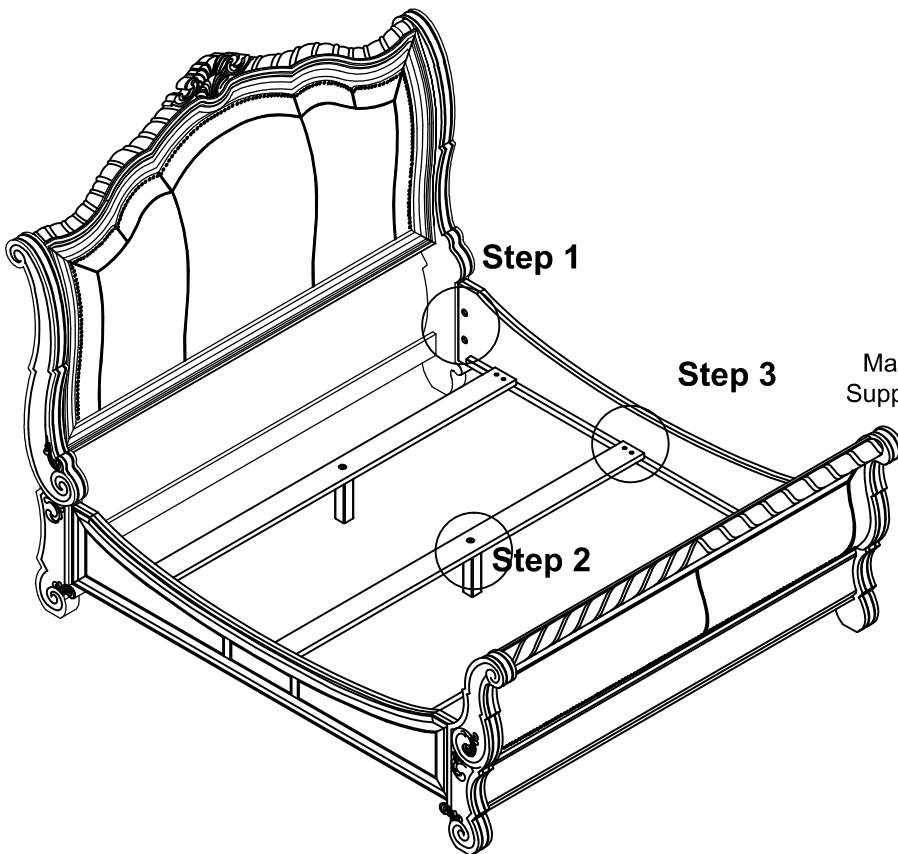


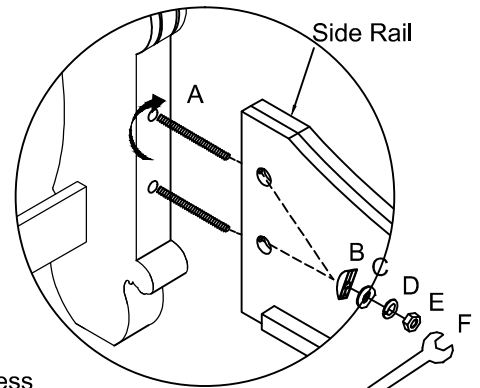
ASSEMBLY INSTRUCTIONS

209155/145/209146/147/156 HB/FB/RS
5/0 & 6/6 UPH. SLEIGH BED

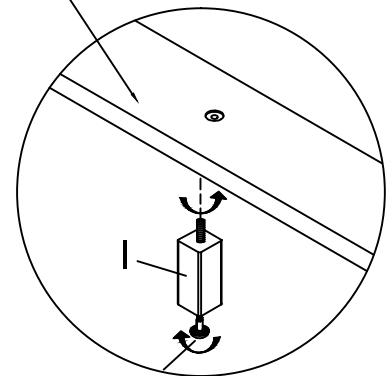
Thank you for purchasing this quality product. Be sure to check all packing material carefully for small parts, which may have come loose inside the carton during shipment. Identify and count all parts and compare with the Parts List below.



Step 1

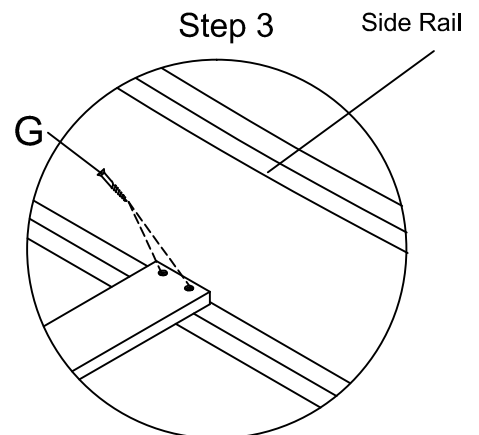


Step 2



Adjustable Level

Step 3



NO	Parts List		Q'ty(5/0)	Q'ty(6/6)	Q'ty(6/0)	
A		Bolt	5/16"X3-3/8"	8	8	8
B		Flat Washer	5/16"	8	8	8
C		Flat Washer	5/16"	8	8	8
D		Lock Washer	5/16"	8	8	8
E		Nut	5/16"	8	8	8
F		Wrench	5/16"	1	1	1
G		Wood Screw	1-1/4"	12	12	12
H		Mattress Support Slat		3	3	3
I		Slat Support	7-1/2"	3	3	3

It is suggested that at least two people work together for this assembly process.
Caution: Moving the bed with the side rail locked in place may cause damage.