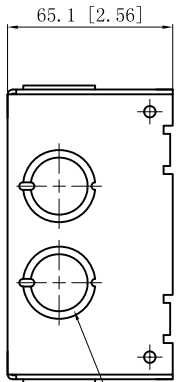
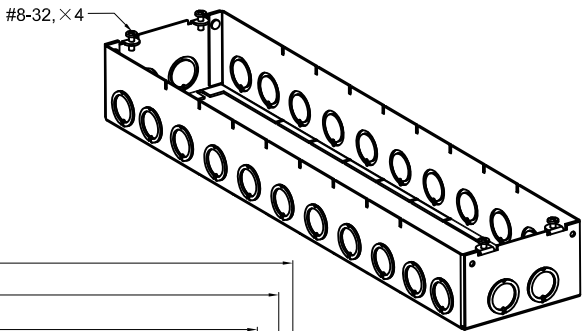
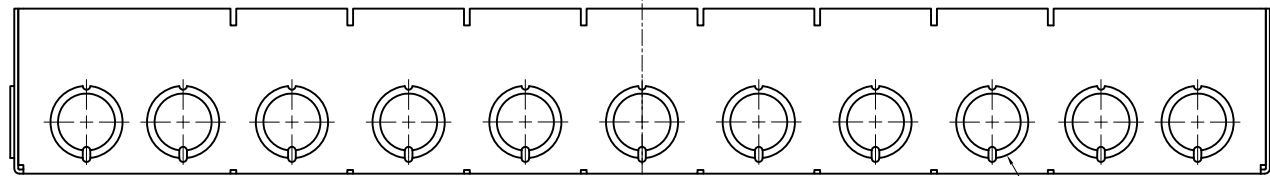
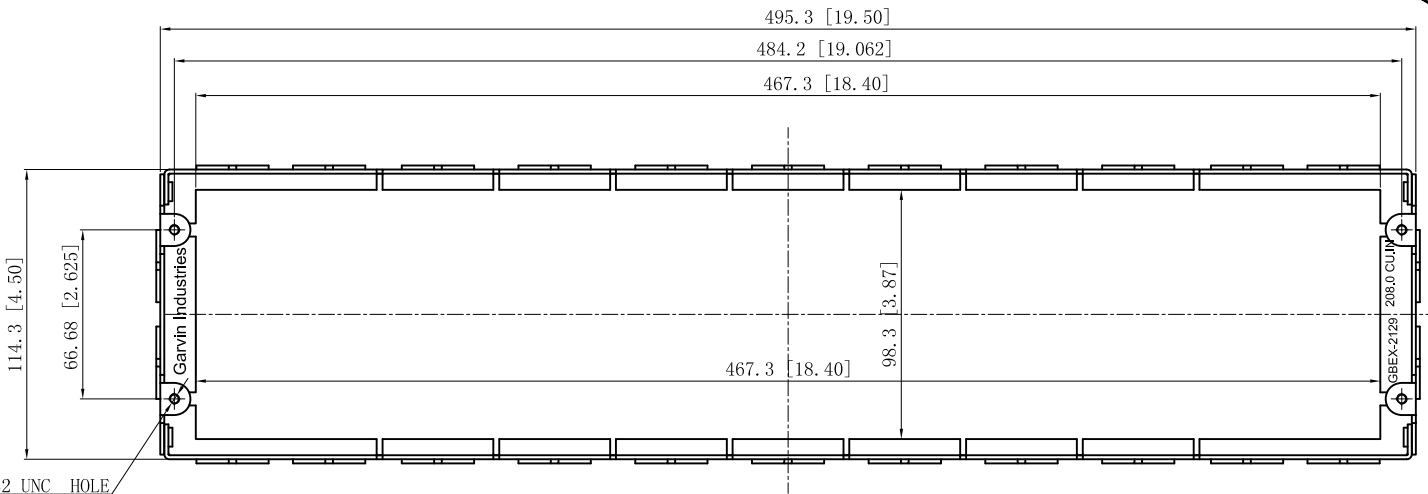


SIDES	BOTTOM
22 1/2"-3/4" KNOCKOUTS	
4 PCS 8-32X1/2 Screws Installed	
Material:Steel-0.0625"-G60 Galvanized	



4 1/2"-3/4" KNOCKOUTS $\phi=22.5[\phi=0.89]$
 $\phi=28.5[\phi=1.12]$ MIRROR

4-#8-32 UNC HOLE



22 1/2"-3/4"KNOCKOUTS $\phi=22.50[\phi=0.886]$
 $\phi=28.50[\phi=1.122]$ MIRROR

This data sheet is for reference only .GARVIN INDUSTRIES reserves the right to make changes to the design without prior notice.

DESCRIPTION
TRADE REFERENCE TERMS

STANDARD PACKING
5 PCS

GARVIN INDUSTRIES		
TITLE 2-1/2" DEEP MULTI-GANG BOXES		
SIZE A4	DWG NO. GBEX-2129	REV
DATA SHEET		