

AXOR Citterio M
2-Hole Single-Handle Faucet 160 with Pop-Up Drain, 1.2 GPM
 Finishes : **brushed nickel** Part no. : **34132821**



Description

Features

- Aerated spray
- Flow: 1.2 GPM (4.5 L/Min)
- Ceramic cartridge
- Includes pop-up drain

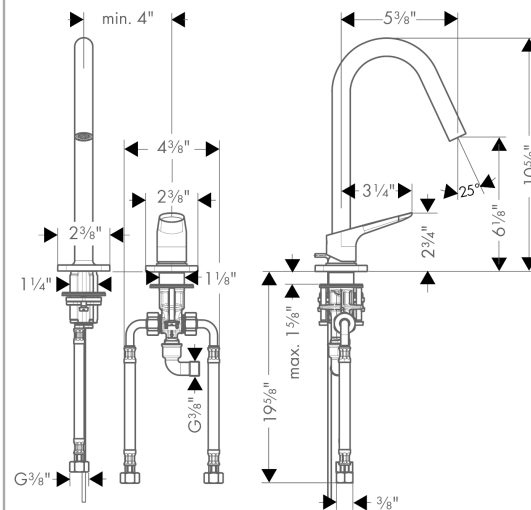
Technology



Product image



Scale drawing



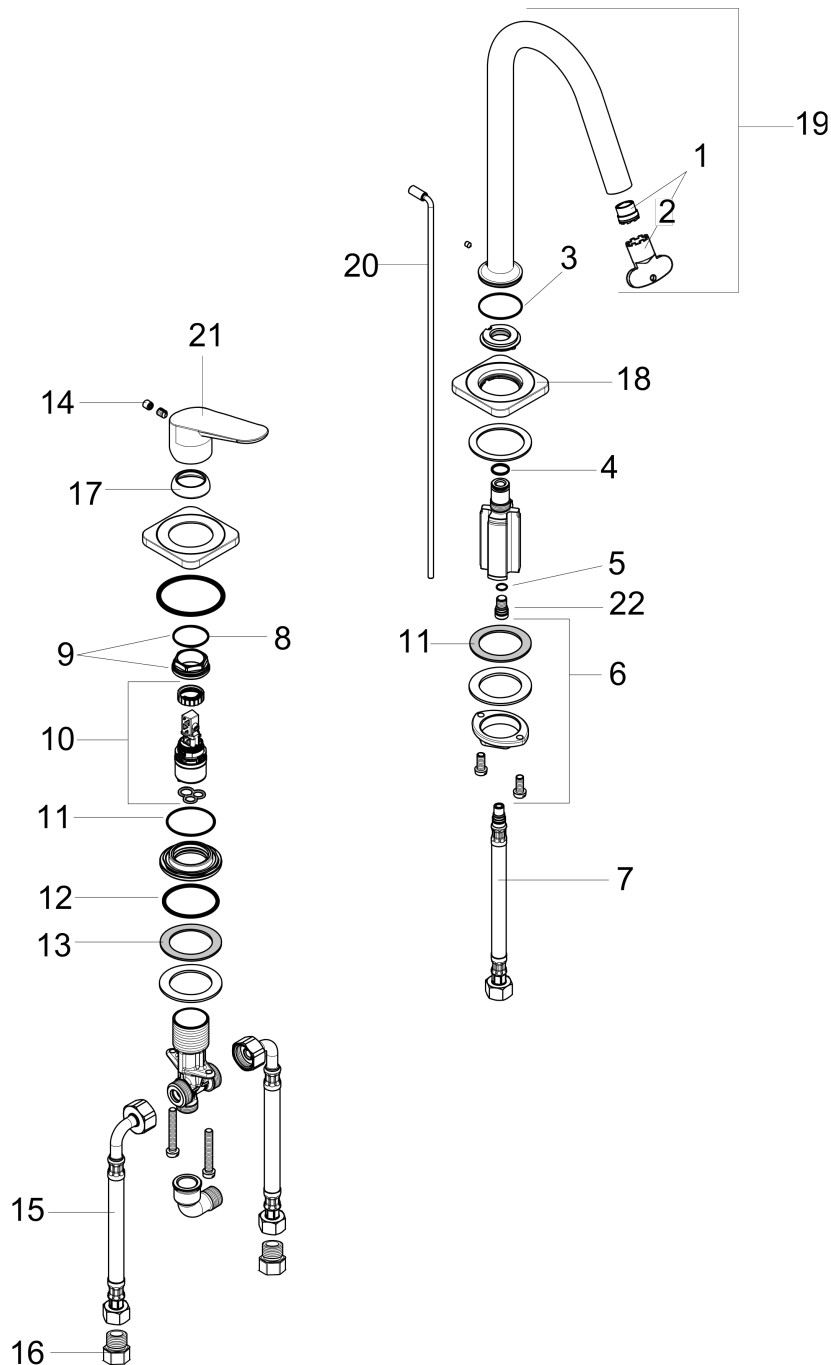
0.25

AXOR Citterio M
2-Hole Single-Handle Faucet 160 with Pop-Up Drain, 1.2 GPM
 Finishes : brushed nickel Part no. : 34132821



Exploded drawing

Year of production: >07/16



AXOR Citterio M
2-Hole Single-Handle Faucet 160 with Pop-Up Drain, 1.2 GPM
 Finishes : **brushed nickel** Part no. : **34132821**



Spare parts list

Year of production: >07/16

Pos.	Description	Part no.	PC	PU
1	aerator M16,5x1 (4,5 l/min)	92875000	0	1
2	special tool	98987000	0	1
3	O-ring 30x1,5	98433000	0	1
4	O-ring 11x2	98127000	0	1
5	O-ring 7x1,5	98422000	0	1
6	fixing set (Ø 32)	13961000	0	1
7	connection hose 450 mm M8x0,75 G3/8	97206000	0	1
8	O-Ring 22x2	98185000	0	1
9	nut	95178000	0	1
10	cartridge, assy	95973001	0	1
11	O-ring 36x2	98156000	0	1
12	O-ring 40x3	92634000	0	1
13	lever collar	97548000	0	1
14	screw cover	96762000	0	1
15	connection hose 450 mm G½ x G3/8	95738000	0	1
16	adapter for connection hose	88802000	0	1
17	flange	98863820	0	1
18	escutcheon	98930820	0	1
19	spout cpl.	98928820	0	1
20	pull rod	95701820	0	1
21	handle	34093820	0	1
22	plug	92313000	0	1
a	pop up waste	88509000	0	1
b	lever arm 340mm (ball-Ø12mm)	96324000	0	1
c	Hose extension set for 2-Hole Basin Mixer	38960001	0	1