

Assembly Guide

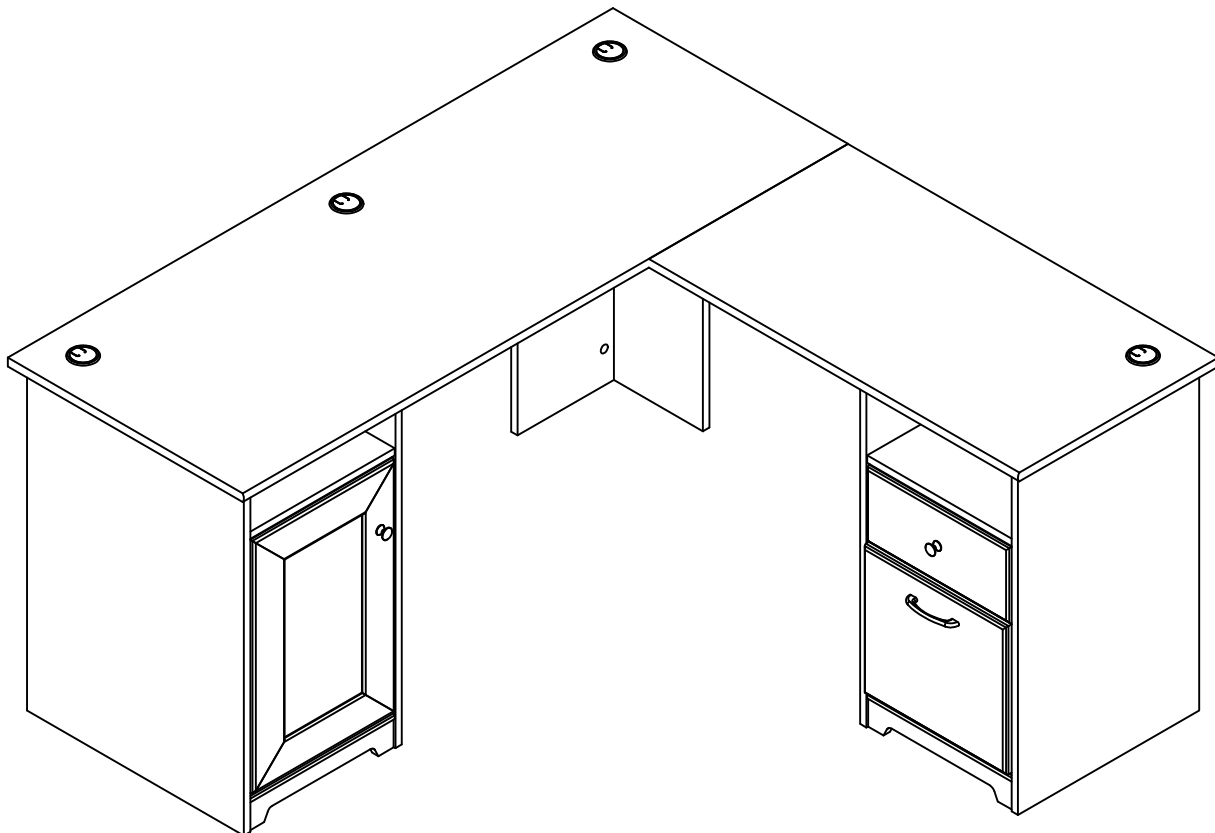


If you're having any difficulty during assembly of this product, don't hesitate to call us at **1-800-950-4782.**

Our customer service experts are trained to provide step-by-step instruction and can easily replace any missing or damaged parts.

Representatives are available Monday-Friday from 8:30 a.m. to 7:30 p.m. (ET)

60" Wide L-Desk



Lot Code #

Instruction Sheet Number A175390H

Keep manual for future reference.

For best results, keep these tips in mind:

- ① We know you want to finish this assembly as quickly as possible, but trust us: you'll have a better experience if you take it one step at a time.
- ② Give yourself some room to work near where you want the fully assembled product.
- ③ If your floor isn't carpeted, assemble this product on the empty carton to avoid scratching.
- ④ Do you have a friend who owes you a favor? Some steps may go a little easier with a second set of hands.

DOs

- ✔ Use a #2 Phillips head screwdriver (or other handheld tools as indicated)
- ✔ Wear safety glasses at all times during assembly
- ✔ Carefully follow the instructions in this guide and complete all steps in order
- ✔ Give us a call if you're having trouble with a particularly tricky step

DON'Ts

- ✘ We know power tools are quick and easy, but you shouldn't use them when assembling this product (unless otherwise specified)
- ✘ Never move your furniture with items inside or resting on the surface
- ✘ Do not attempt to use this product before all steps have been completed



Watch assembly videos right on your phone or computer!



Some steps include QR codes that link to helpful videos. Watch out for the icon below! Simply open up your smartphone camera to scan the code.

(Users of older smartphones may need to install a QR Reader.)

SCAN HERE



FOR VIDEOS

Or visit <https://www.bushbusinessfurniture.com/CustomerService/HowtoAssemble.aspx>

IMPORTANT SAFETY INFORMATION



PLEASE READ WARNINGS

Improper use can cause safety hazards, or damage to your furniture and household items.

Warning	Do	Don't	Por qué es importante
Serious injury may occur.	<ul style="list-style-type: none">Assemble following all instructions using all indicated parts and hardware provided.	<ul style="list-style-type: none">Do not move unit when loaded.Do not load with a television or other heavy equipment.Do not exceed the maximum load limits stated in the instructions.	Improper assembly, use or loading can lead to product instability, tipover, or collapse.

Caution	Do	Don't	Por qué es importante
Serious injury may occur.	<ul style="list-style-type: none">Handle glass carefully during assembly.Use proper eye and hand protection.	<ul style="list-style-type: none">Do not sit or stand on glass work surfaces.	Improper handling or loading may result in glass breakage.

IMPORTANT SAFETY INFORMATION



PLEASE READ WARNINGS

Improper use can cause safety hazards, or damage to your furniture and household items.

Advertencia	Hacer	No	Why it's important
Pueden producirse lesiones graves.	<ul style="list-style-type: none">Realice el montaje siguiendo todas las instrucciones y utilizando todas las piezas indicadas y los herrajes suministrados.	<ul style="list-style-type: none">No mueva la unidad cuando esté cargada.No cargue el mueble con un televisor u otro equipo pesado.No supere los límites máximos de carga indicados en las instrucciones.	El montaje, uso o carga inadecuados pueden provocar inestabilidad, vuelco o colapso del producto.

Atención	Hacer	No	Why it's important
Pueden producirse lesiones graves.	<ul style="list-style-type: none">Manipule el vidrio con cuidado durante el montaje.Utilice protección adecuada para los ojos y las manos.	<ul style="list-style-type: none">No se siente ni se ponga de pie sobre superficies de trabajo de vidrio.	Una manipulación o carga inadecuada puede provocar la rotura del vidrio.

IMPORTANT SAFETY INFORMATION

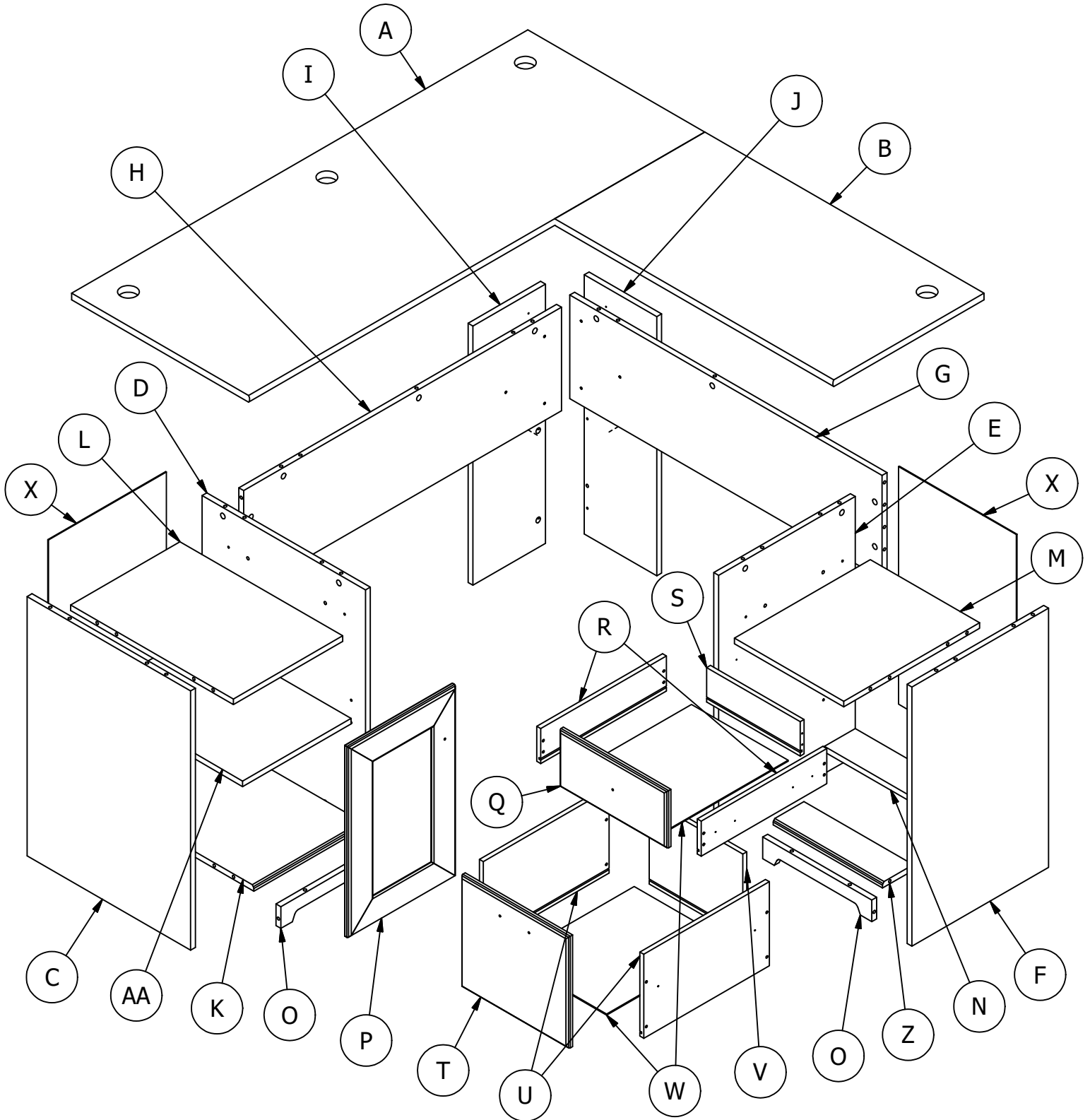


PLEASE READ WARNINGS

Improper use can cause safety hazards, or damage to your furniture and household items.

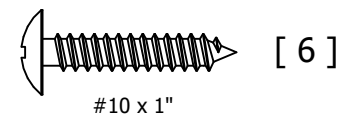
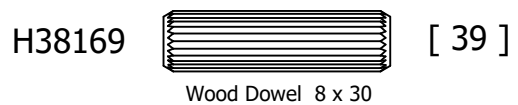
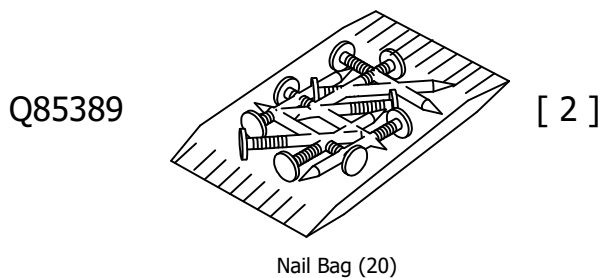
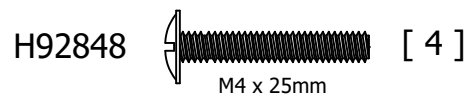
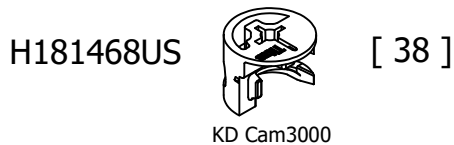
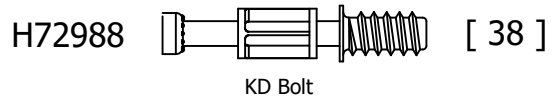
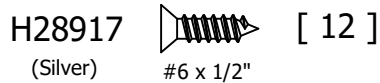
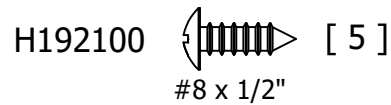
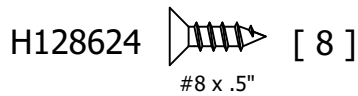
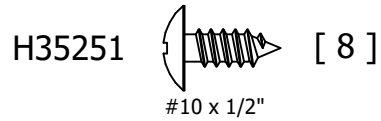
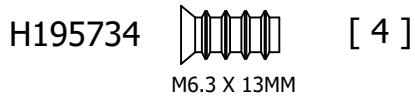
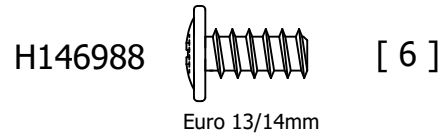
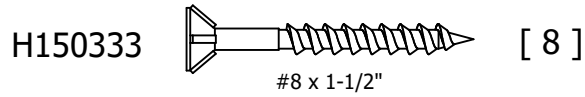
Avertissement	Faire	Ne le fais pas	Pourquoi c'est important
Peut entraîner des blessures graves.	<ul style="list-style-type: none">Assembler en suivant toutes les instructions et en utilisant toutes les pièces et la quincaillerie incluses.	<ul style="list-style-type: none">Ne pas déplacer le meuble lorsqu'il est chargé.Ne pas charger le meuble avec un téléviseur ou tout autre équipement lourd.Ne pas dépasser les limites de poids maximales indiquées dans les instructions..	Un assemblage, une utilisation ou un chargement incorrects peuvent entraîner l'instabilité, le basculement ou l'effondrement du produit.

Attention	À faire	À ne pas faire	Pourquoi c'est important
Peut entraîner des blessures graves.	<ul style="list-style-type: none">Manipuler le verre avec précaution pendant l'assemblage.Utiliser une bonne protection pour les yeux et les mains.	<ul style="list-style-type: none">Ne pas s'asseoir ou se tenir debout sur les surfaces de travail en verre.	Une manipulation ou un chargement inadéquats risquent de briser le verre.



Have an assembly question or need a replacement part? Just call
1-800-950-4782, we are here to help.

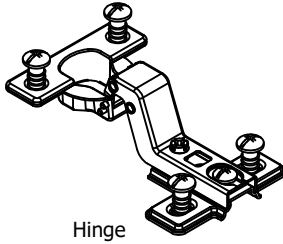
Fasteners are shown actual size.



Have an assembly question or need a replacement part? Just call
1-800-950-4782, we are here to help.

Hardware not to scale.

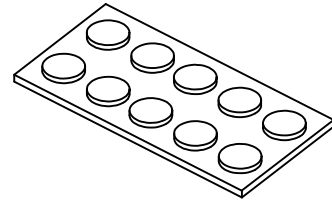
H214973



Hinge

[2]

H215406



Bumper (10) per pack

[1]

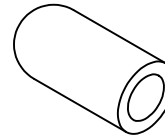
H100444



DWR Bracket

[2]

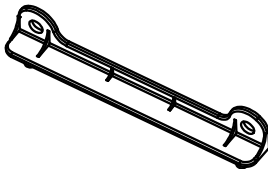
H126396



Shelf Pin Sleeve

[4]

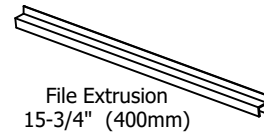
H100446



Drawer Bracket

[2]

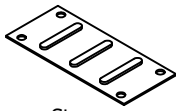
H162488



File Extrusion
15-3/4" (400mm)

[2]

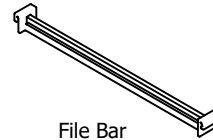
H39922



Strap

[2]

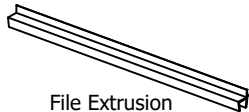
H89793



File Bar
12-1/2" (318mm)

[1]

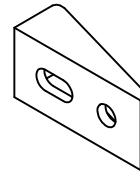
H94928



File Extrusion
12" (304mm)

[1]

H32024



Lock Clip

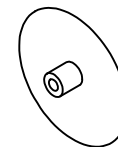
[1]

H23604



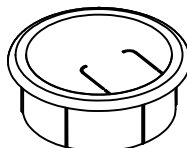
Shelf Pin

[4]



Cover Cap

[23]

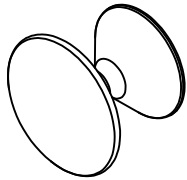


Grommet

[4]

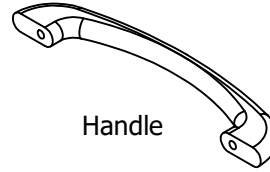
Have an assembly question or need a replacement part? Just call **1-800-950-4782**, we are here to help.

Hardware not to scale.



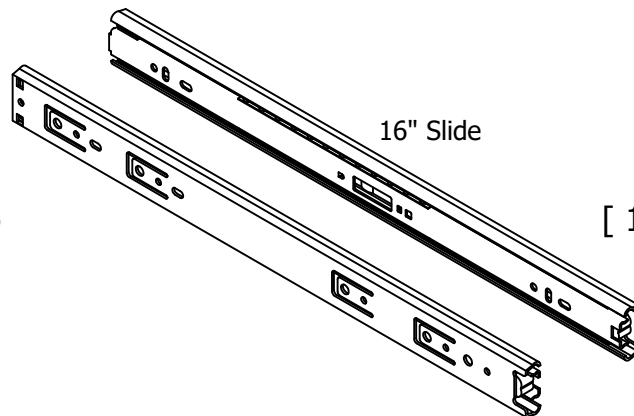
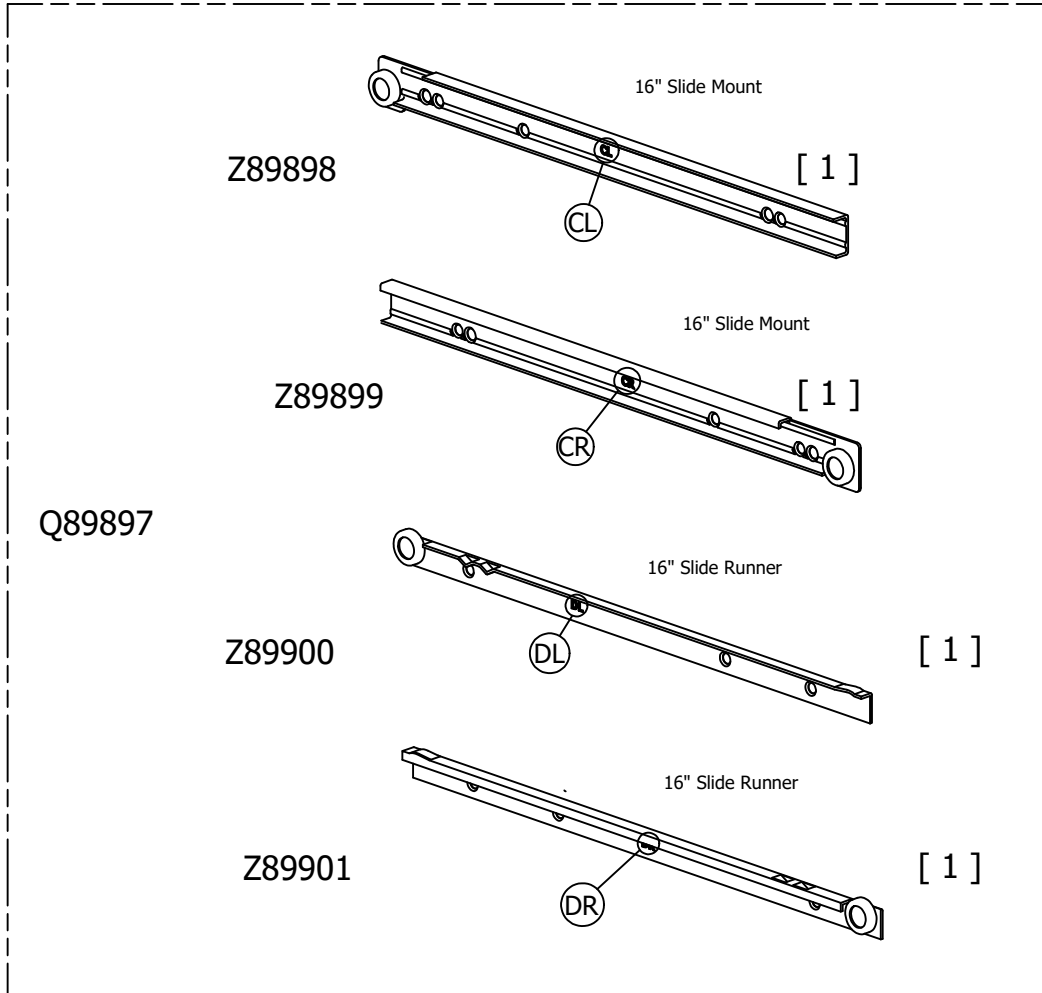
[2]

Door Knob



[1]

Handle



Q216346

[1]

16" Slide

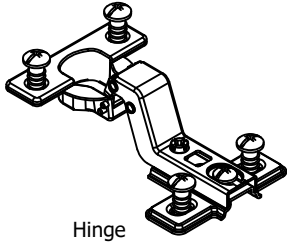
Have an assembly question or need a replacement part? Just call **1-800-950-4782**, we are here to help.

STEP 1

Prepare Door

A175390H

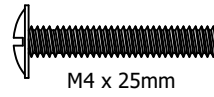
H214973



Hinge

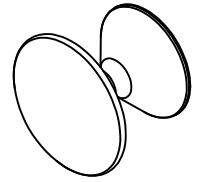
[2]

H92848



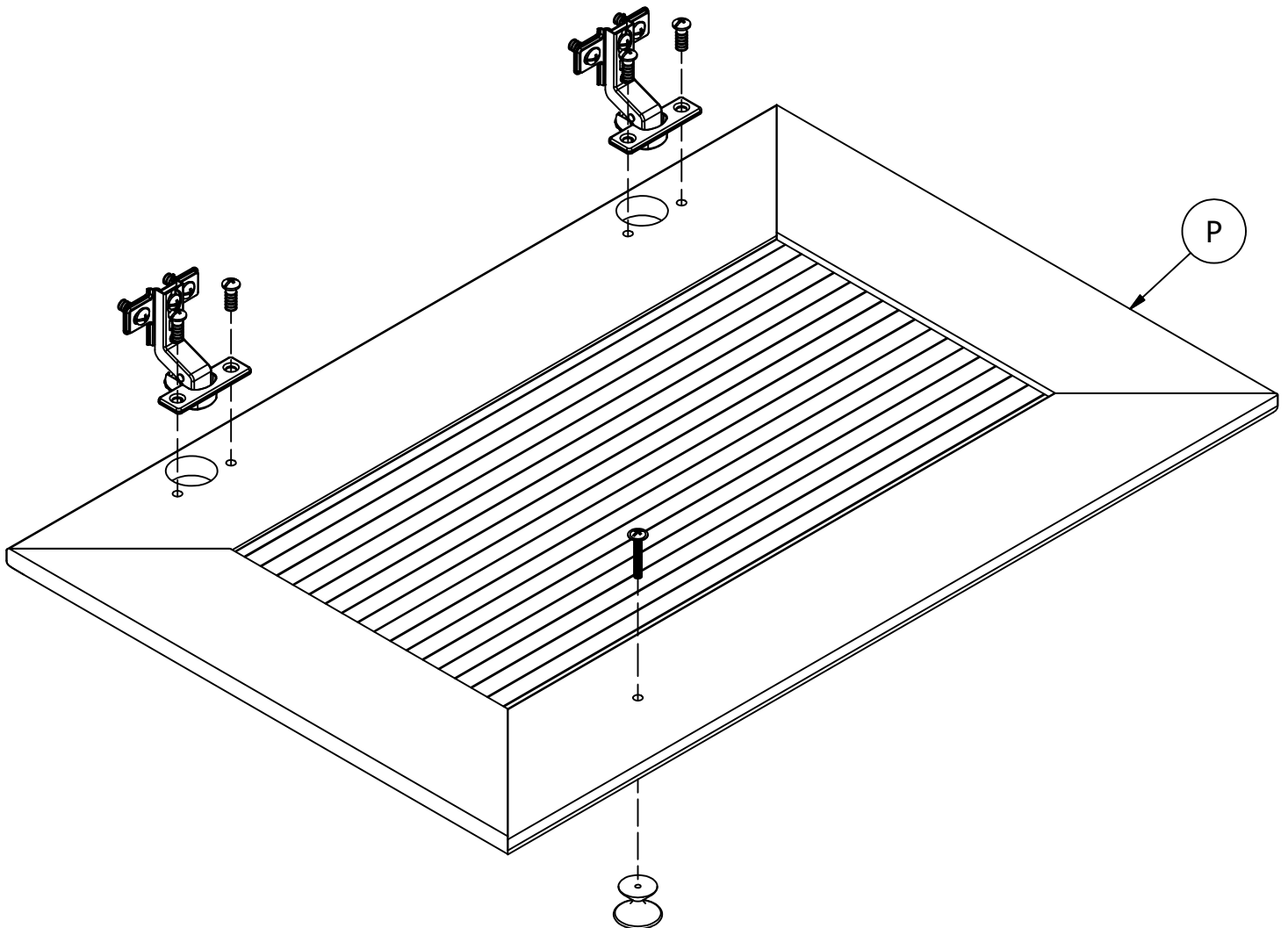
M4 x 25mm

[1]



Door Knob

[1]



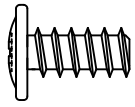
Have an assembly question or need a replacement part? Just call
1-800-950-4782, we are here to help.

STEP 2

Prepare Panels

A175390H

H146988



Euro 13/14mm

[6]

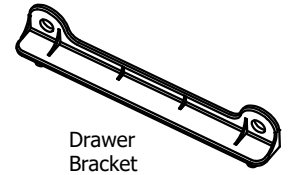
H100444



DWR Bracket

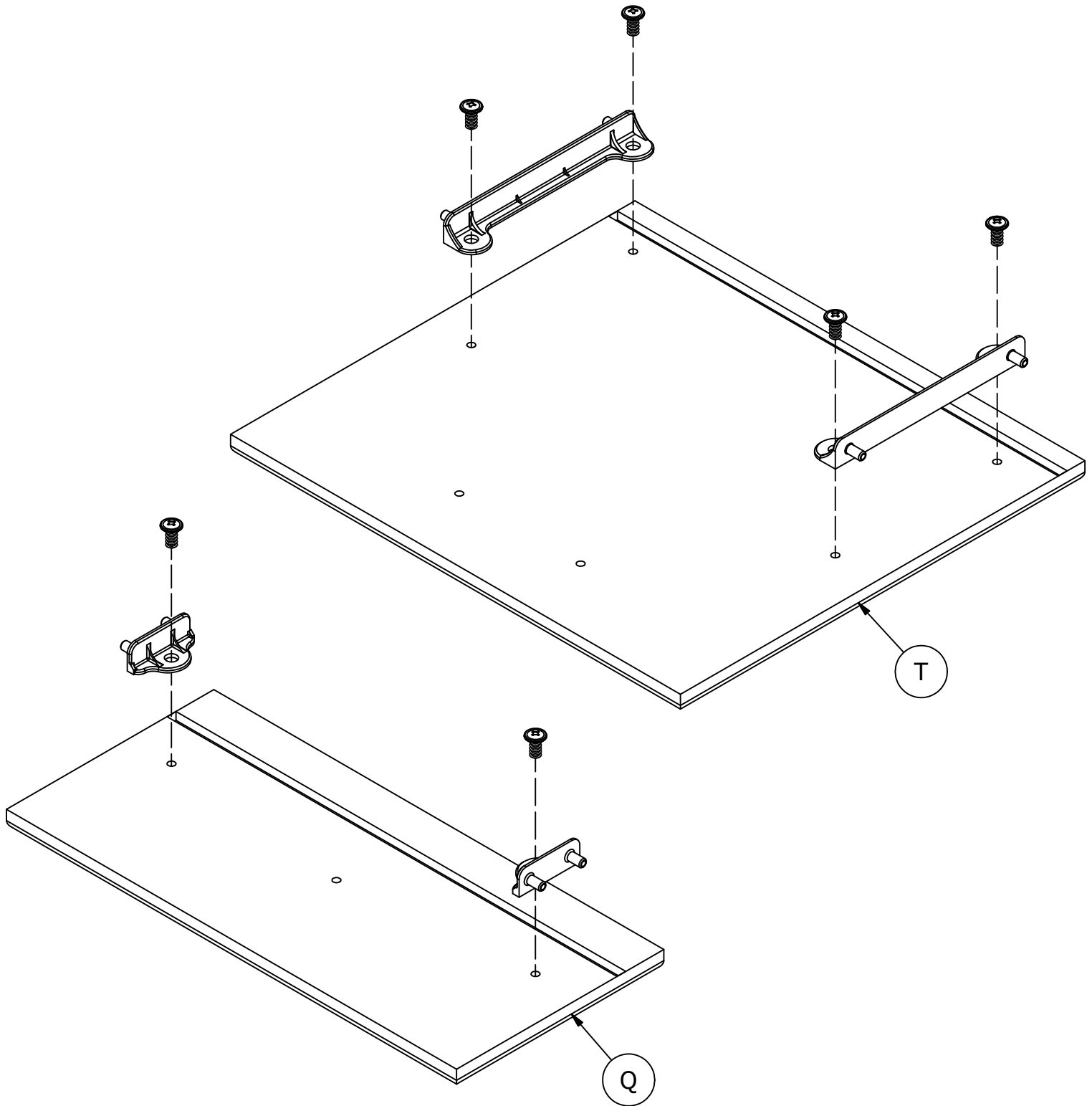
[2]

H100446



Drawer
Bracket

[2]



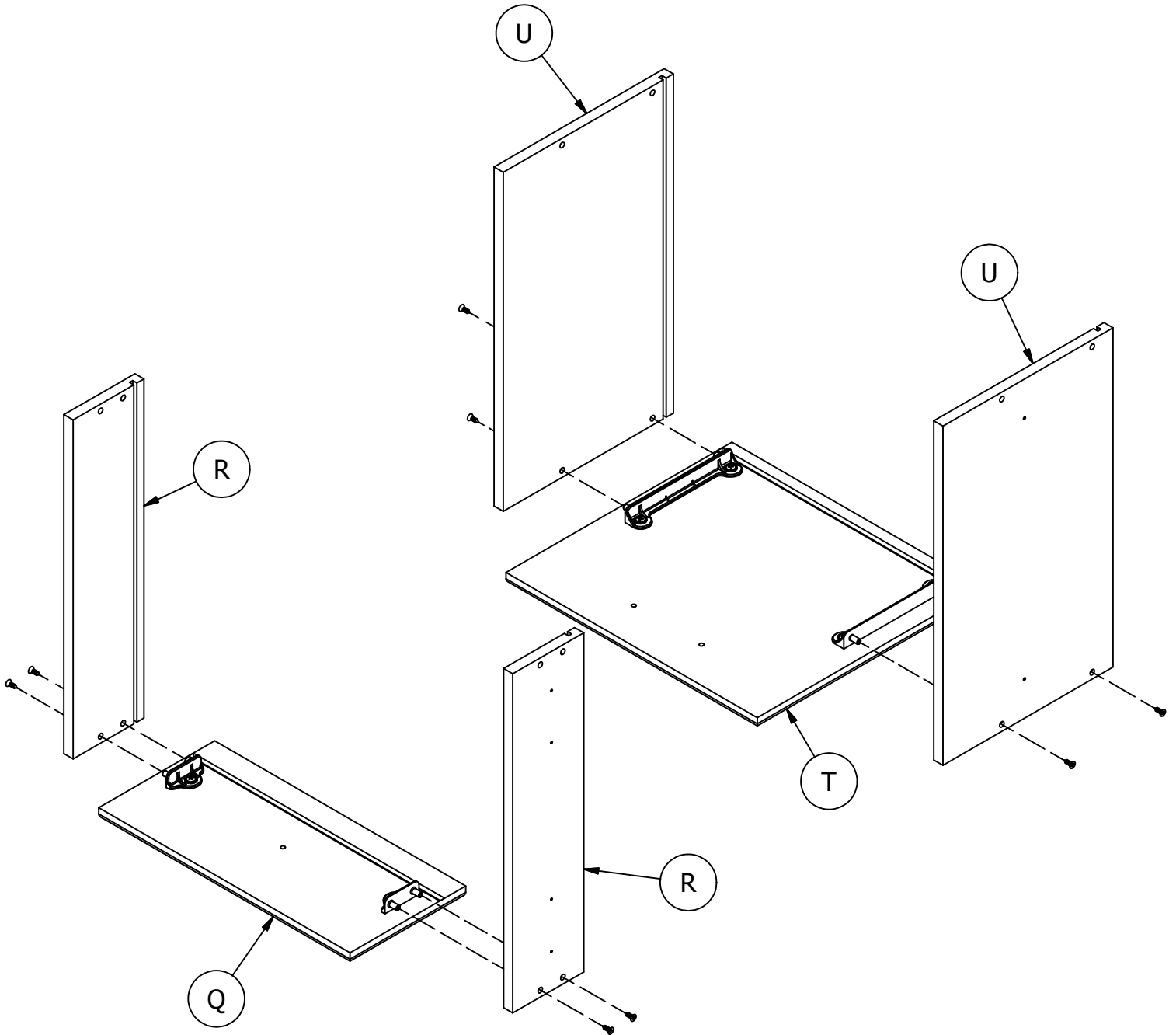
Have an assembly question or need a replacement part? Just call
1-800-950-4782, we are here to help.

STEP 3

Assemble Drawers

A175390H

H128624 [8]
(Black) #8 x .5"



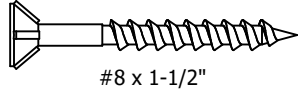
Have an assembly question or need a replacement part? Just call
1-800-950-4782, we are here to help.

STEP 4

Assemble Drawers

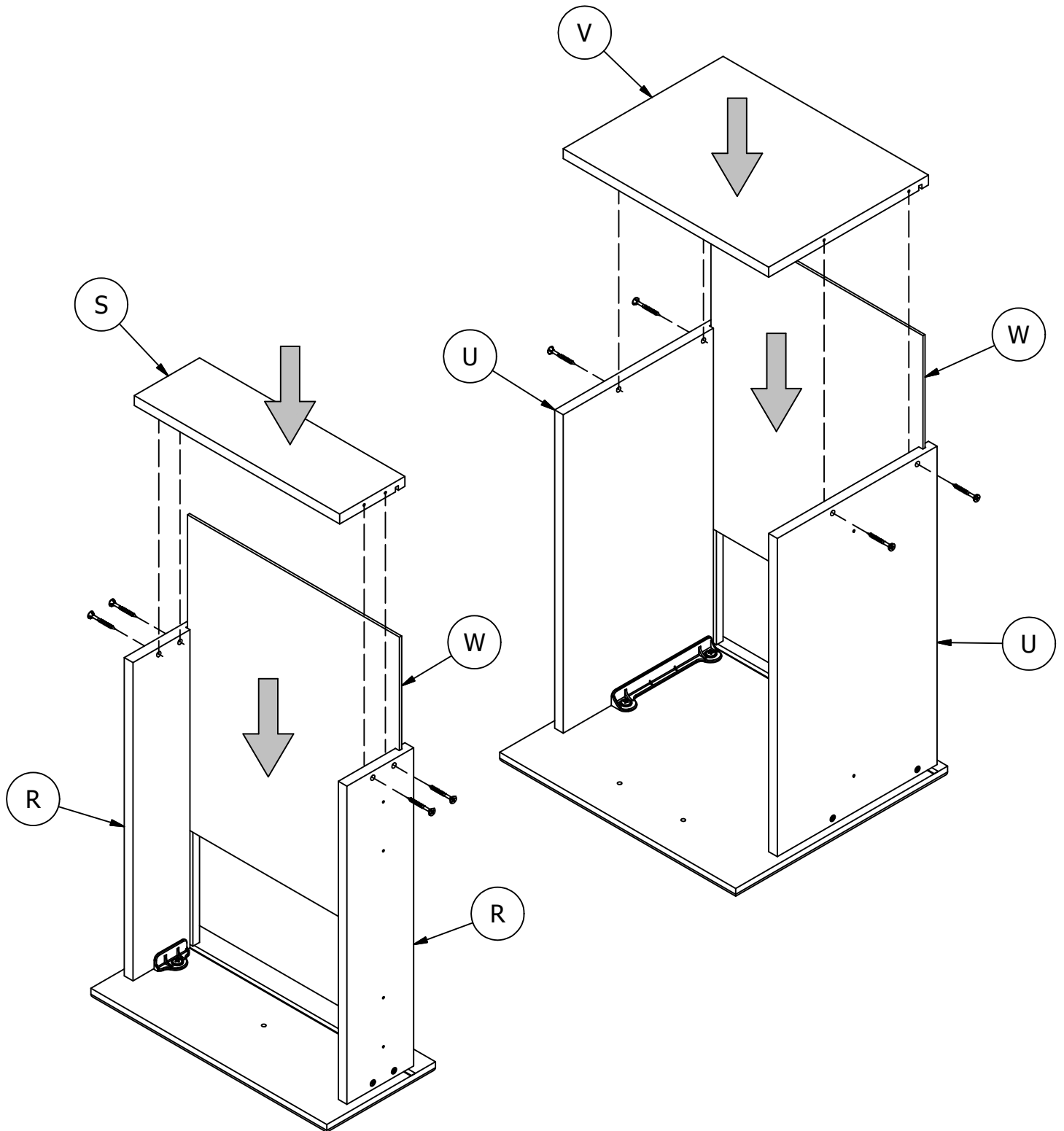
A175390H

H150333



#8 x 1-1/2"

[8]



Have an assembly question or need a replacement part? Just call
1-800-950-4782, we are here to help.

Scan QR Code to Watch Video on:

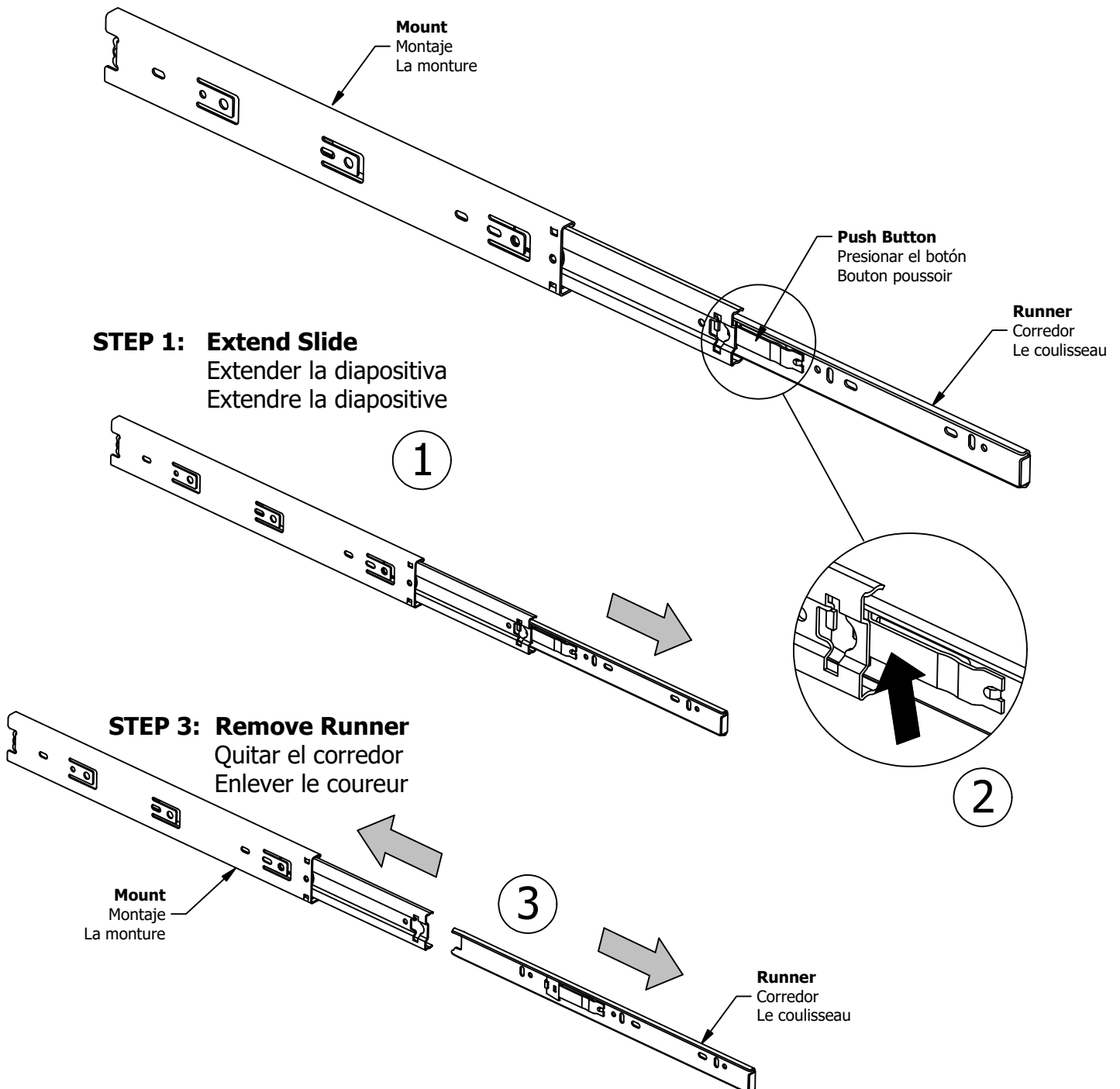


How to Separate and Install Drawer Slides

**Slides Must Be Separated Before Assembly.
After Separated, Set Aside Until Needed for Assembly.**

Las diapositivas deben separarse antes del montaje.
Después de la separación, déjelo a un lado hasta que sea necesario.

Les glissières doivent être séparées avant l'assemblage.
Après la séparation, mettez de côté jusqu'au moment de l'assemblage.



Have an assembly question or need a replacement part? Just call **1-800-950-4782**, we are here to help.

STEP 6

Attach Hardware

A175390H

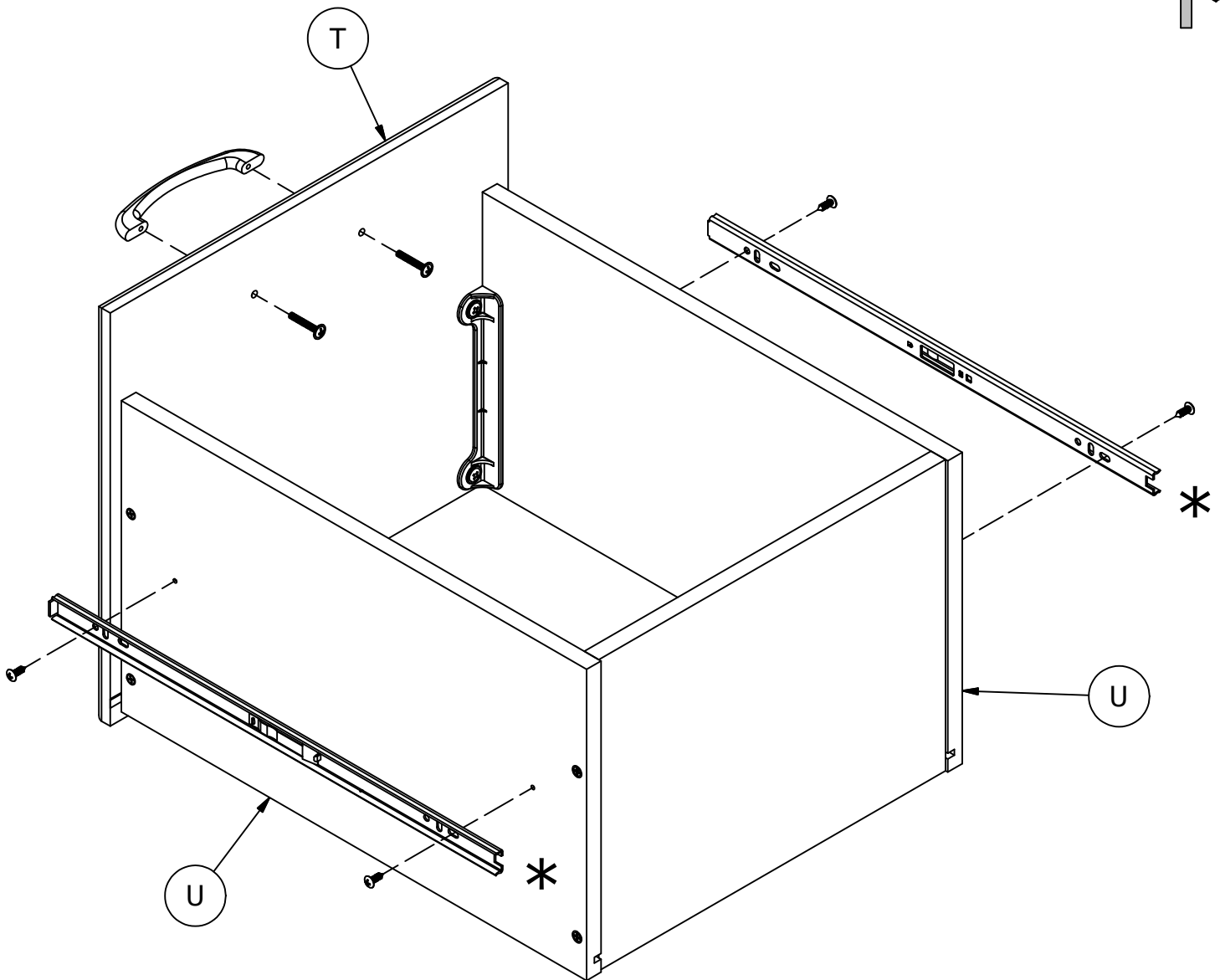
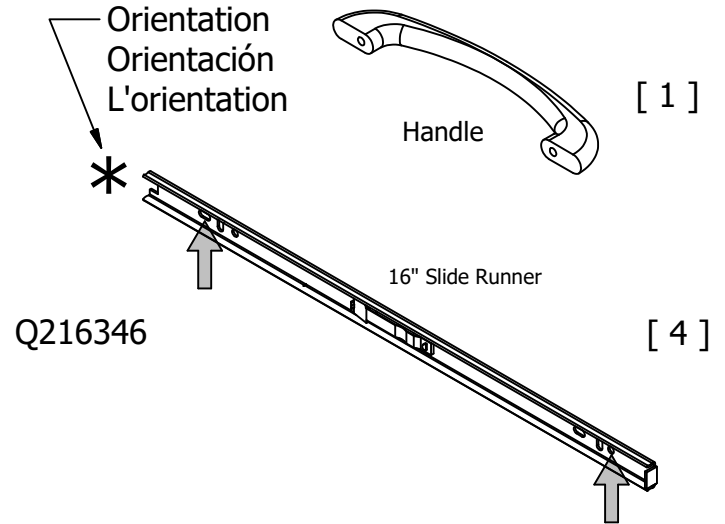
Scan QR Code to Watch Video on:



How to Separate and Install Drawer Slides

H192100 [4]
#8 x 1/2"

H92848 [2]
(Silver)
M4 x 25mm



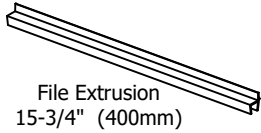
Have an assembly question or need a replacement part? Just call **1-800-950-4782**, we are here to help.

STEP 7

Attach Hardware

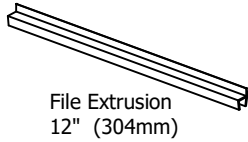
A175390H

H162488



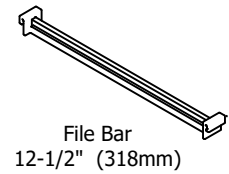
[2]

H94928

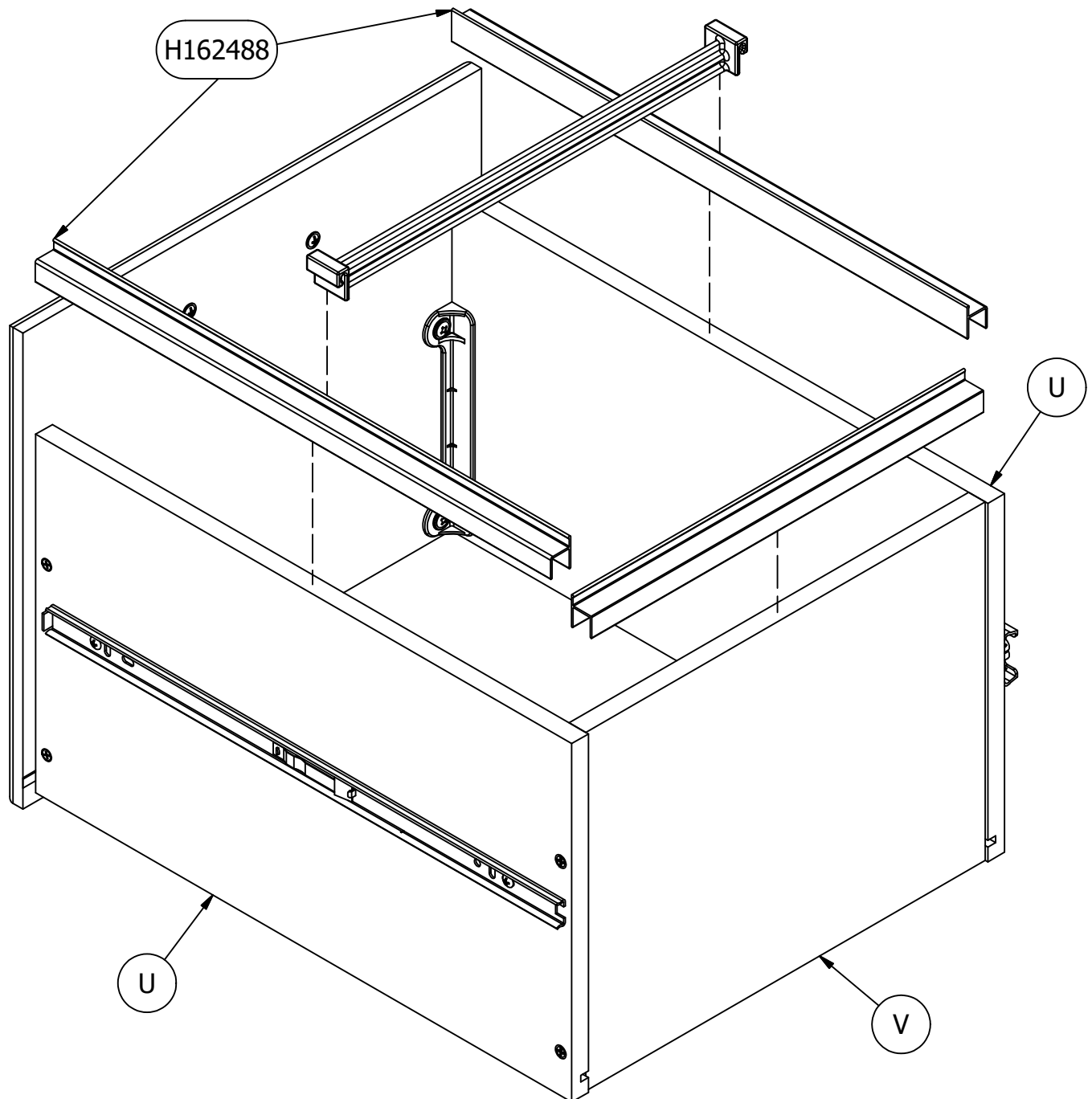


[1]

H89793



[1]

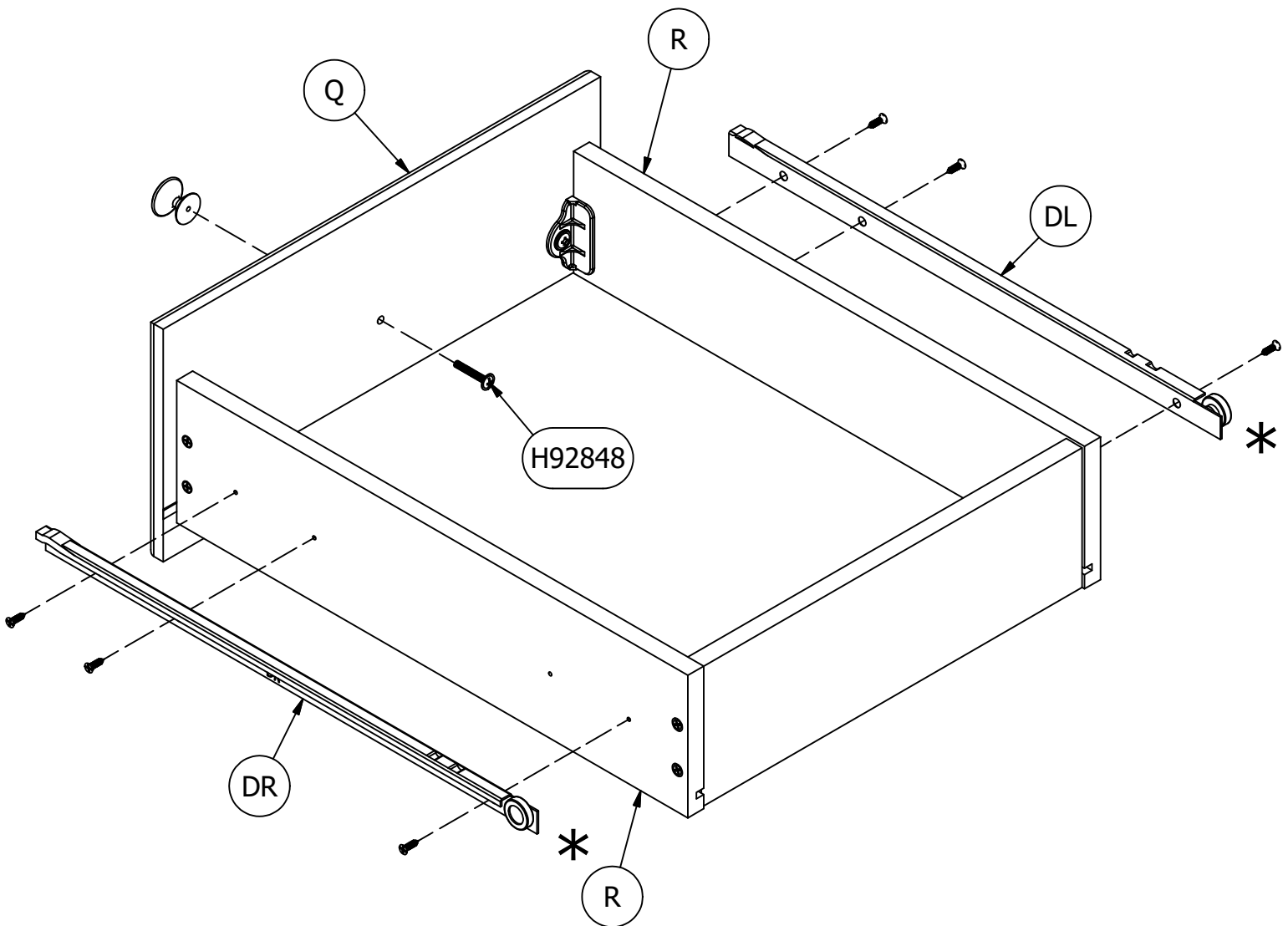
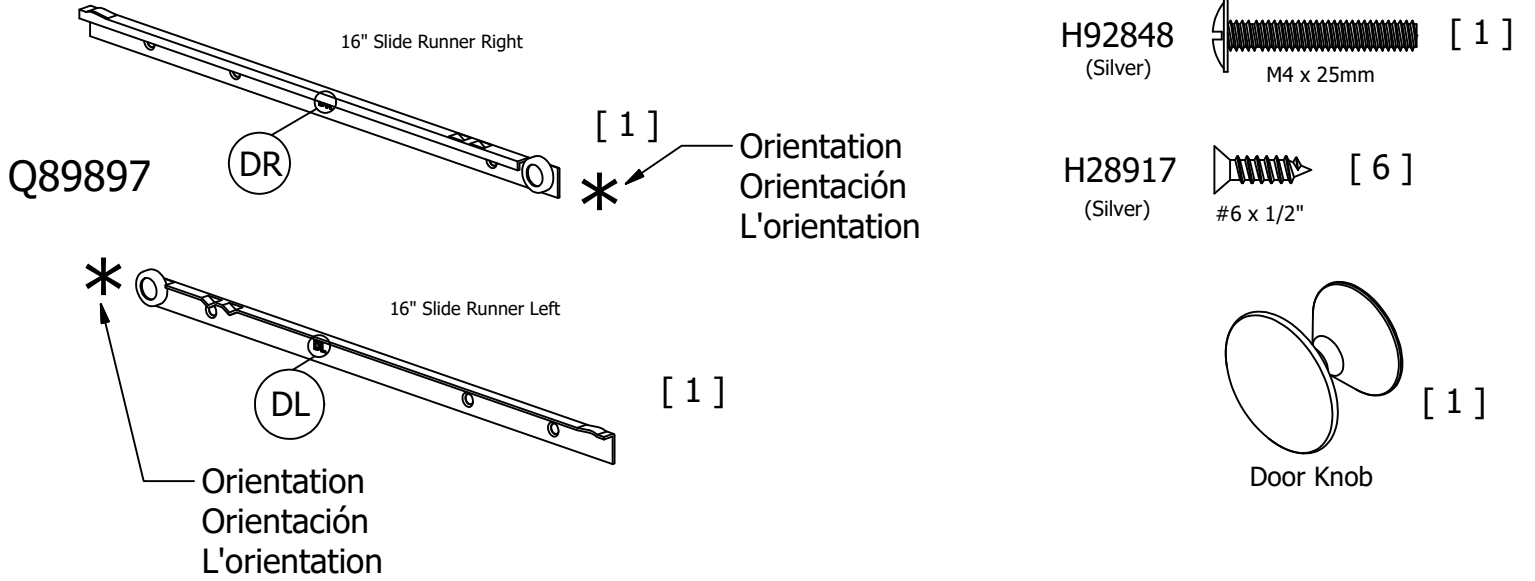


Have an assembly question or need a replacement part? Just call
1-800-950-4782, we are here to help.

STEP 8

Attach Hardware

A175390H



Have an assembly question or need a replacement part? Just call **1-800-950-4782**, we are here to help.

STEP 9

Prepare Panel

A175390H

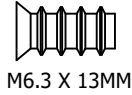
Scan QR Code to Watch Video on:



How to Separate and Install Drawer Slides

Orientation
Orientación
L'orientation

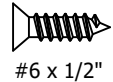
H195734 [2]



M6.3 X 13MM

H28917 [3]

(Silver)



#6 x 1/2"

Q216346

16" Slide Mount

[1]

Z89898

16" Slide Mount

[1]

Orientation
Orientación
L'orientation

Orientation
Orientación
L'orientation

H195734

E

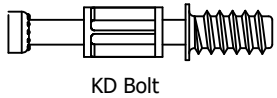
Have an assembly question or need a replacement part? Just call **1-800-950-4782**, we are here to help.

STEP 10

Prepare Panel

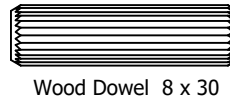
A175390H

H72988

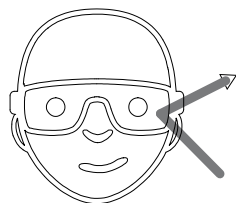
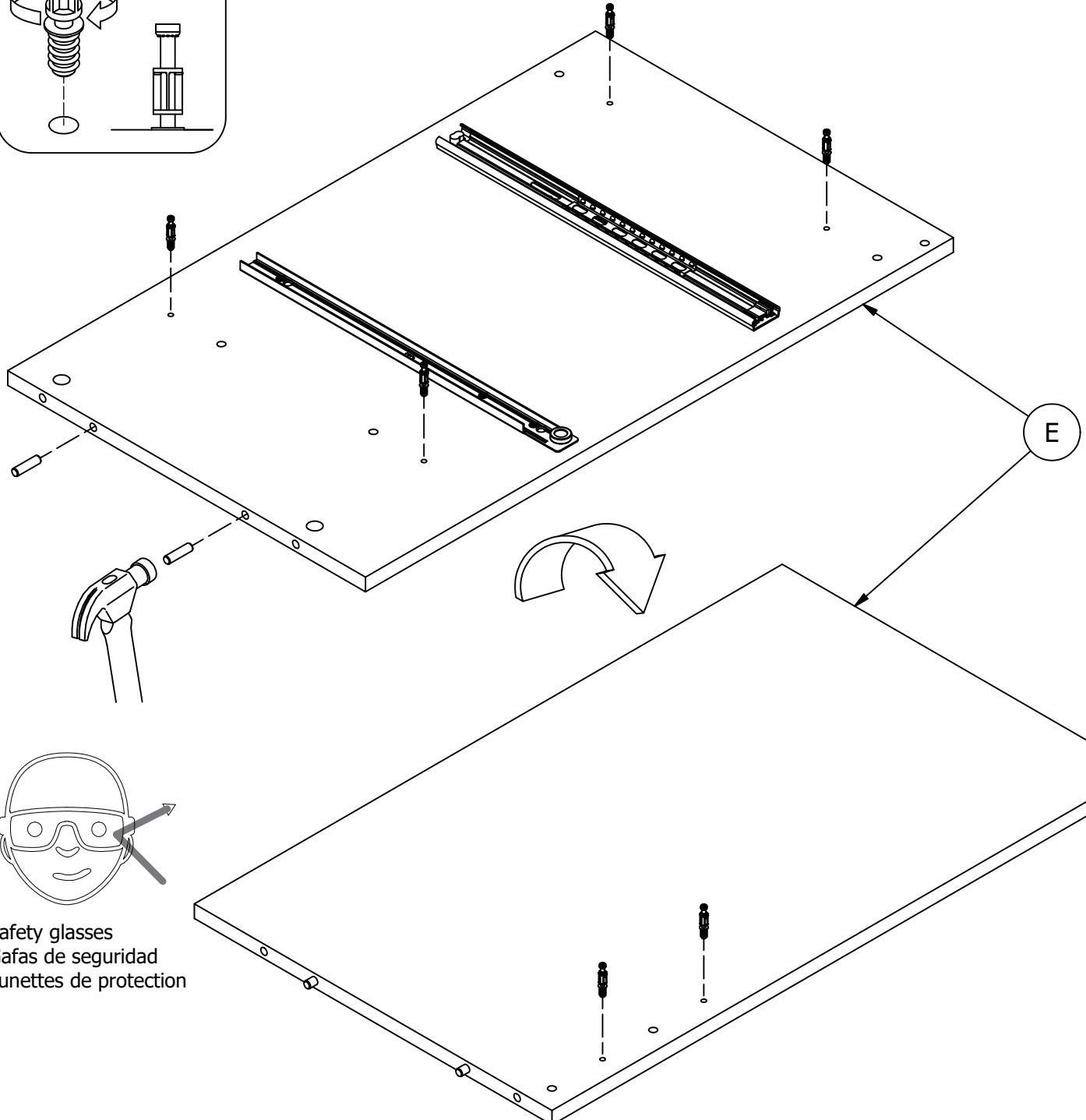
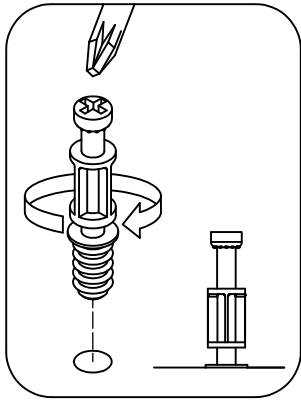


[6]

H38169



[2]



Safety glasses
Gafas de seguridad
Lunettes de protection

Have an assembly question or need a replacement part? Just call
1-800-950-4782, we are here to help.

STEP 11


Prepare Panel

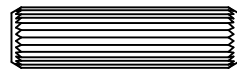
A175390H


Scan QR Code to Watch Video on:

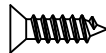


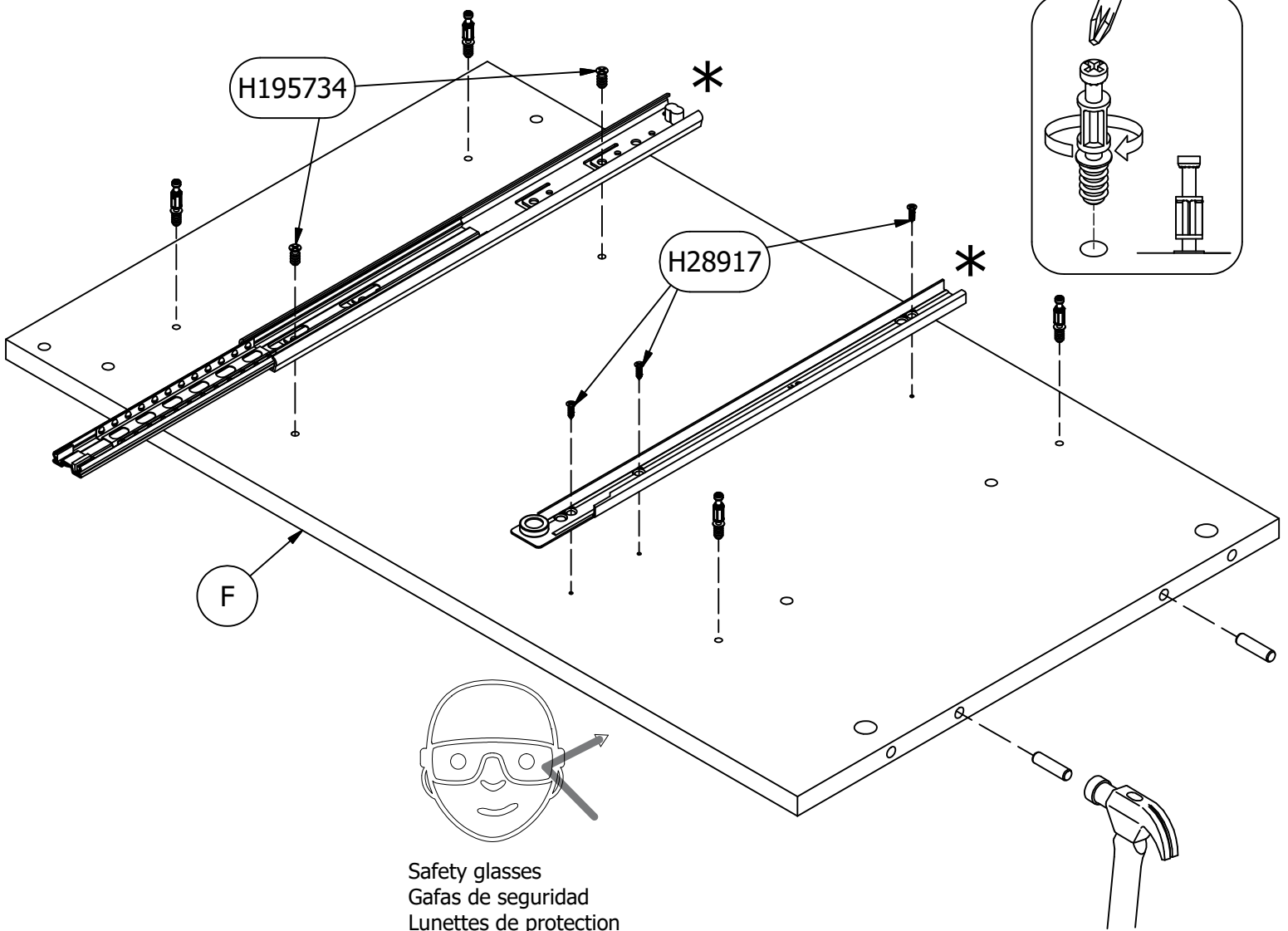
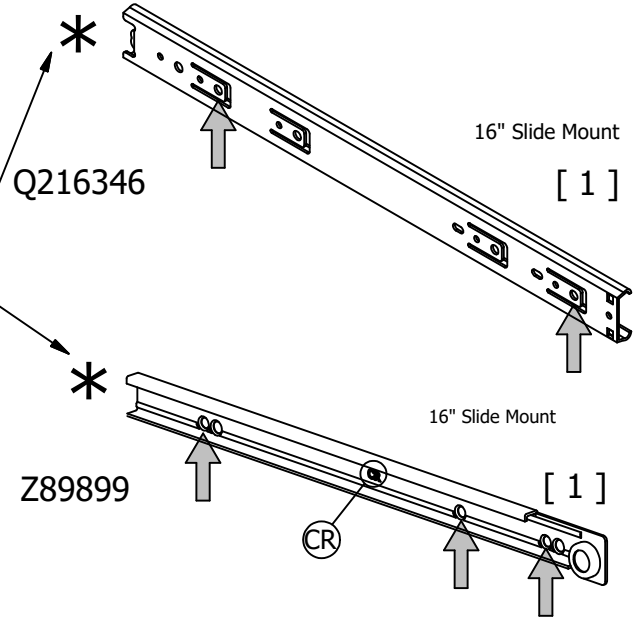
How to Separate and Install Drawer Slides

H72988  [4]
KD Bolt

H38169  [2]
Wood Dowel 8 x 30

H195734  [2]
M6.3 X 13MM

H28917  [3]
(Silver) #6 x 1/2"



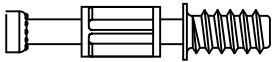
Have an assembly question or need a replacement part? Just call **1-800-950-4782**, we are here to help.

STEP 12

Prepare Panels

A175390H

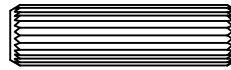
H72988



[1]

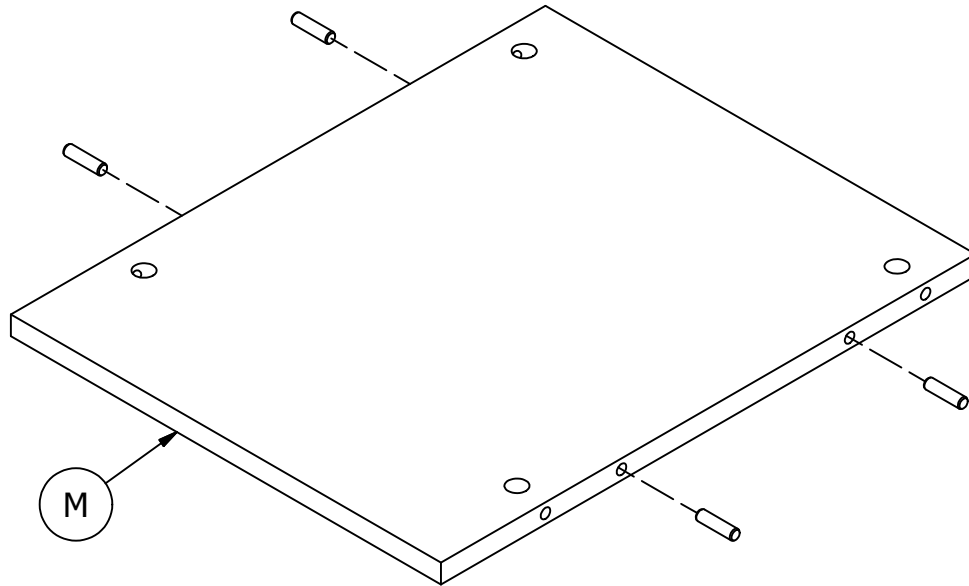
KD Bolt

H38169

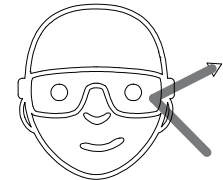


[8]

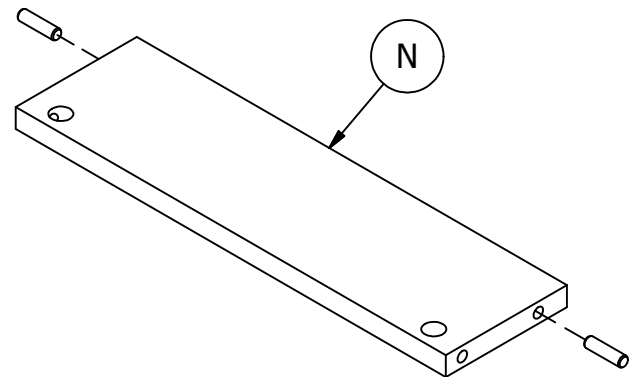
Wood Dowel 8 x 30



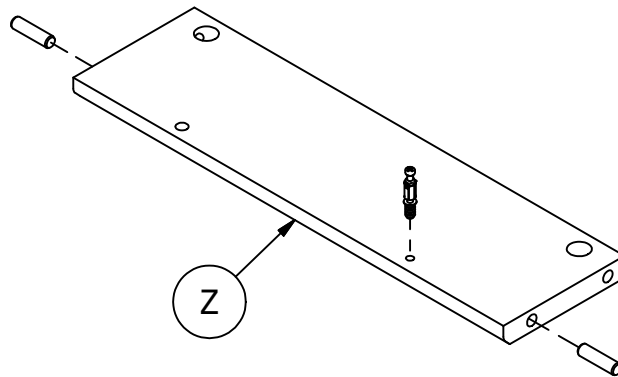
M



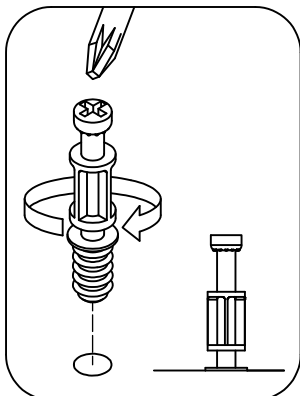
Safety glasses
Gafas de seguridad
Lunettes de protection



N



Z



Have an assembly question or need a replacement part? Just call **1-800-950-4782**, we are here to help.

STEP 13

Prepare & Assemble Panels

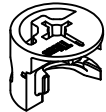
A175390H

Scan QR Code to Watch Video on:



How to Tighten KD Cams

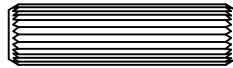
H181468US



[1]

KD Cam3000

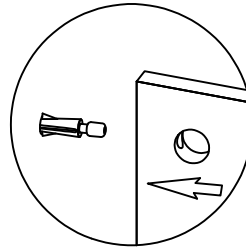
H38169



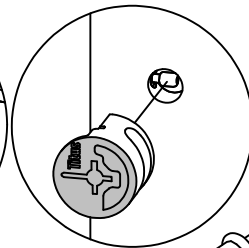
[3]

Wood Dowel 8 x 30

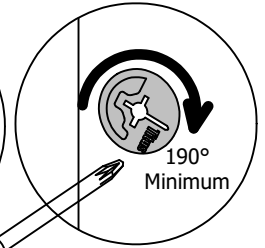
1



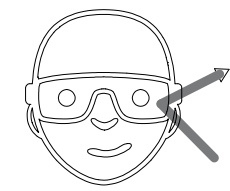
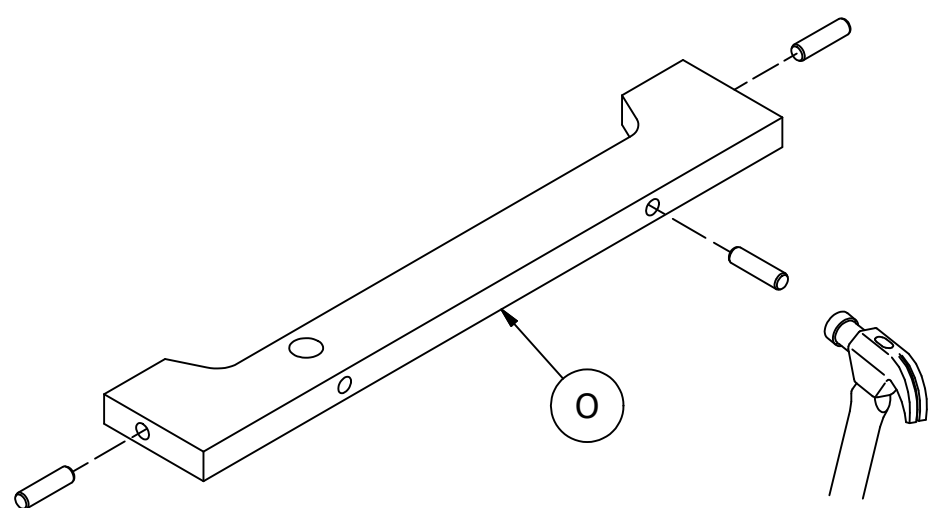
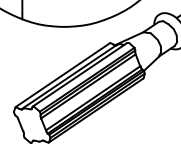
2



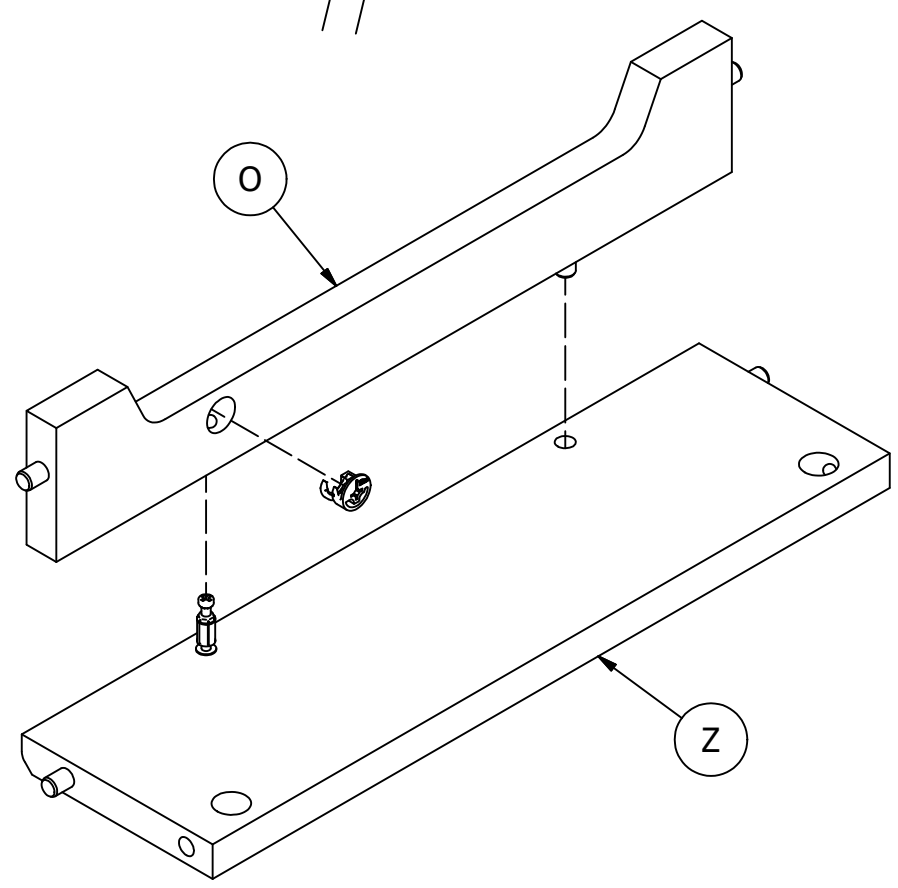
3



190° Minimum



Safety glasses
Gafas de seguridad
Lunettes de protection



Have an assembly question or need a replacement part? Just call **1-800-950-4782**, we are here to help.

STEP 14

Assemble Panels

A175390H

Scan QR Code to Watch Video on:



How to Tighten KD Cams

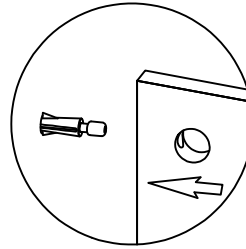
H181468US



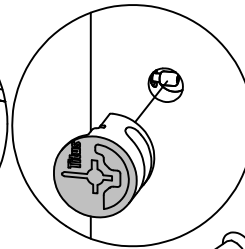
KD Cam3000

[4]

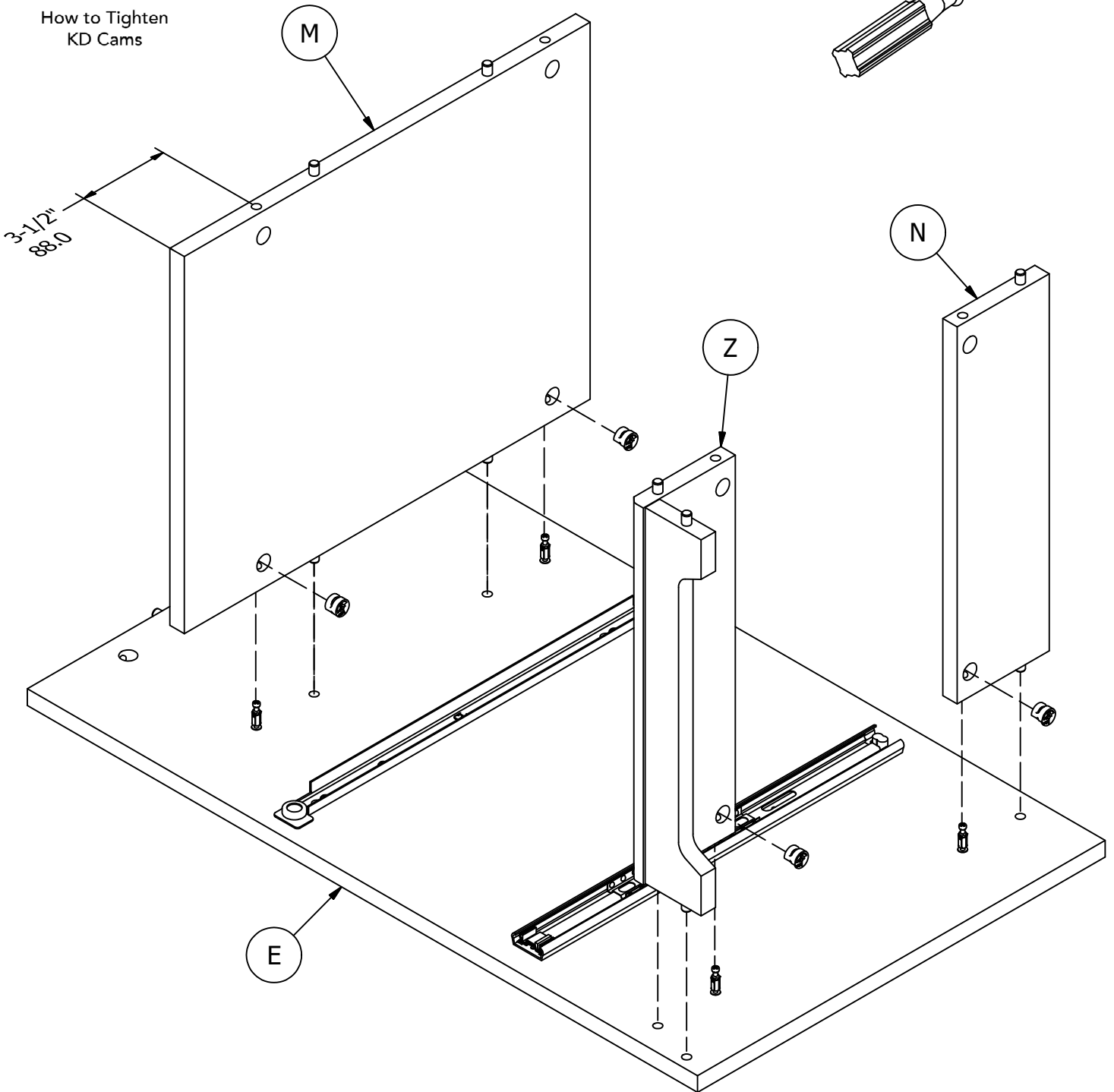
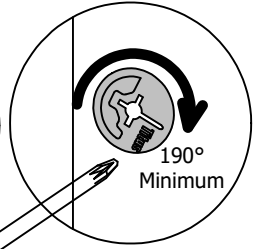
1



2



3



Have an assembly question or need a replacement part? Just call **1-800-950-4782**, we are here to help.

STEP 15

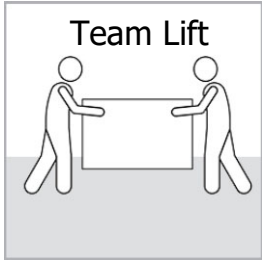
Assemble Panels

A175390H

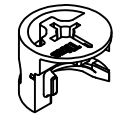
Scan QR Code to Watch Video on:



How to Tighten KD Cams

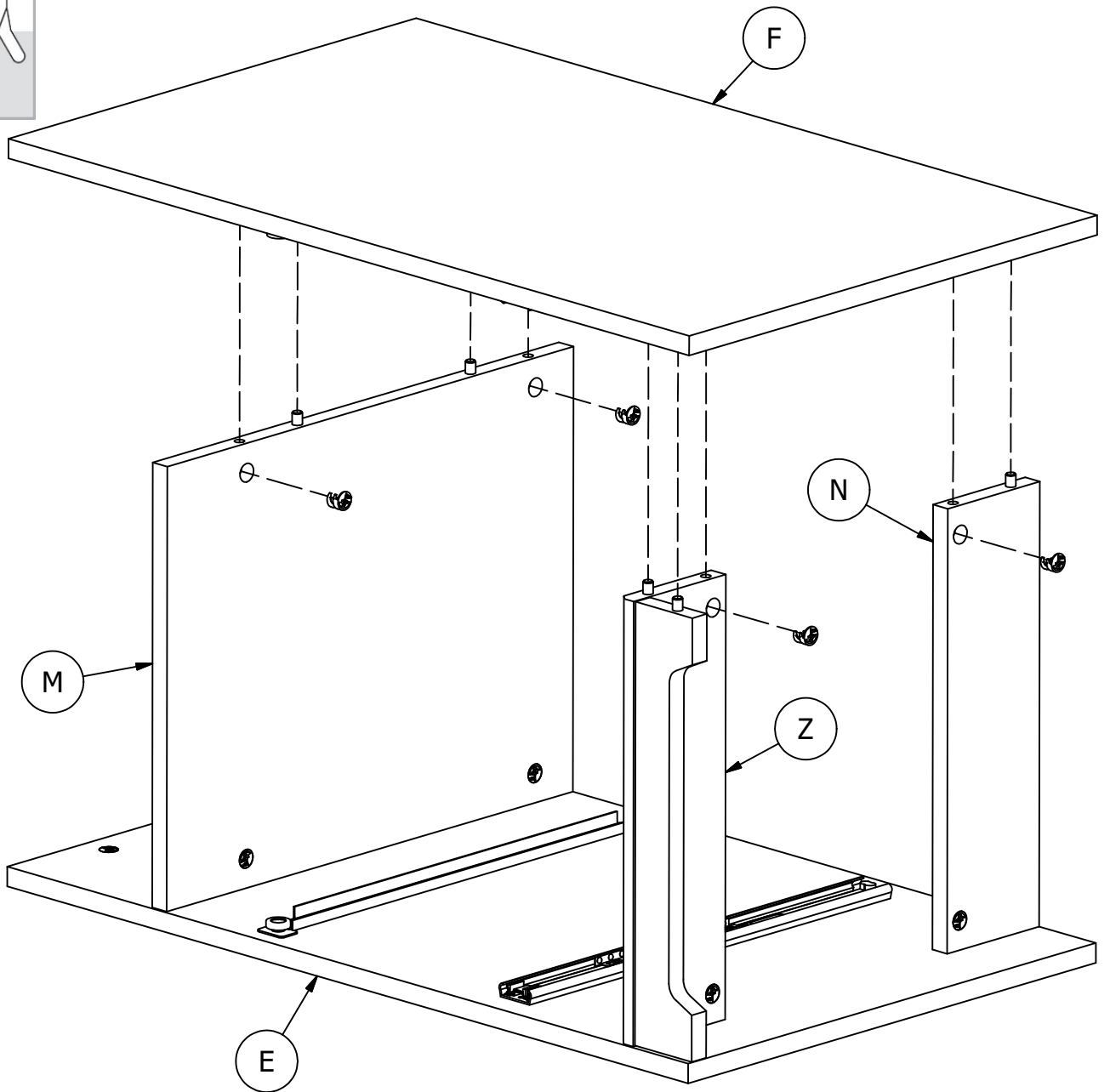
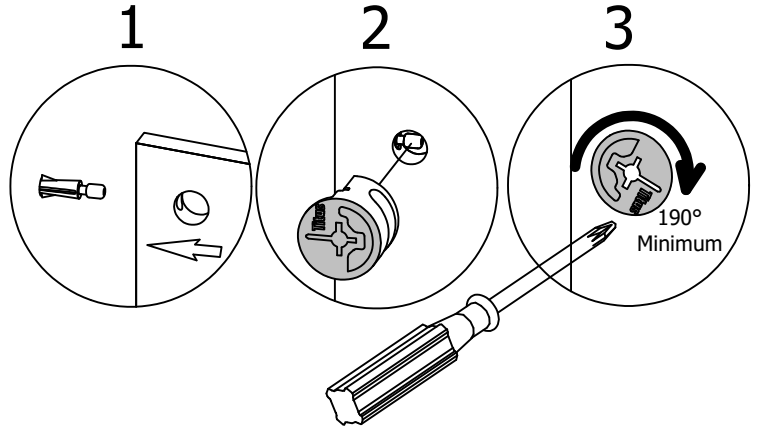


H181468US



KD Cam3000

[4]

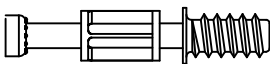



Have an assembly question or need a replacement part? Just call **1-800-950-4782**, we are here to help.

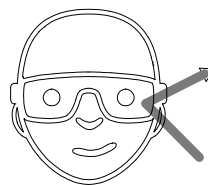
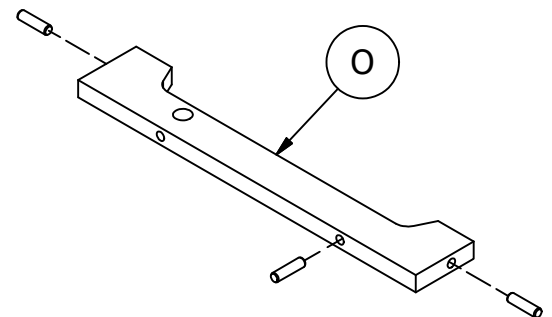
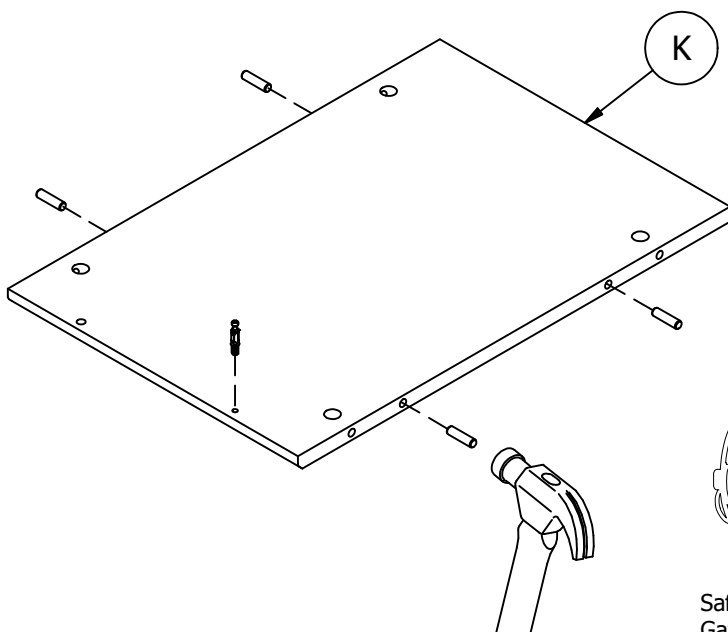
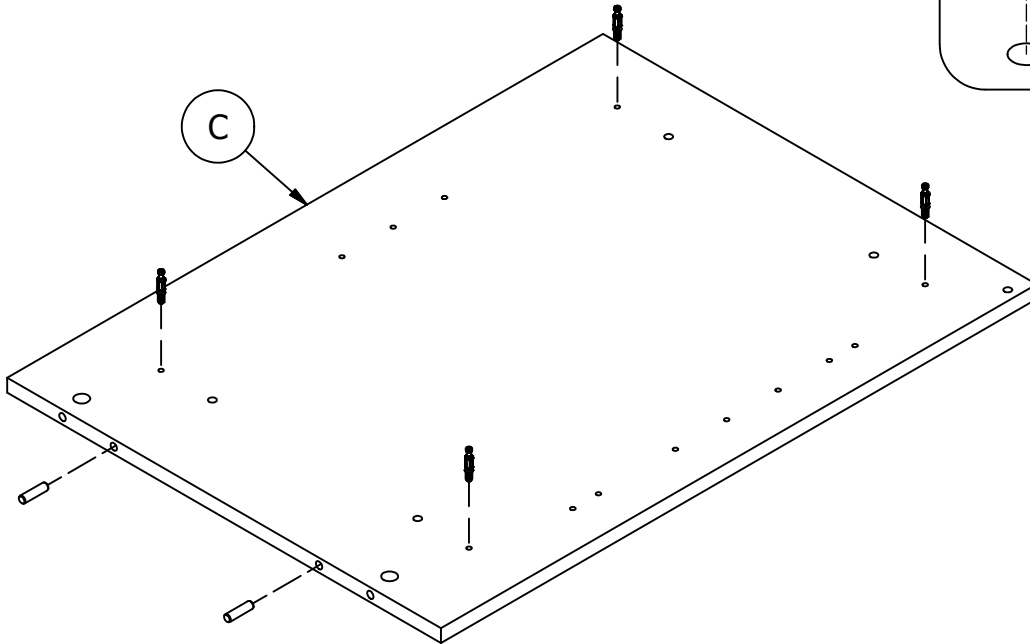
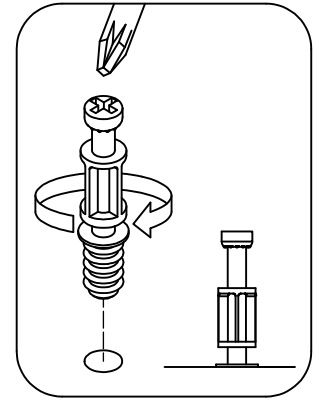
STEP 16

Prepare Panels

A175390H

H72988  [5]
KD Bolt

H38169  [9]
Wood Dowel 8 x 30



Safety glasses
Gafas de seguridad
Lunettes de protection

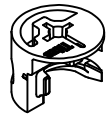
Have an assembly question or need a replacement part? Just call
1-800-950-4782, we are here to help.

Scan QR Code to
Watch Video on:



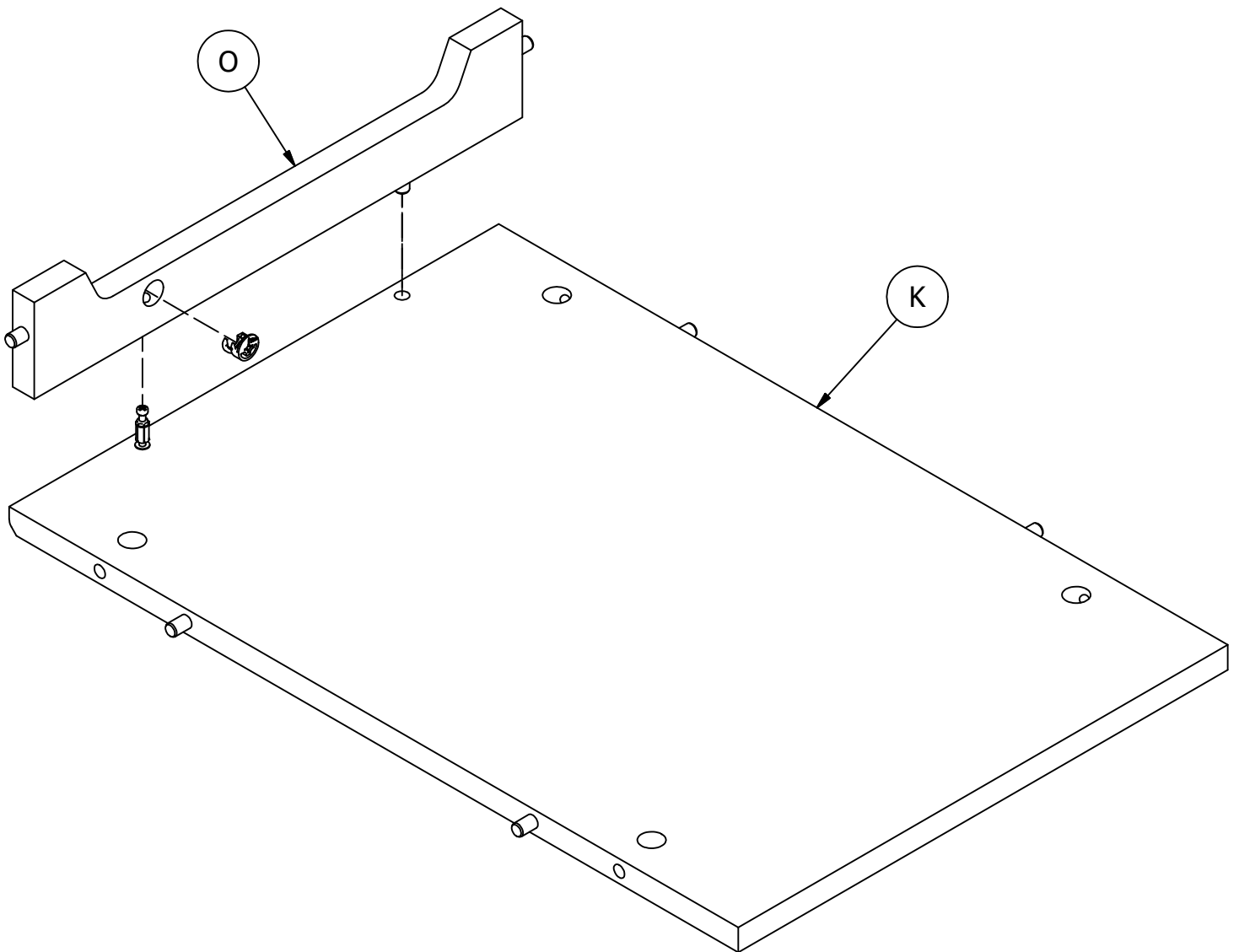
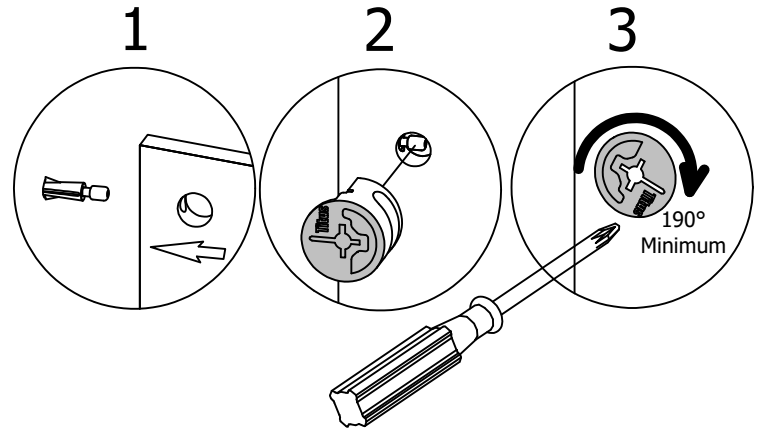
How to Tighten
KD Cams

H181468US



KD Cam3000

[1]

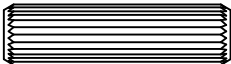


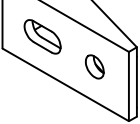
Have an assembly question or need a replacement part? Just call
1-800-950-4782, we are here to help.

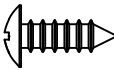
STEP 18


Prepare Panel

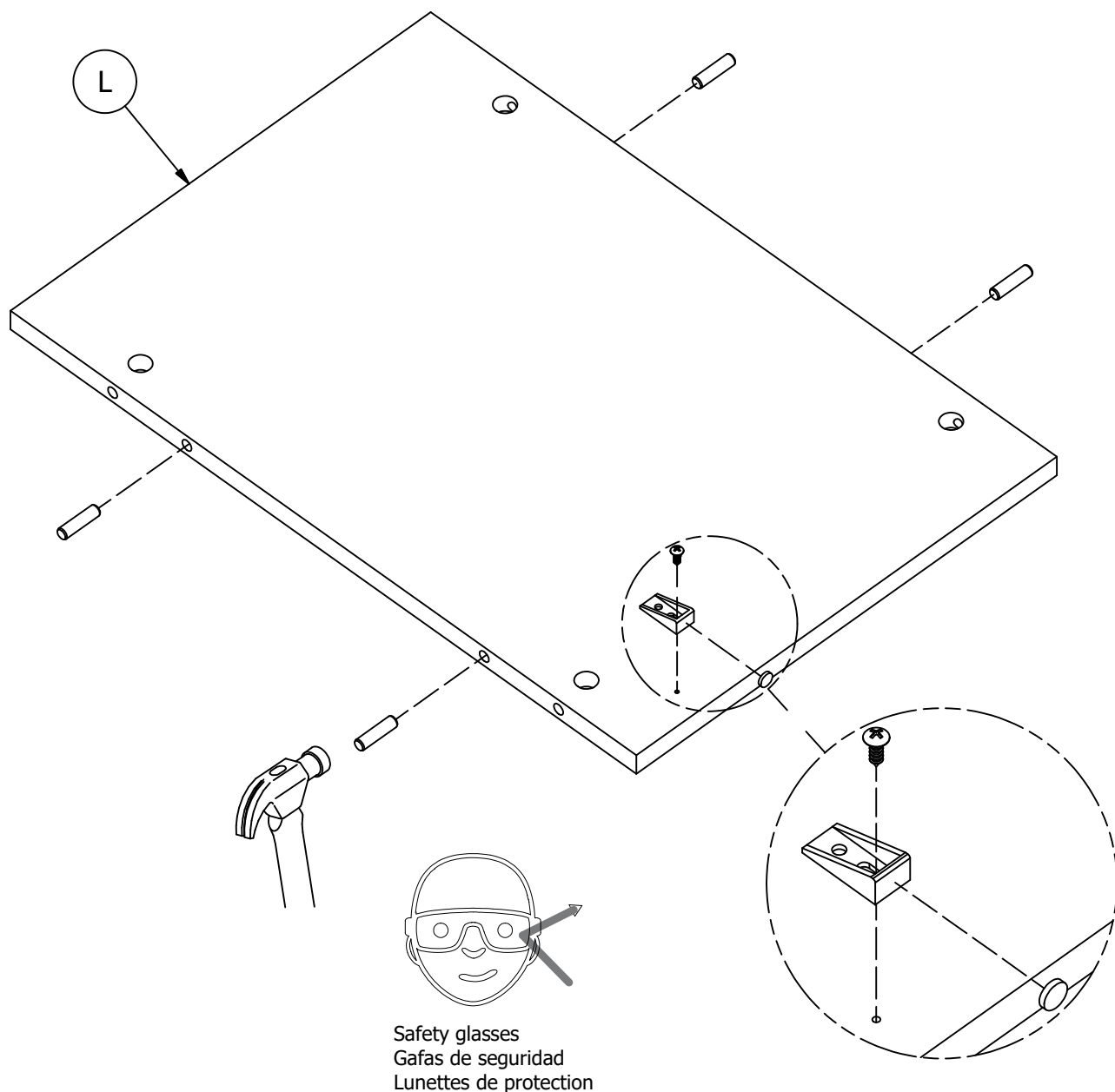
A175390H

H38169  [4]
Wood Dowel 8 x 30

H32024  [1]
Lock Clip

H192100  [1]
#8 x 1/2"

H215406  [1]
Bumper



Have an assembly question or need a replacement part? Just call
1-800-950-4782, we are here to help.

STEP 19

Assemble Panels

A175390H

Scan QR Code to Watch Video on:



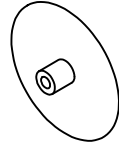
How to Tighten KD Cams

H181468US



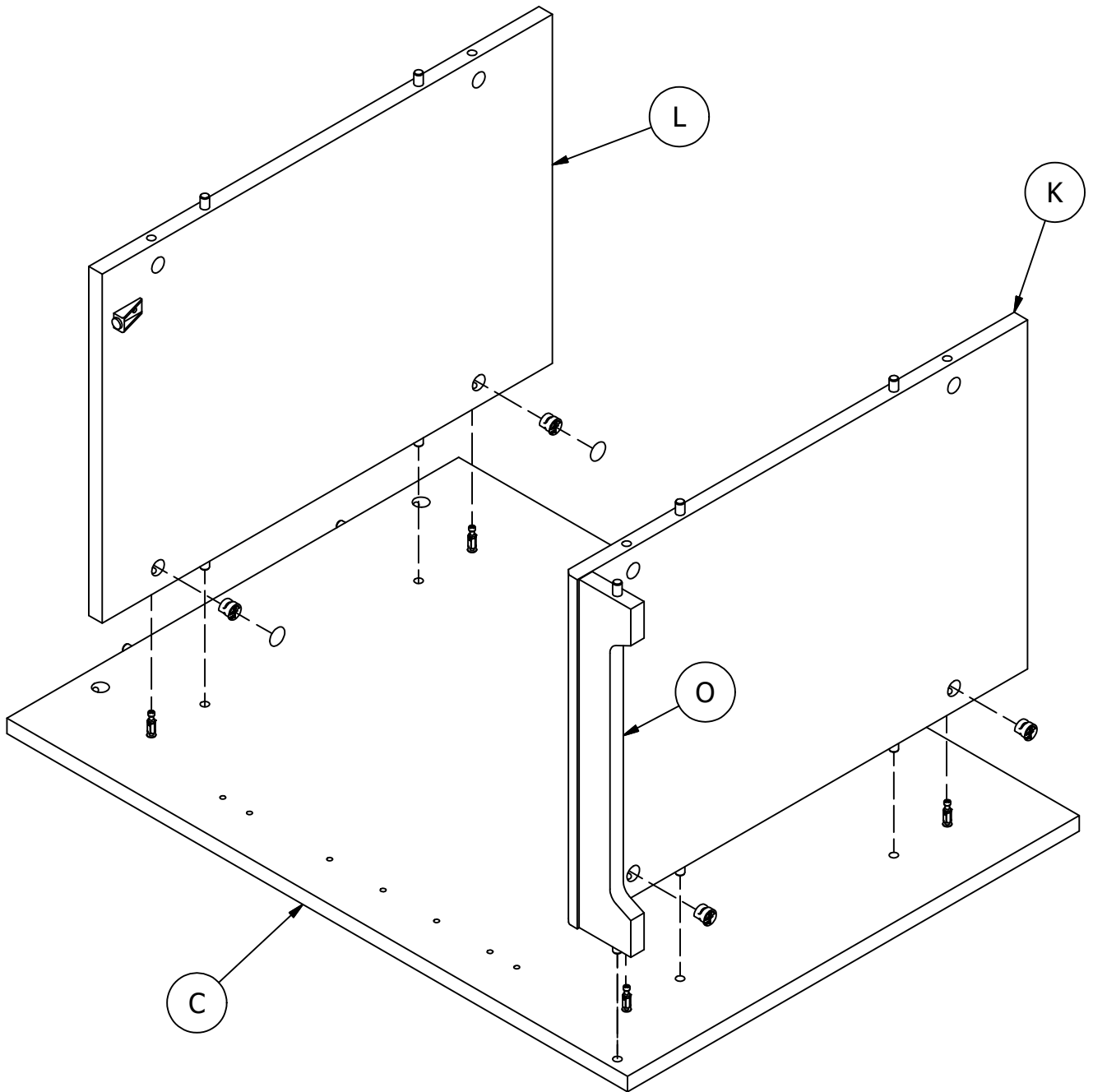
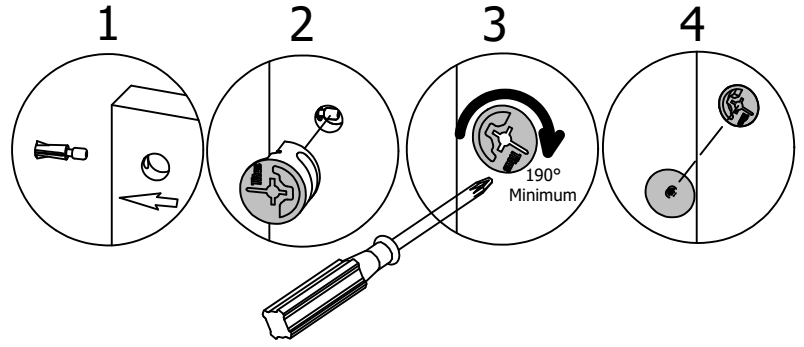
KD Cam3000

[4]



Cover Cap

[2]

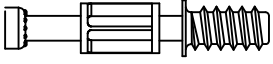


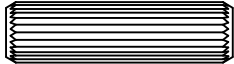
Have an assembly question or need a replacement part? Just call **1-800-950-4782**, we are here to help.

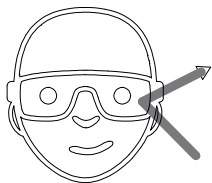
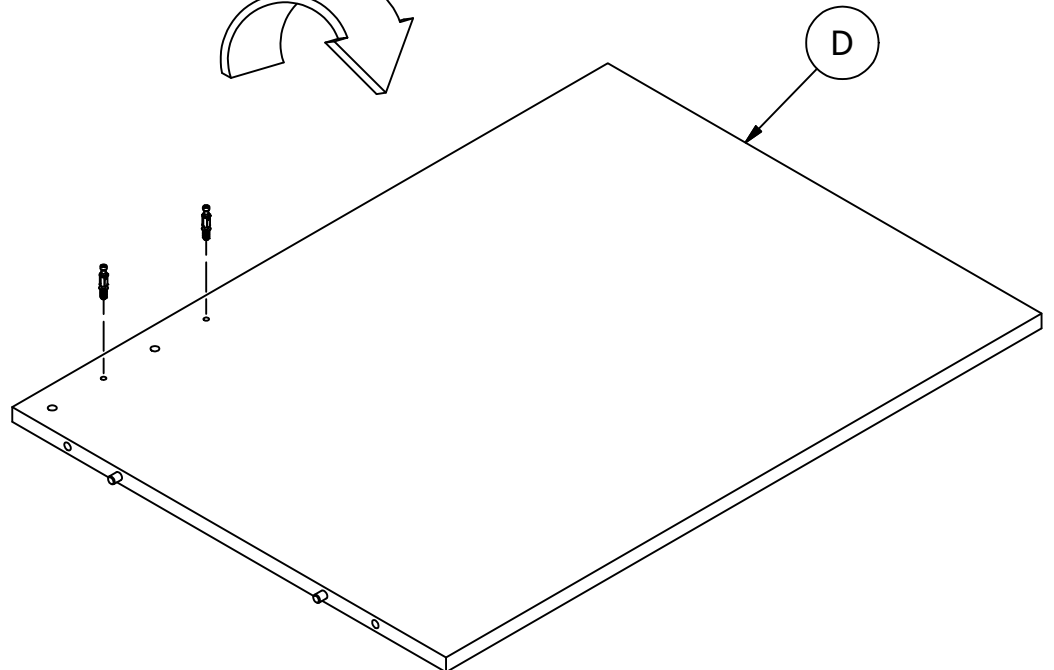
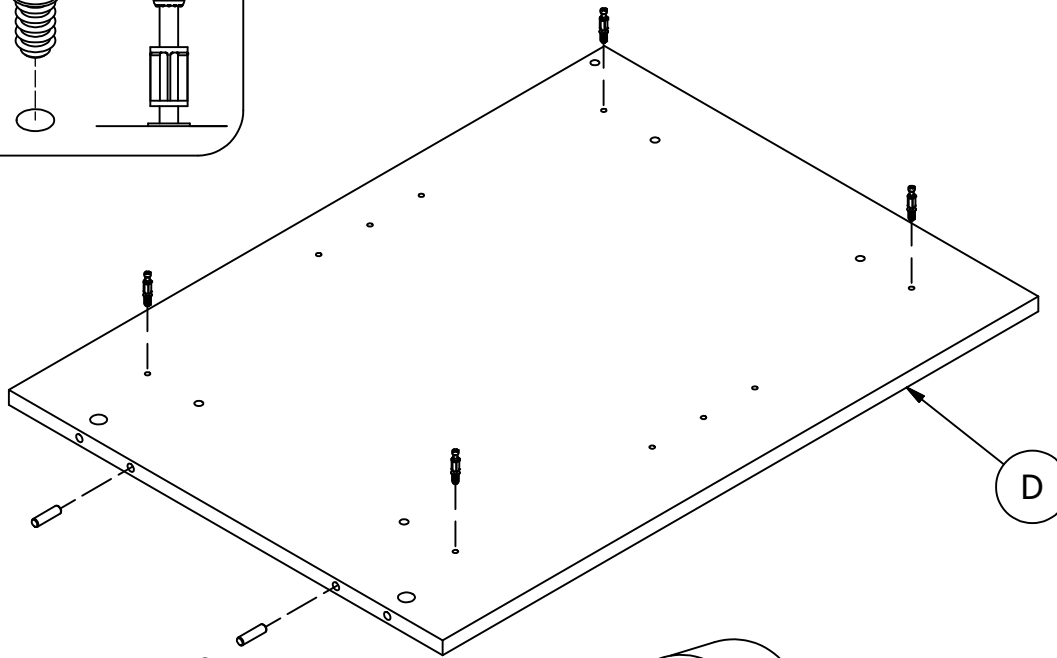
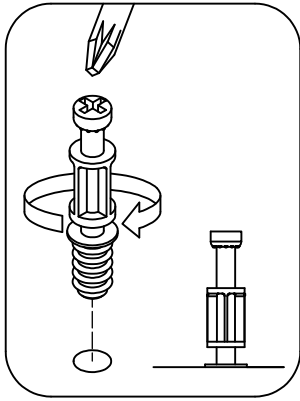
STEP 20

Prepare Panel

A175390H

H72988  [6]
KD Bolt

H38169  [2]
Wood Dowel 8 x 30



Safety glasses
Gafas de seguridad
Lunettes de protection

Have an assembly question or need a replacement part? Just call
1-800-950-4782, we are here to help.

STEP 21

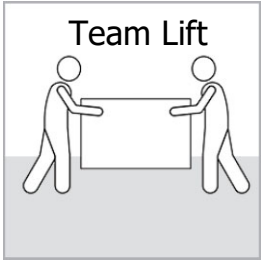
Assemble Panels

A175390H

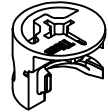
Scan QR Code to Watch Video on:



How to Tighten KD Cams

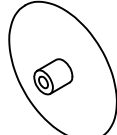


H181468US



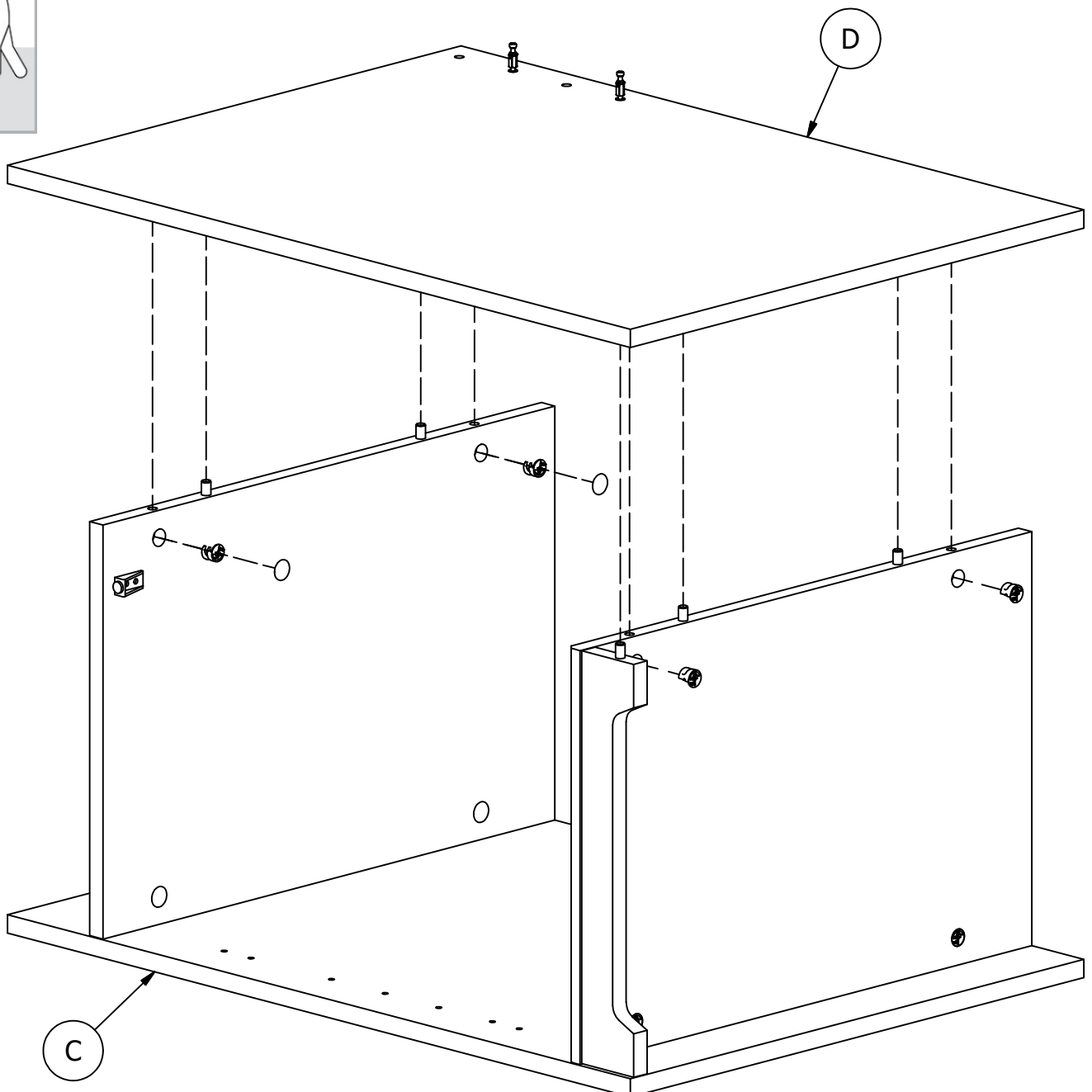
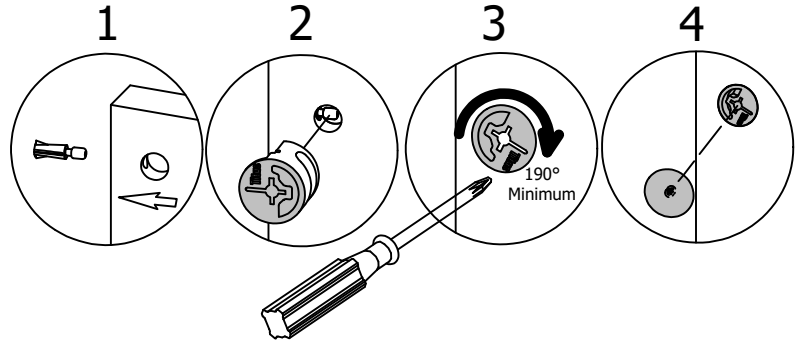
KD Cam3000

[4]



Cover Cap

[2]

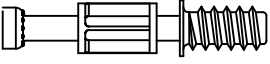


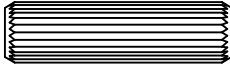
Have an assembly question or need a replacement part? Just call **1-800-950-4782**, we are here to help.

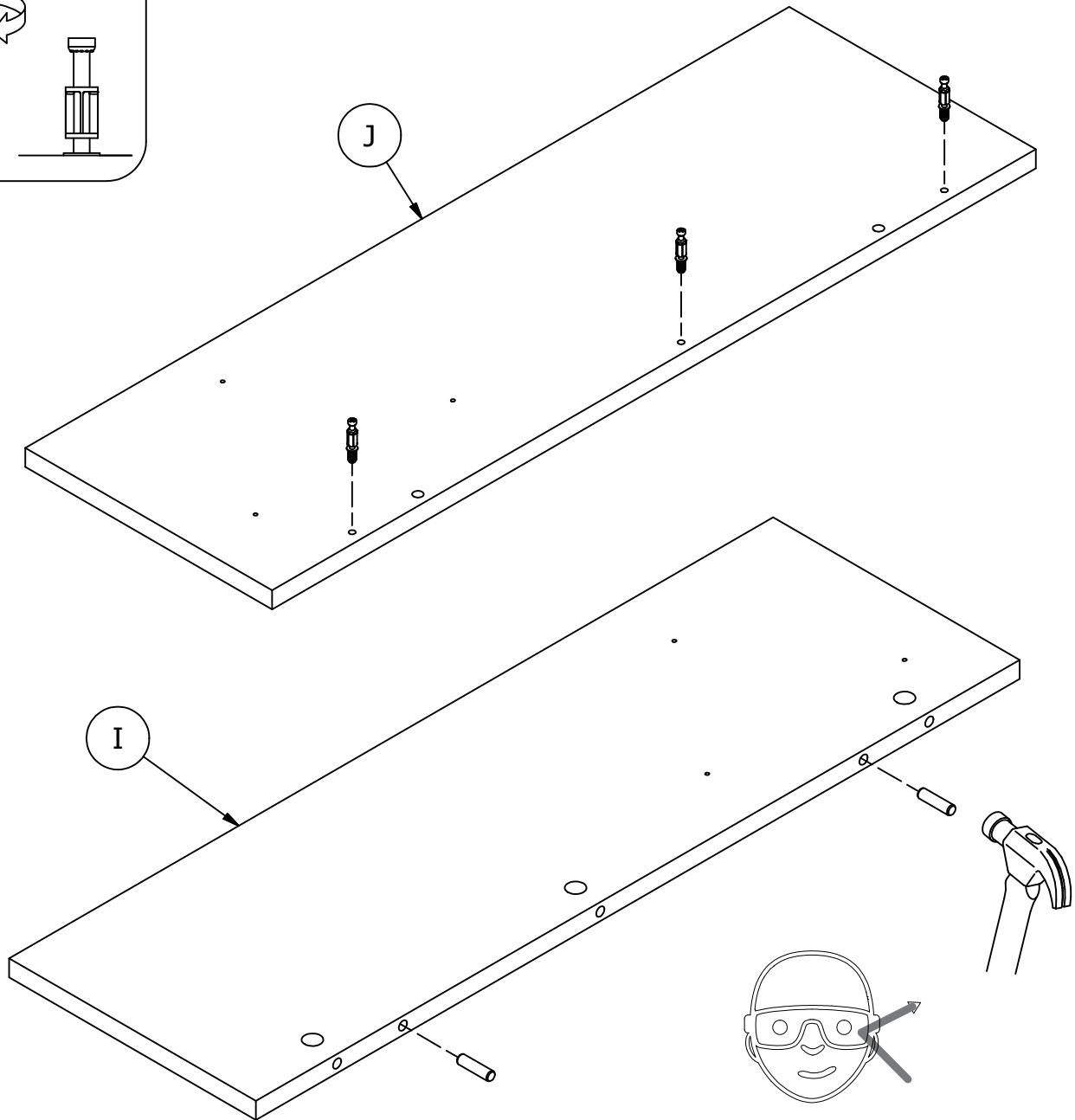
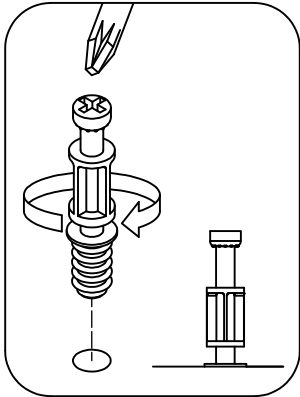
STEP 22

Prepare Panels

A175390H

H72988  [3]
KD Bolt

H38169  [2]
Wood Dowel 8 x 30



Safety glasses
Gafas de seguridad
Lunettes de protection

Have an assembly question or need a replacement part? Just call
1-800-950-4782, we are here to help.

Scan QR Code to Watch Video on:

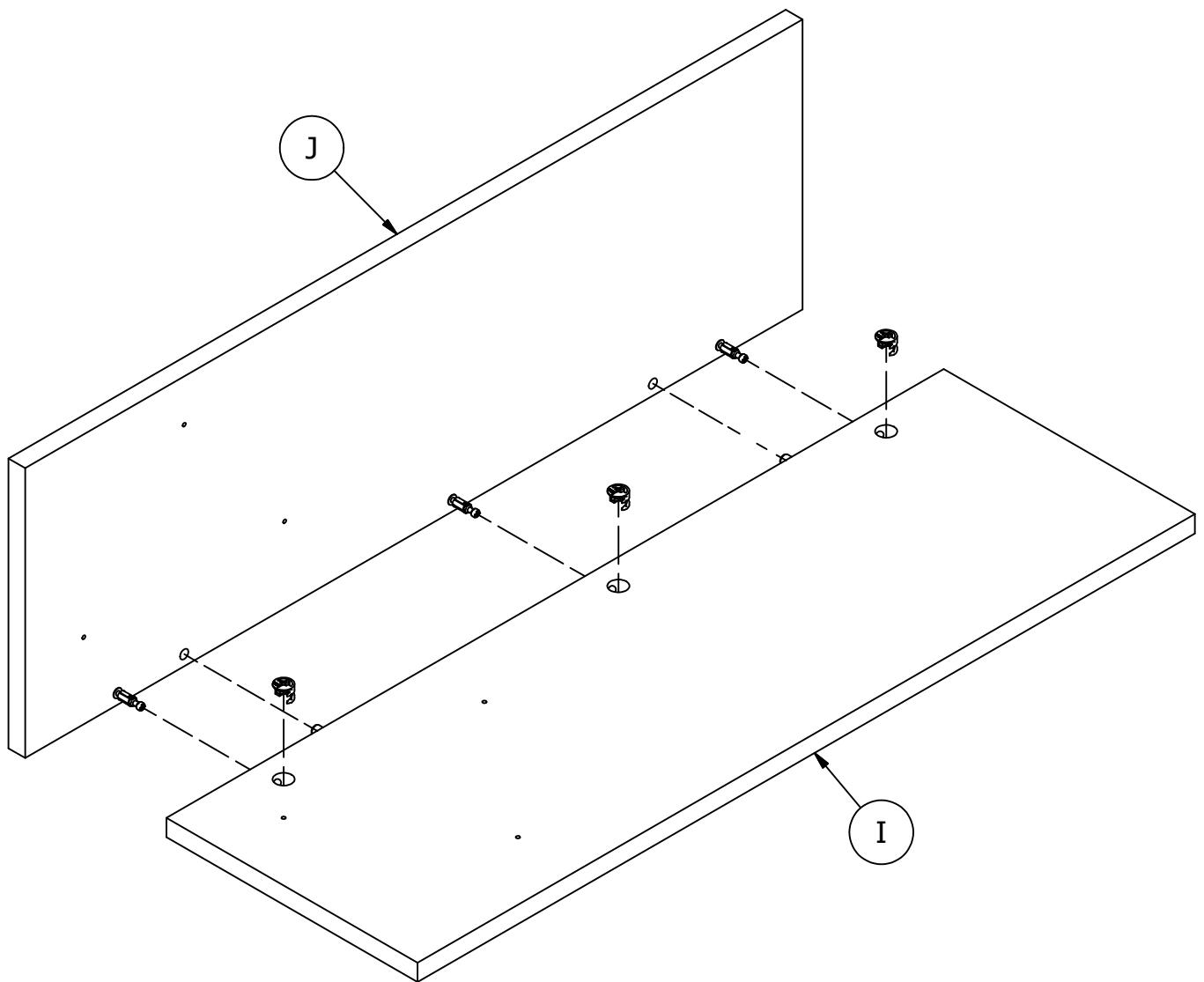
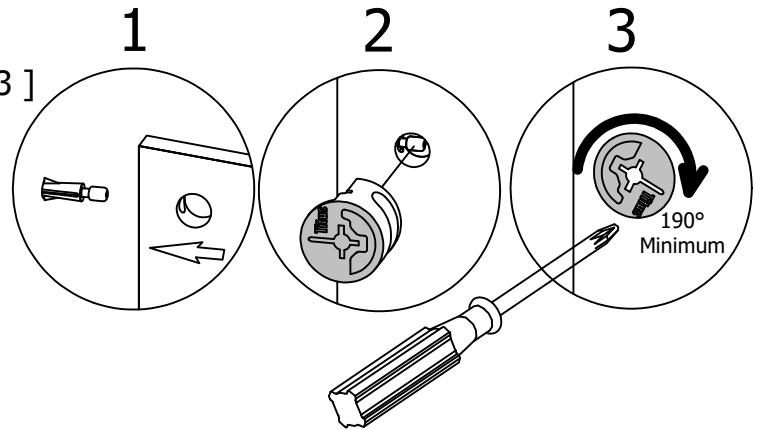


How to Tighten KD Cams

H181468US



[3]



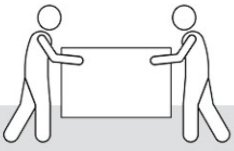
Have an assembly question or need a replacement part? Just call **1-800-950-4782**, we are here to help.

STEP 24

Prepare & Assemble Panels

A175390H

Team Lift

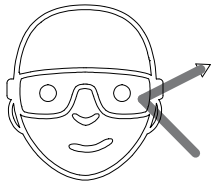


H38169

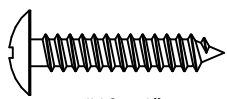
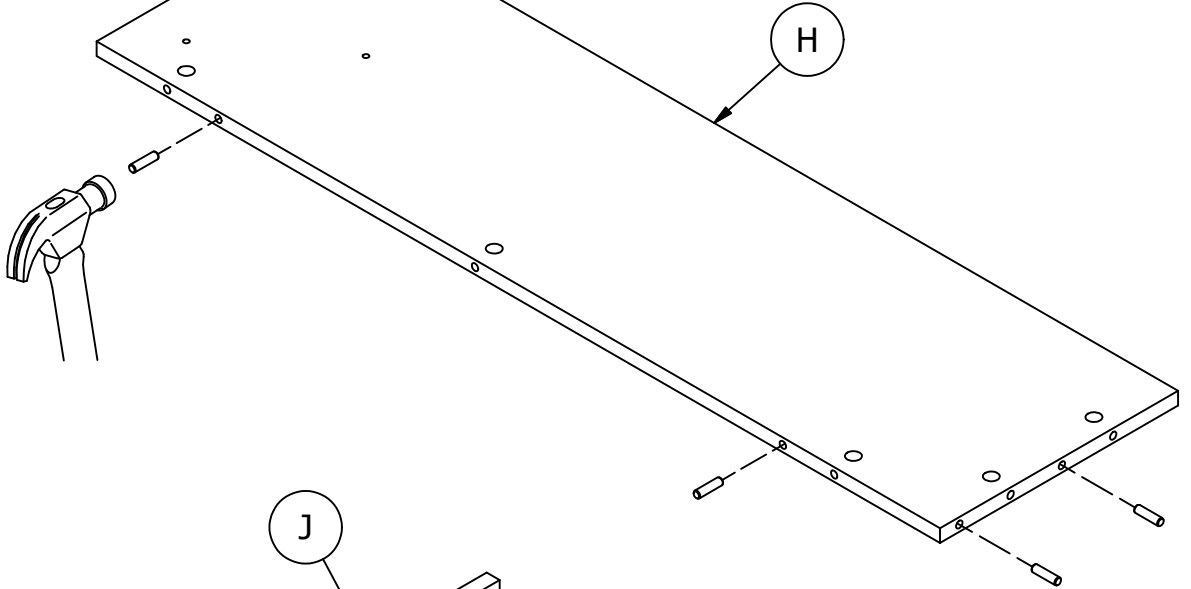


[4]

Wood Dowel 8 x 30

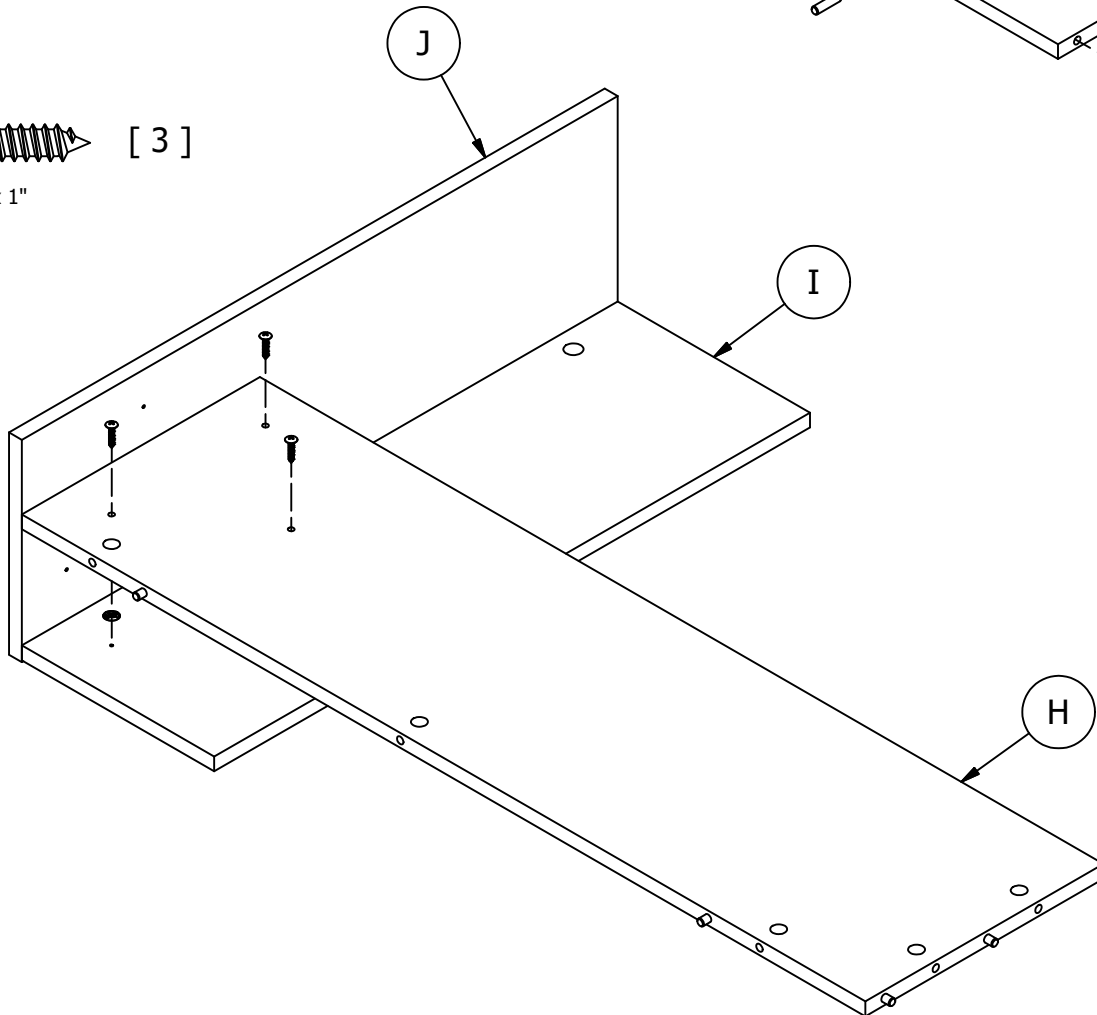


Safety glasses
Gafas de seguridad
Lunettes de protection



[3]

#10 x 1"



Have an assembly question or need a replacement part? Just call
1-800-950-4782, we are here to help.

STEP 25

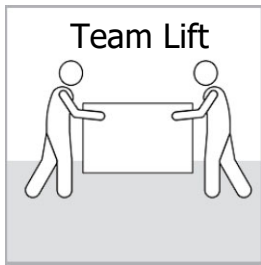
Assemble Panels

A175390H

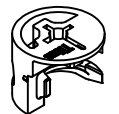
Scan QR Code to Watch Video on:



How to Tighten KD Cams

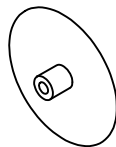


H181468US



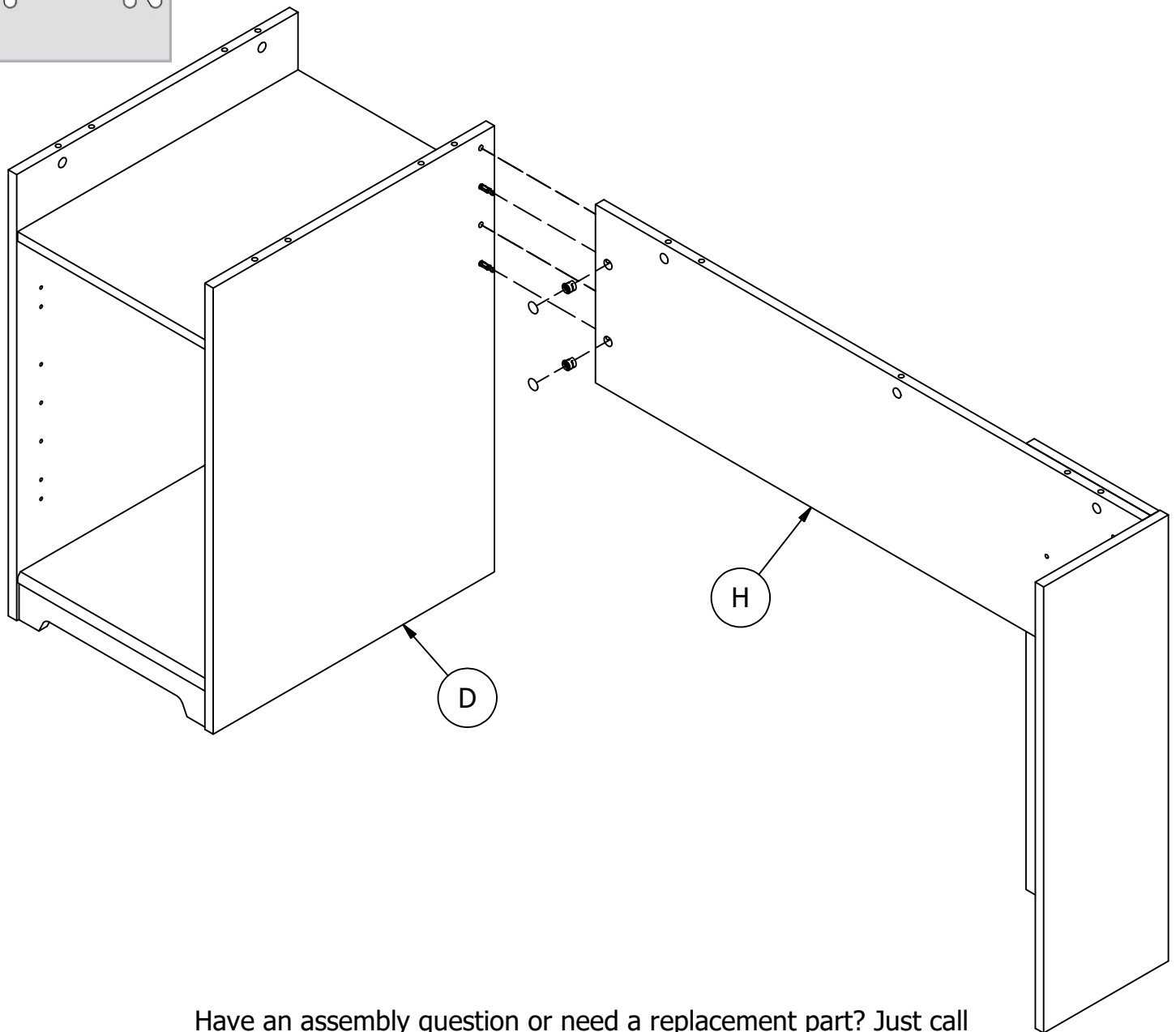
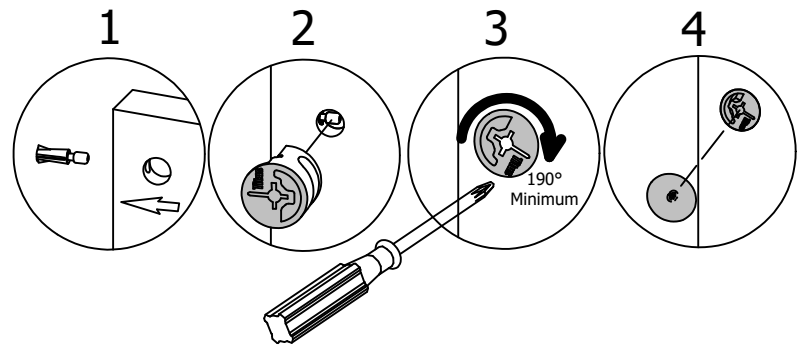
KD Cam3000

[2]



Cover Cap

[2]



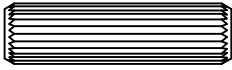
Have an assembly question or need a replacement part? Just call **1-800-950-4782**, we are here to help.

STEP 26

Prepare Panel

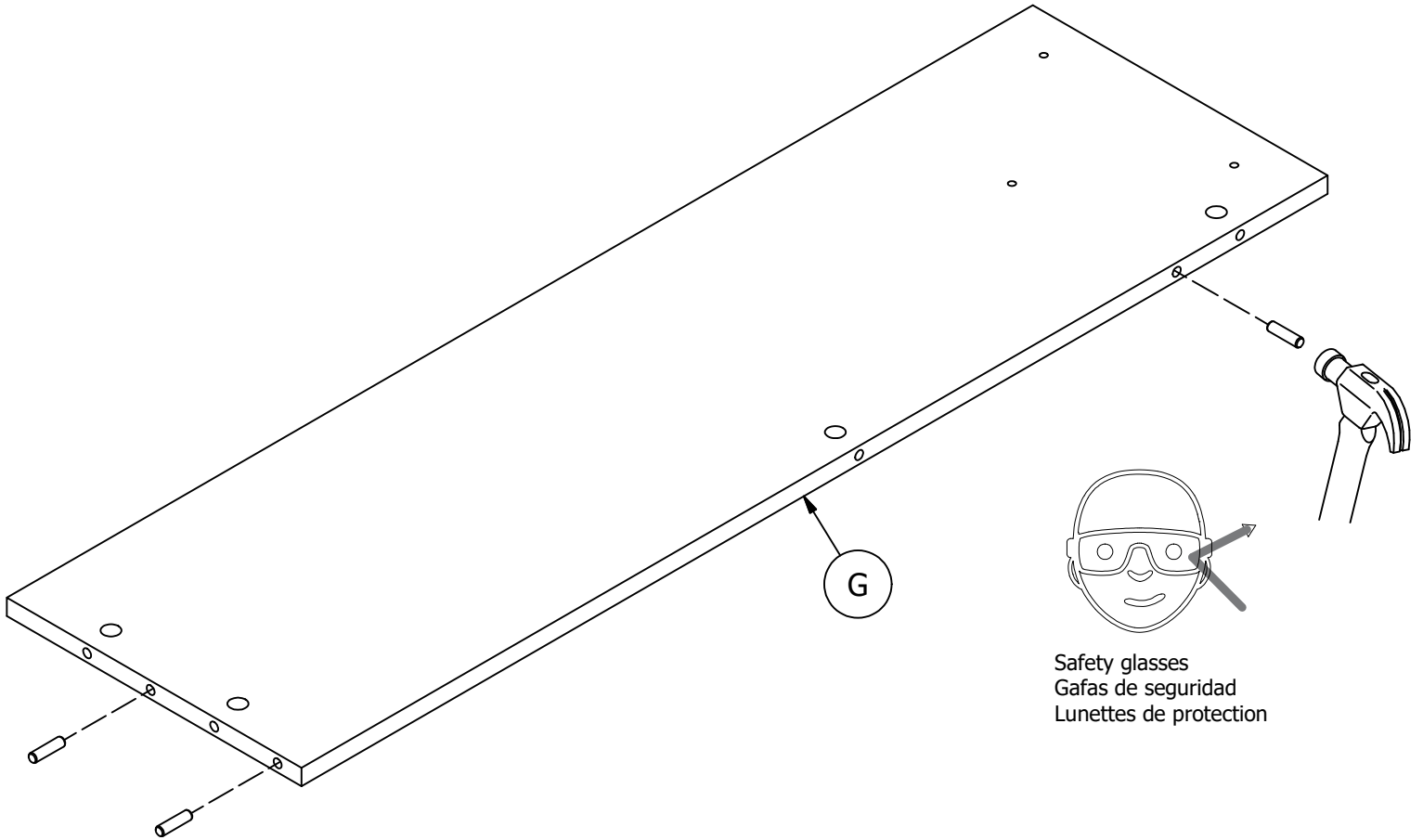
A175390H

H38169



[3]

Wood Dowel 8 x 30



Safety glasses
Gafas de seguridad
Lunettes de protection

Have an assembly question or need a replacement part? Just call
1-800-950-4782, we are here to help.

STEP 27

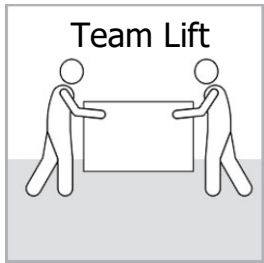
Assemble Panels

A175390H

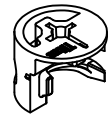
Scan QR Code to Watch Video on:



How to Tighten KD Cams

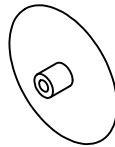


H181468US



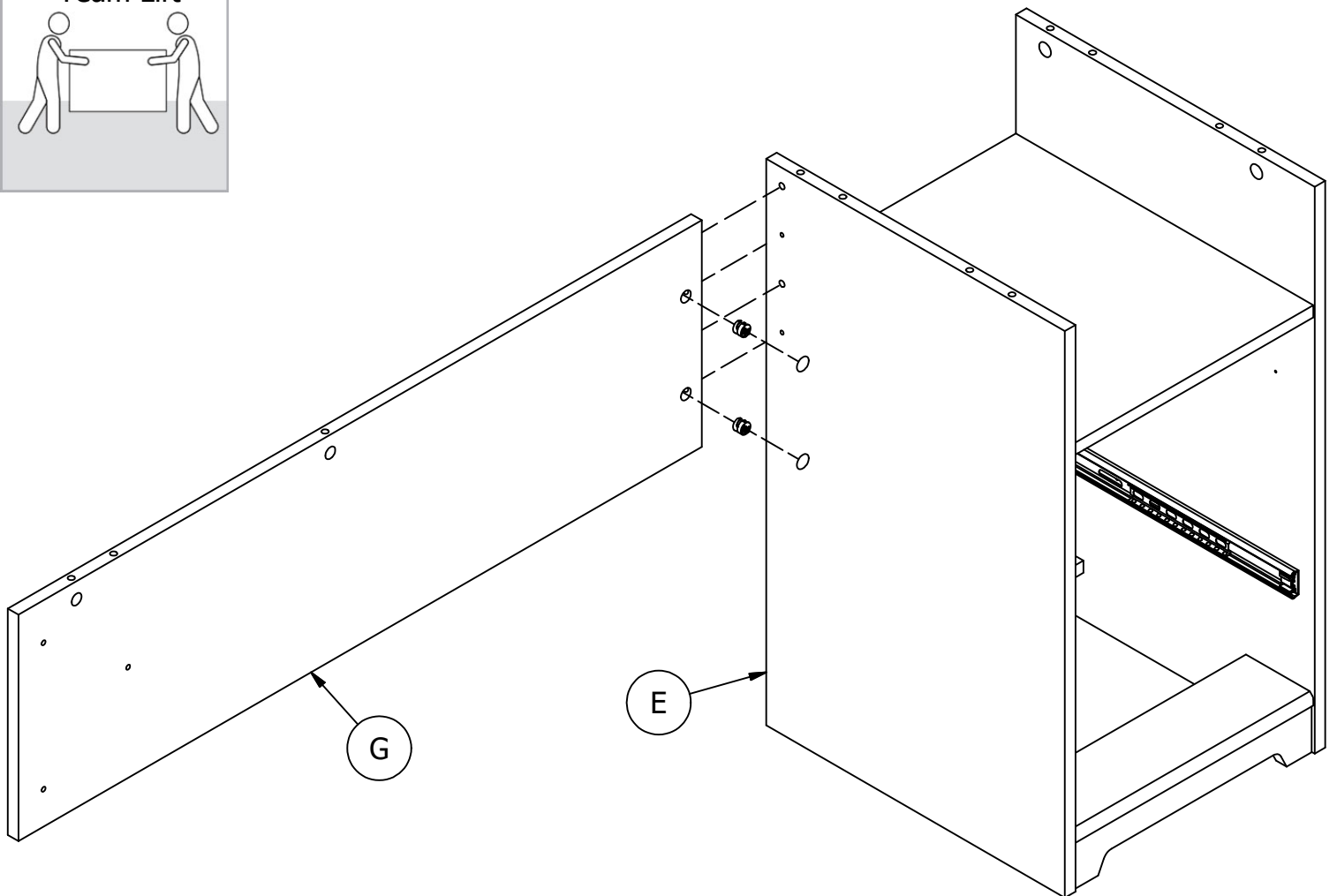
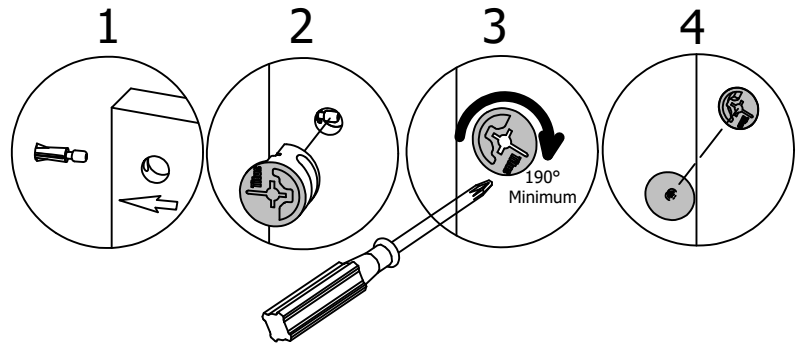
KD Cam3000

[2]



Cover Cap

[2]

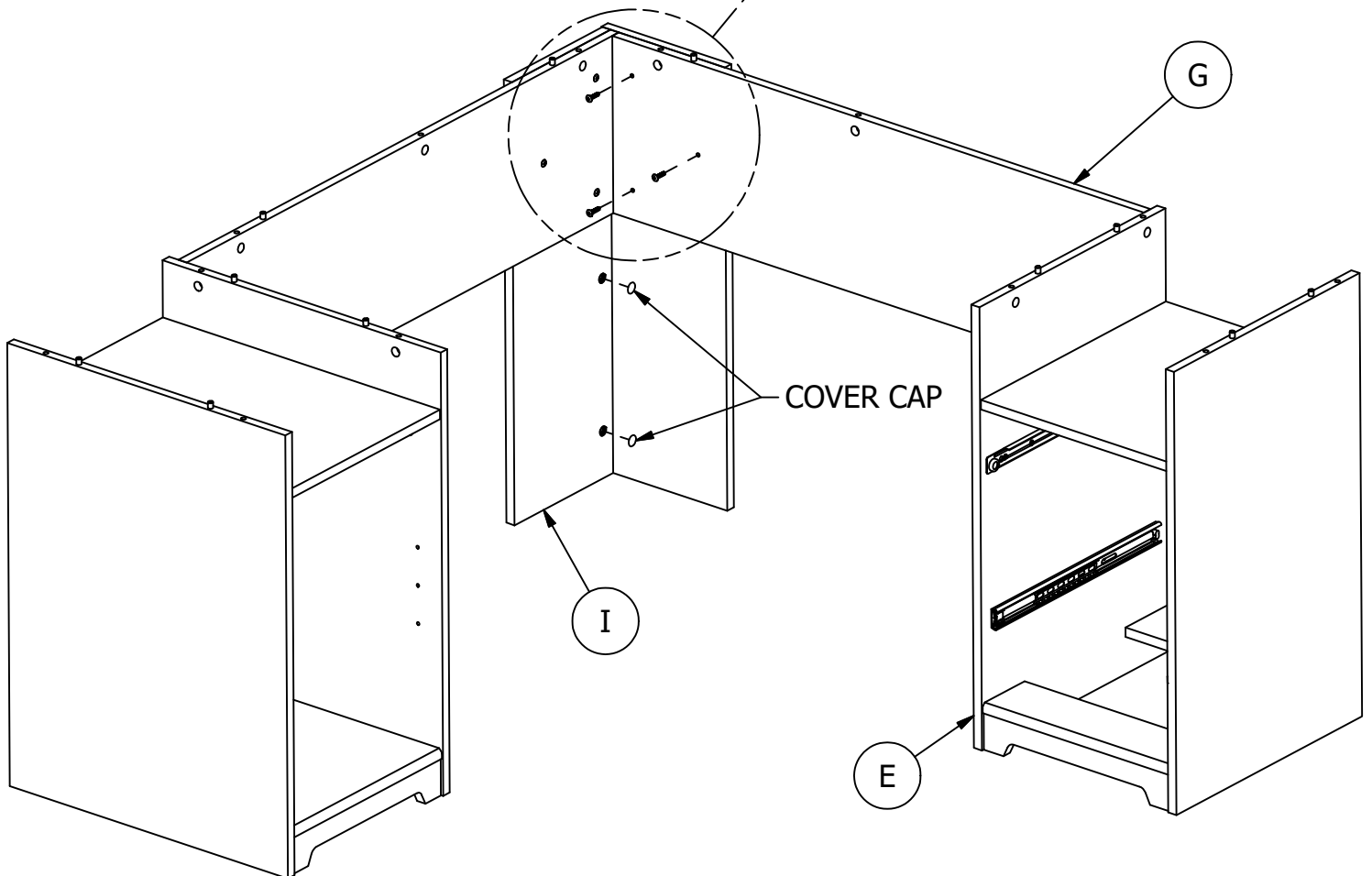
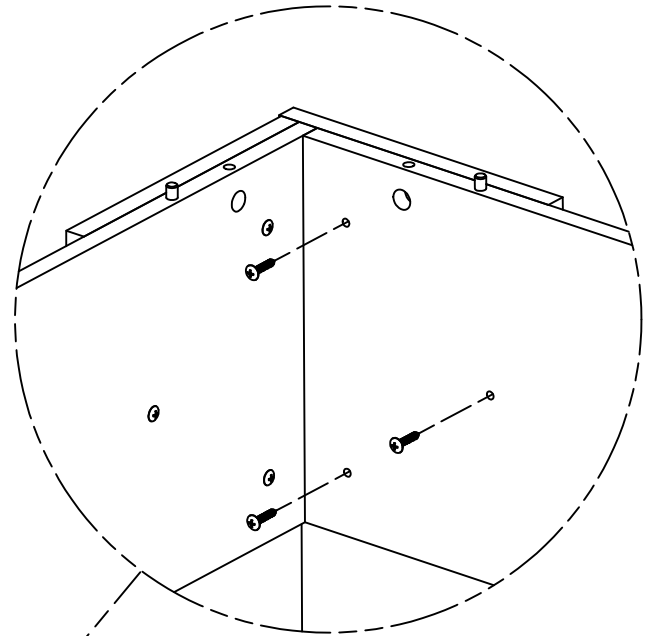
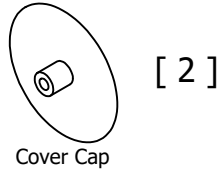
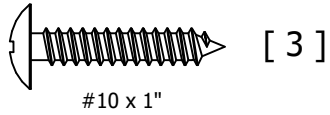
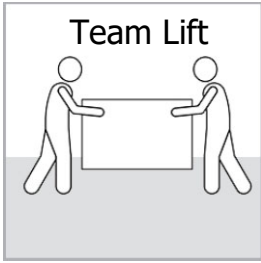


Have an assembly question or need a replacement part? Just call **1-800-950-4782**, we are here to help.

STEP 28

Assemble Panels

A175390H



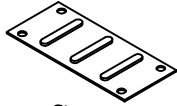
Have an assembly question or need a replacement part? Just call
1-800-950-4782, we are here to help.

STEP 29

Prepare Panels

A175390H

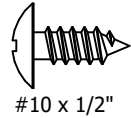
H39922



Strap

[2]

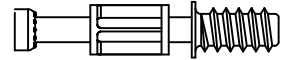
H35251



#10 x 1/2"

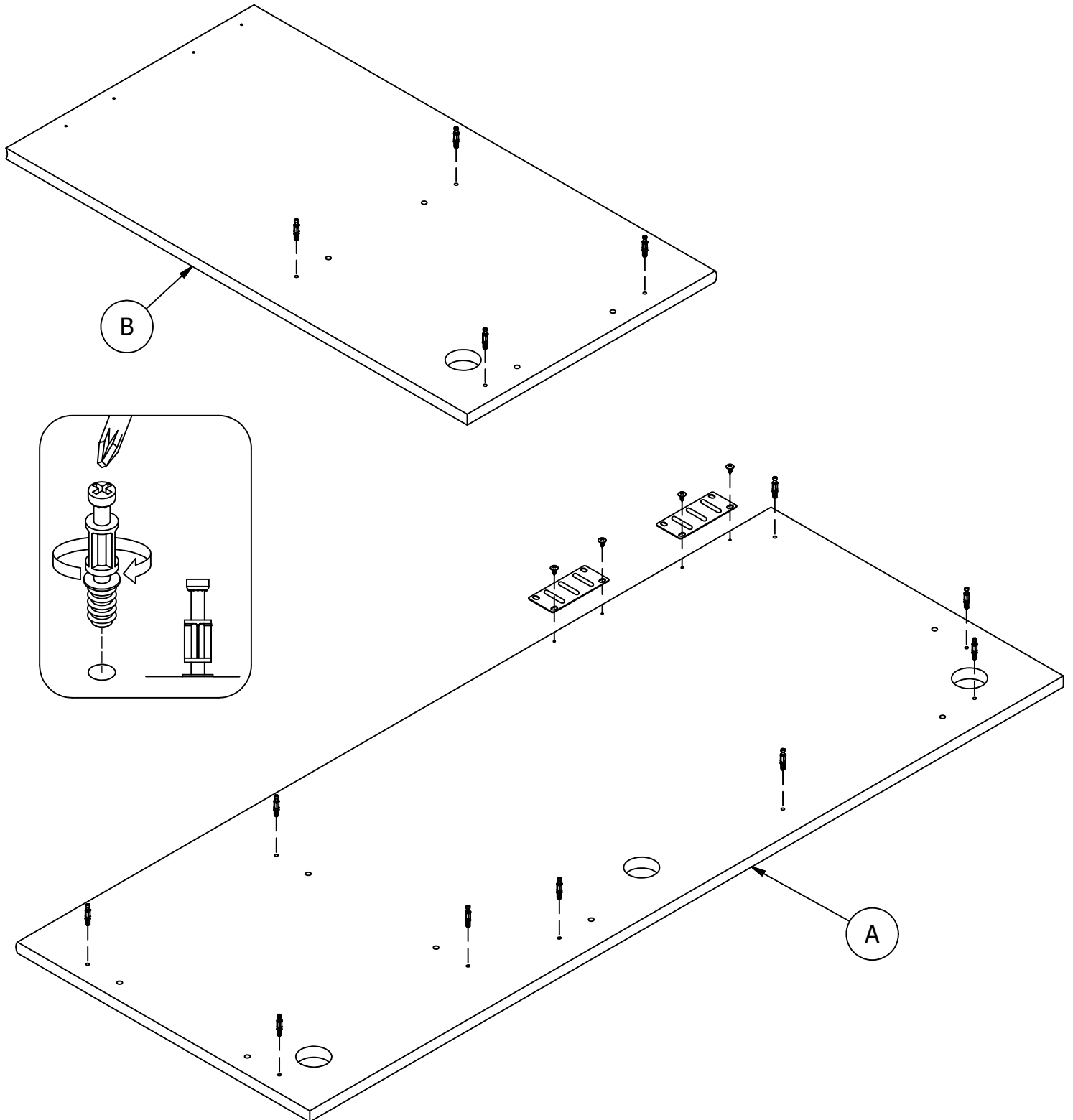
[4]

H72988



KD Bolt

[13]



Have an assembly question or need a replacement part? Just call
1-800-950-4782, we are here to help.

STEP 30

Assemble Panels

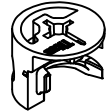
A175390H

Scan QR Code to Watch Video on:



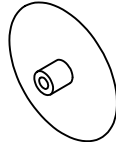
How to Tighten KD Cams

H181468US



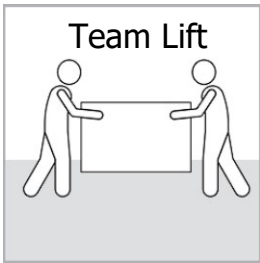
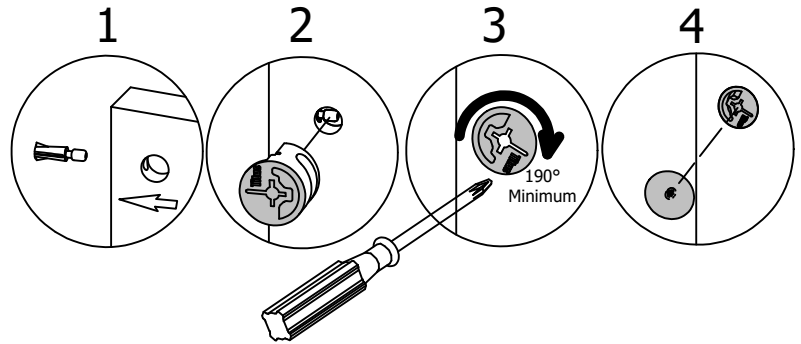
KD Cam3000

[9]

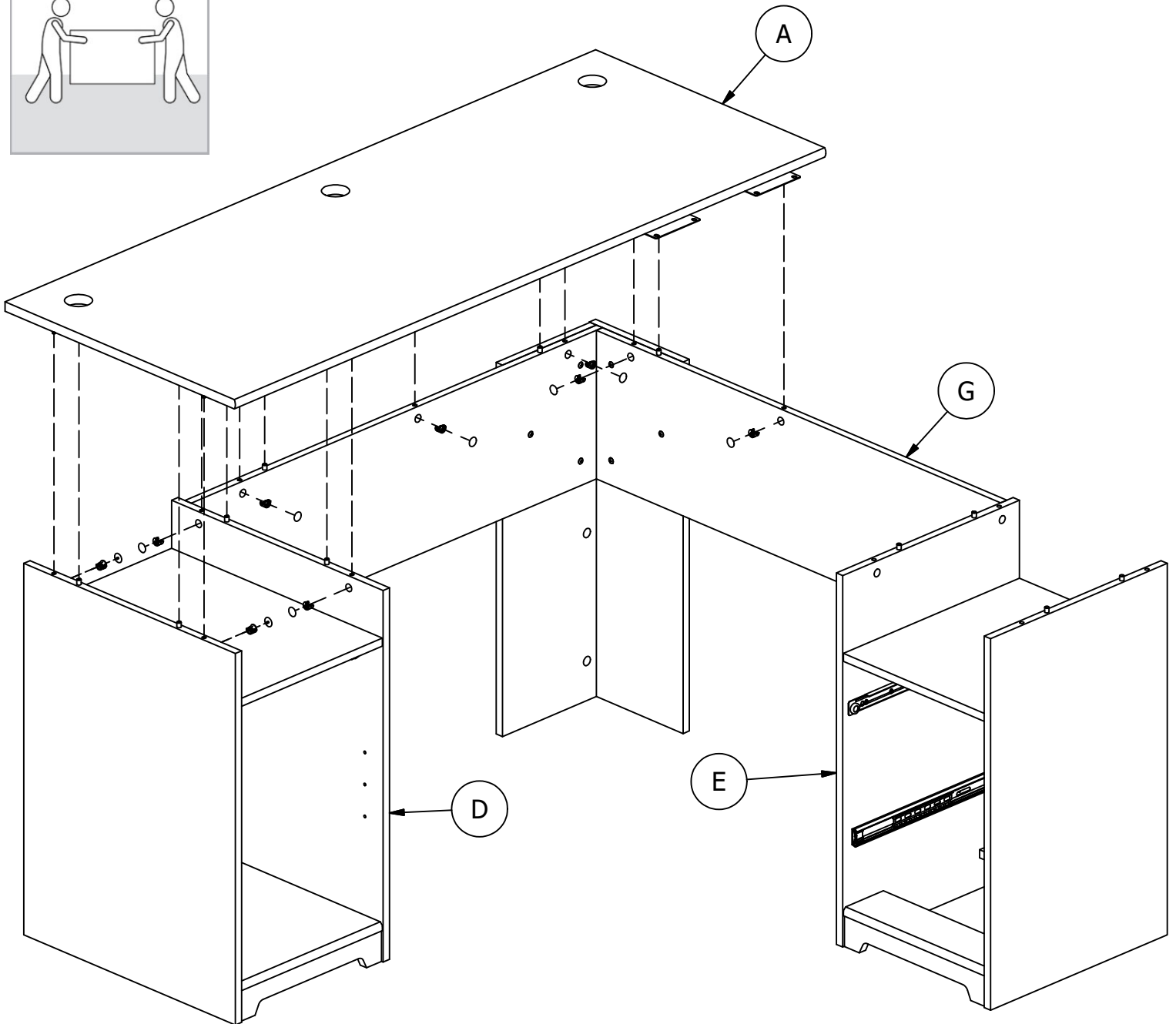


Cover Cap

[9]



Team Lift



Have an assembly question or need a replacement part? Just call **1-800-950-4782**, we are here to help.

STEP 31

Assemble Panels

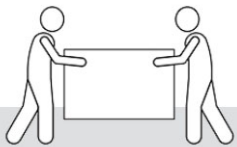
A175390H

Scan QR Code to Watch Video on:



How to Tighten KD Cams

Team Lift

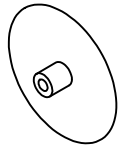


H181468US



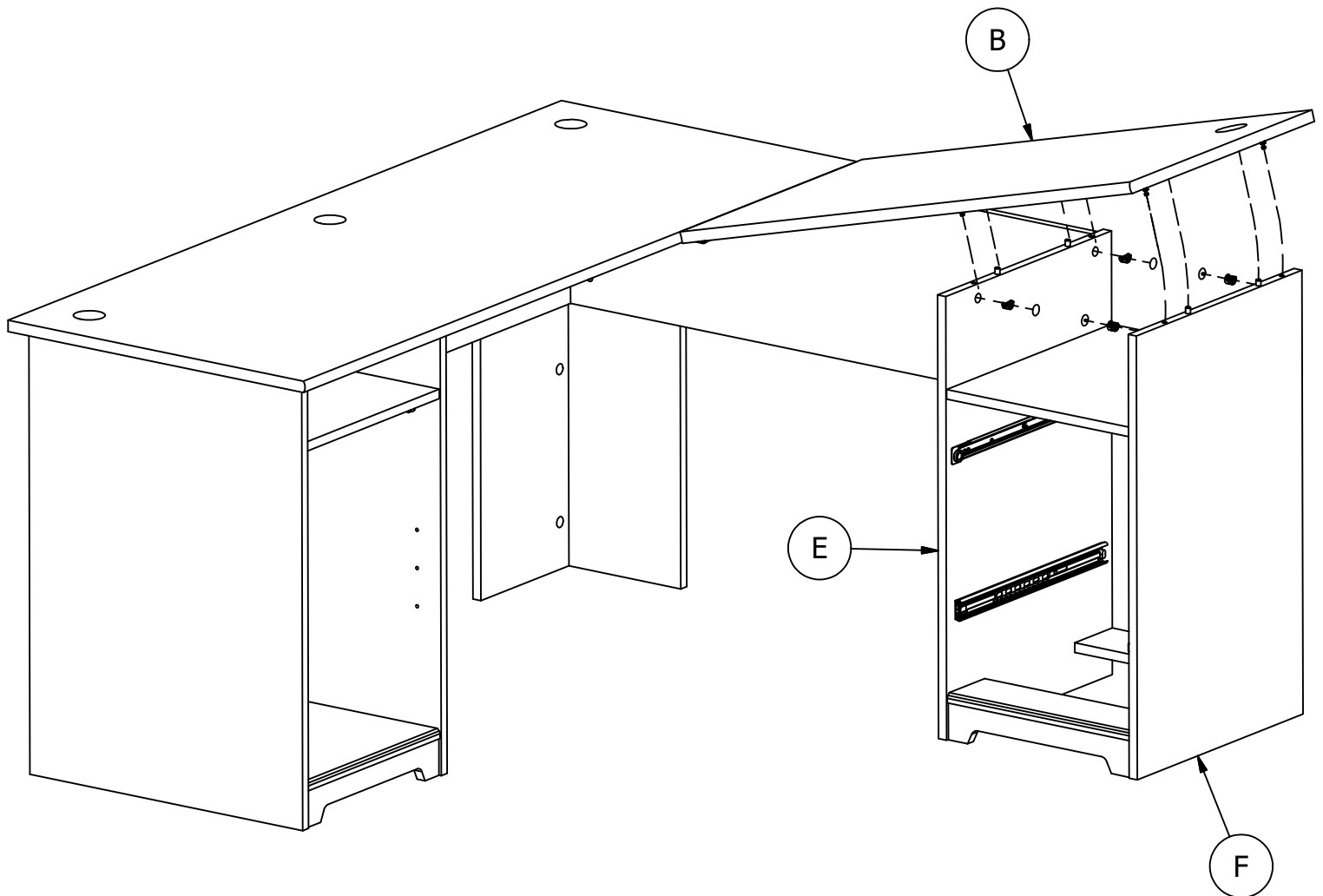
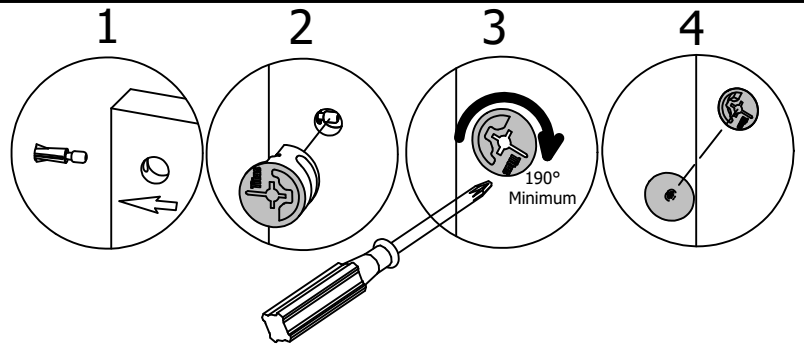
KD Cam3000

[4]



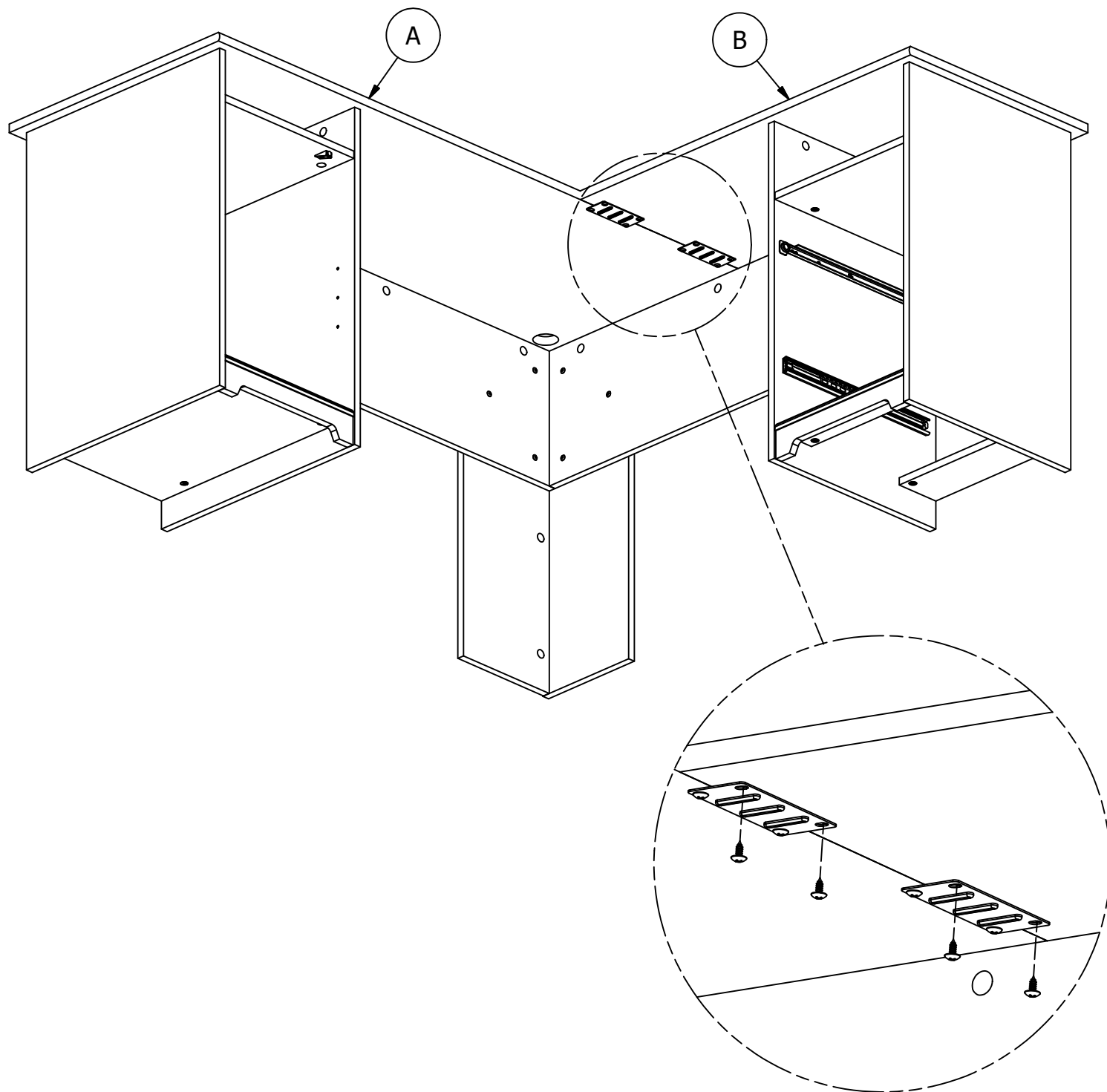
Cover Cap

[4]



Have an assembly question or need a replacement part? Just call **1-800-950-4782**, we are here to help.

H35251 [4]
#10 x 1/2"

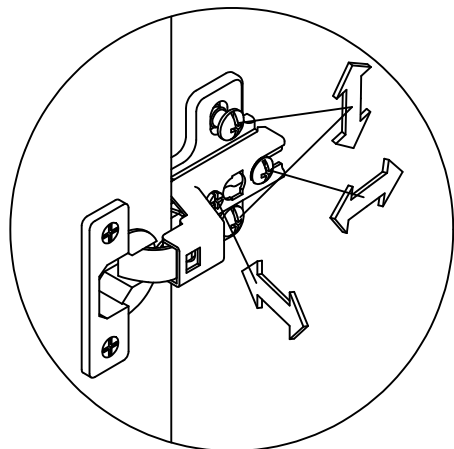
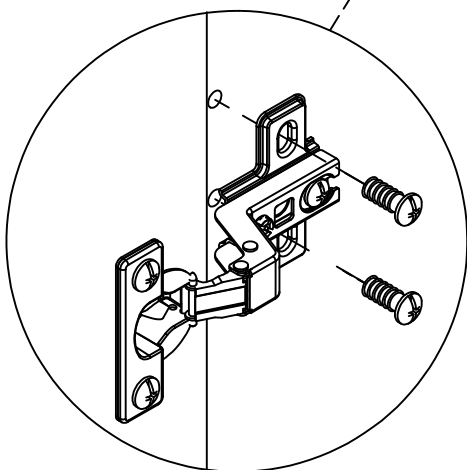
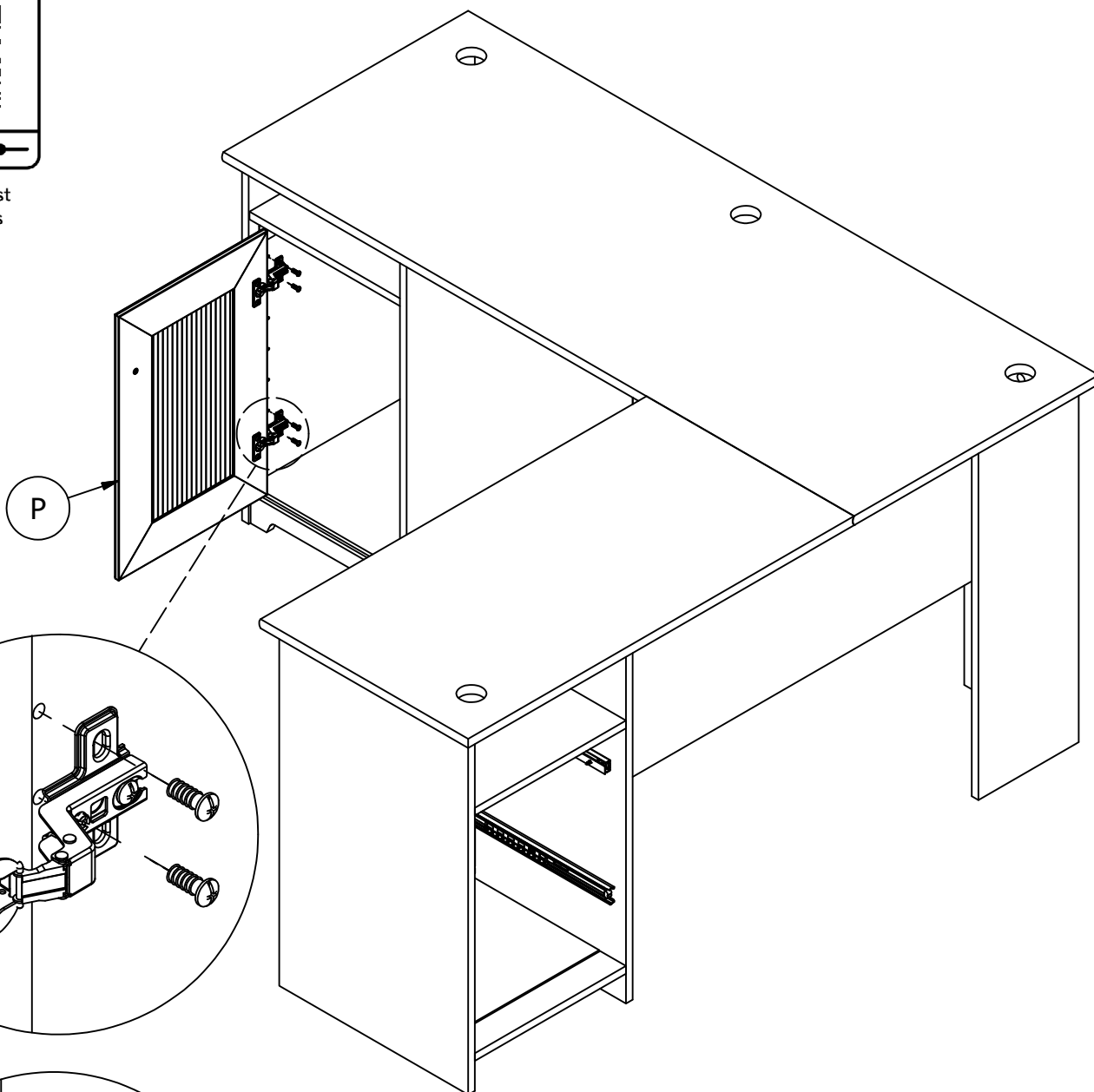


Have an assembly question or need a replacement part? Just call
1-800-950-4782, we are here to help.

Scan QR Code to
Watch Video on:



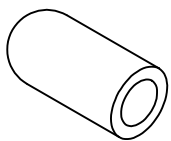
How to Adjust
Door Hinges



Adjustment
Ajuste
Ajustement

Have an assembly question or need a replacement part? Just call
1-800-950-4782, we are here to help.

H126396



Shelf Pin Sleeve

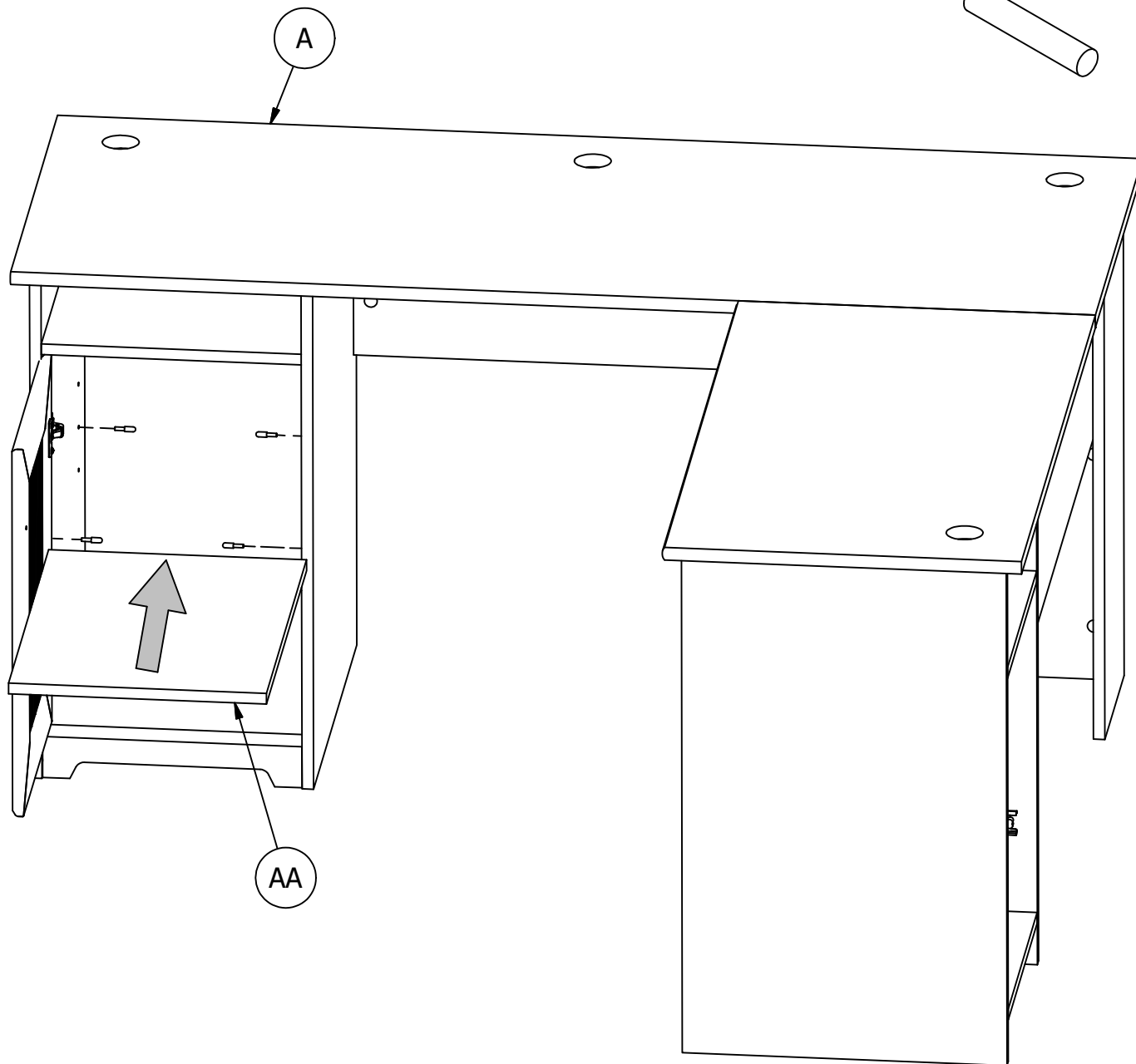
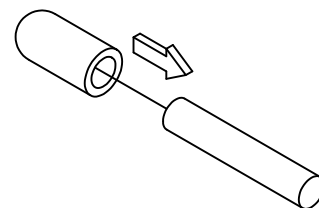
[4]

H23604



Shelf Pin

[4]



Have an assembly question or need a replacement part? Just call **1-800-950-4782**, we are here to help.

STEP 35

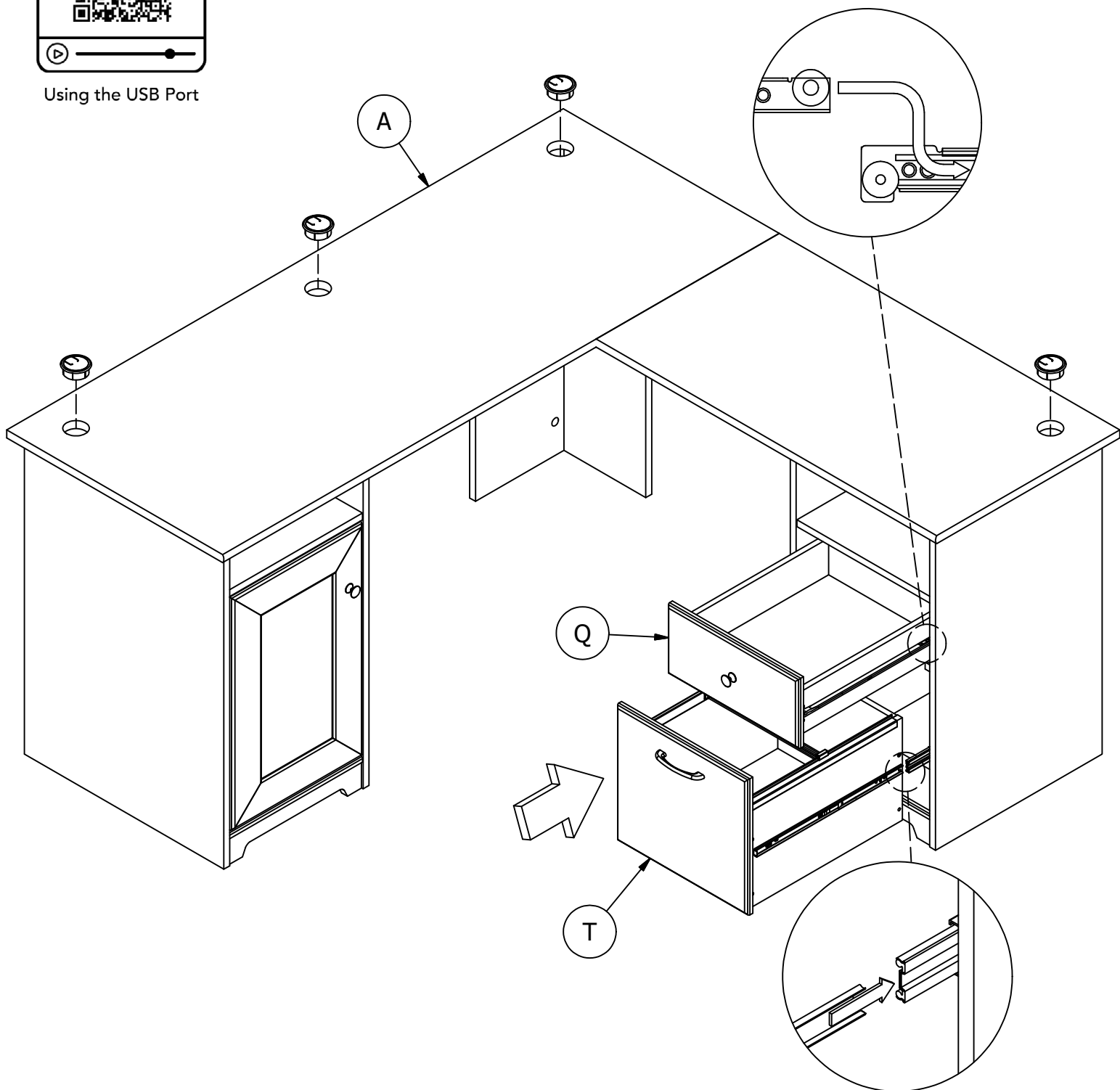
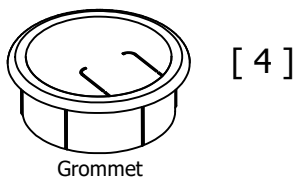
Install Hardware & Drawers

A175390H

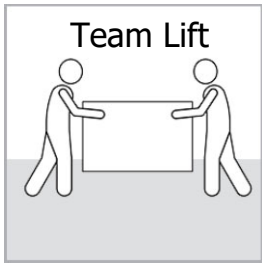
Scan QR Code to Watch Video on:



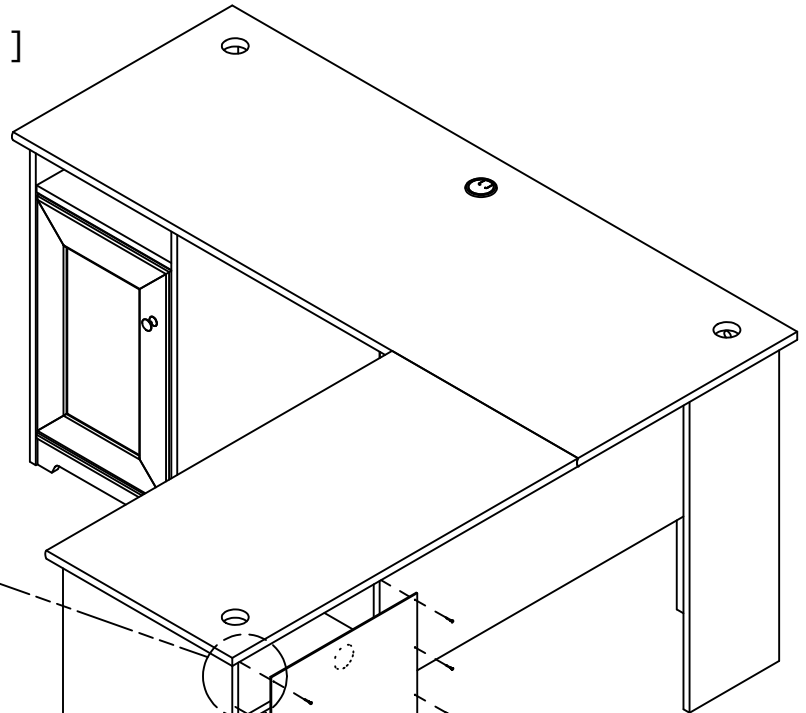
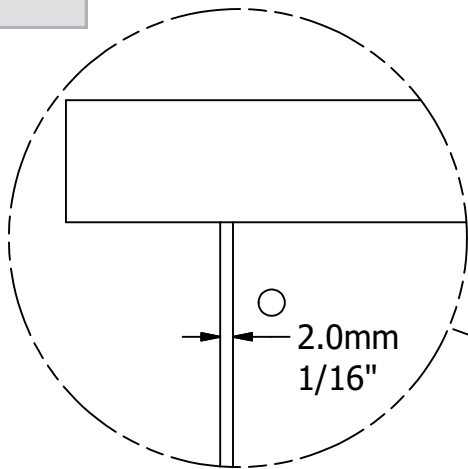
Using the USB Port



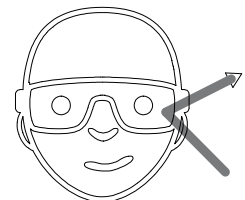
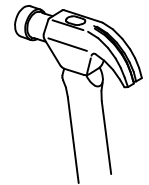
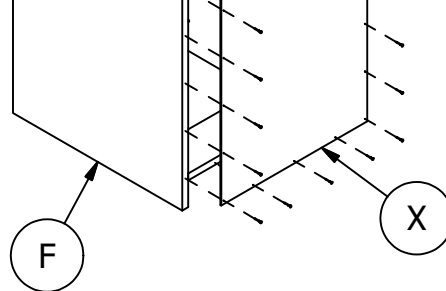
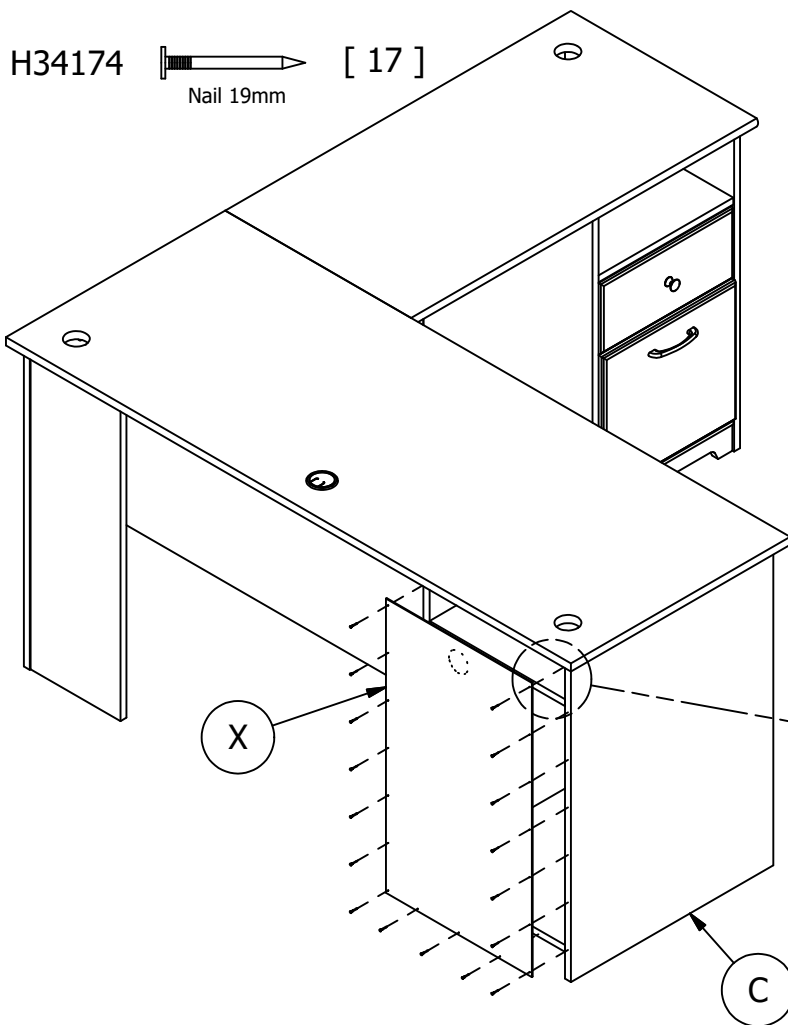
Have an assembly question or need a replacement part? Just call **1-800-950-4782**, we are here to help.



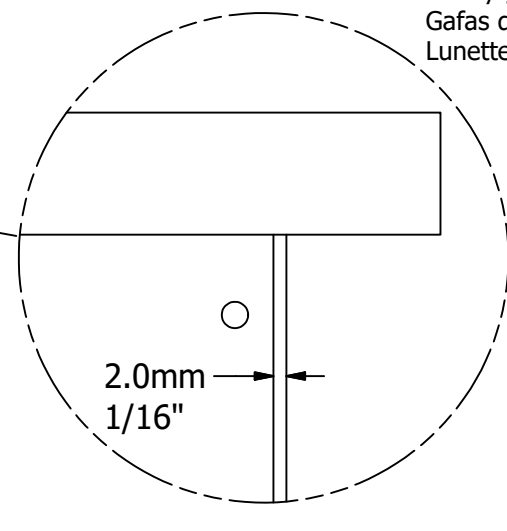
H34174  [17]
Nail 19mm



H34174  [17]
Nail 19mm



Safety glasses
Gafas de seguridad
Lunettes de protection



Have an assembly question or need a replacement part? Just call **1-800-950-4782**, we are here to help.

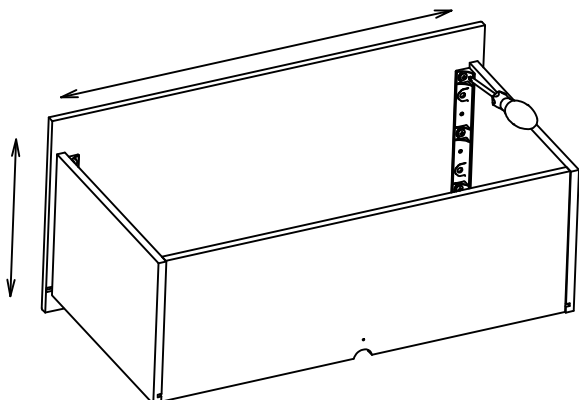
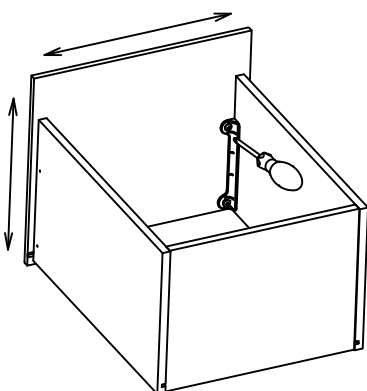
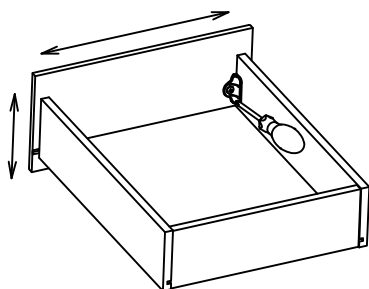
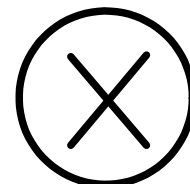
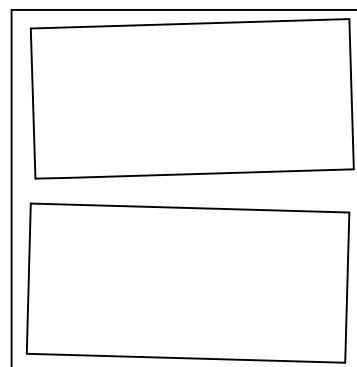
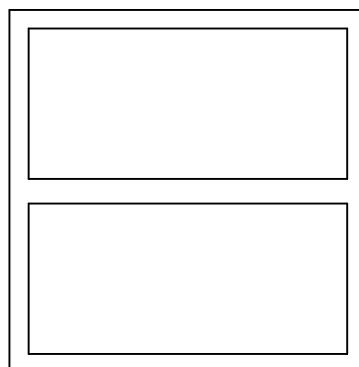
Scan QR Code to Watch Video on:



How to Adjust Drawer Fronts



DRAWER FRONT VIEW



REQUIRED TOOL: PHILLIPS SCREWDRIVER

HERRAMIENTA REQUERIDA: DESTORNILLADOR PHILLIPS
 OUTIL REQUIS: TOURNEVIS CRUCIFORME

1. LOOSEN SCREWS.
2. ADJUST DRAWER FRONTS.
3. TIGHTEN SCREWS.



1. Afloje los tornillos
2. Ajustar frentes de cajón
3. Apriete los tornillos

1. Desserrer les vis
2. Ajuster les façades des tiroirs
3. Serrer les vis

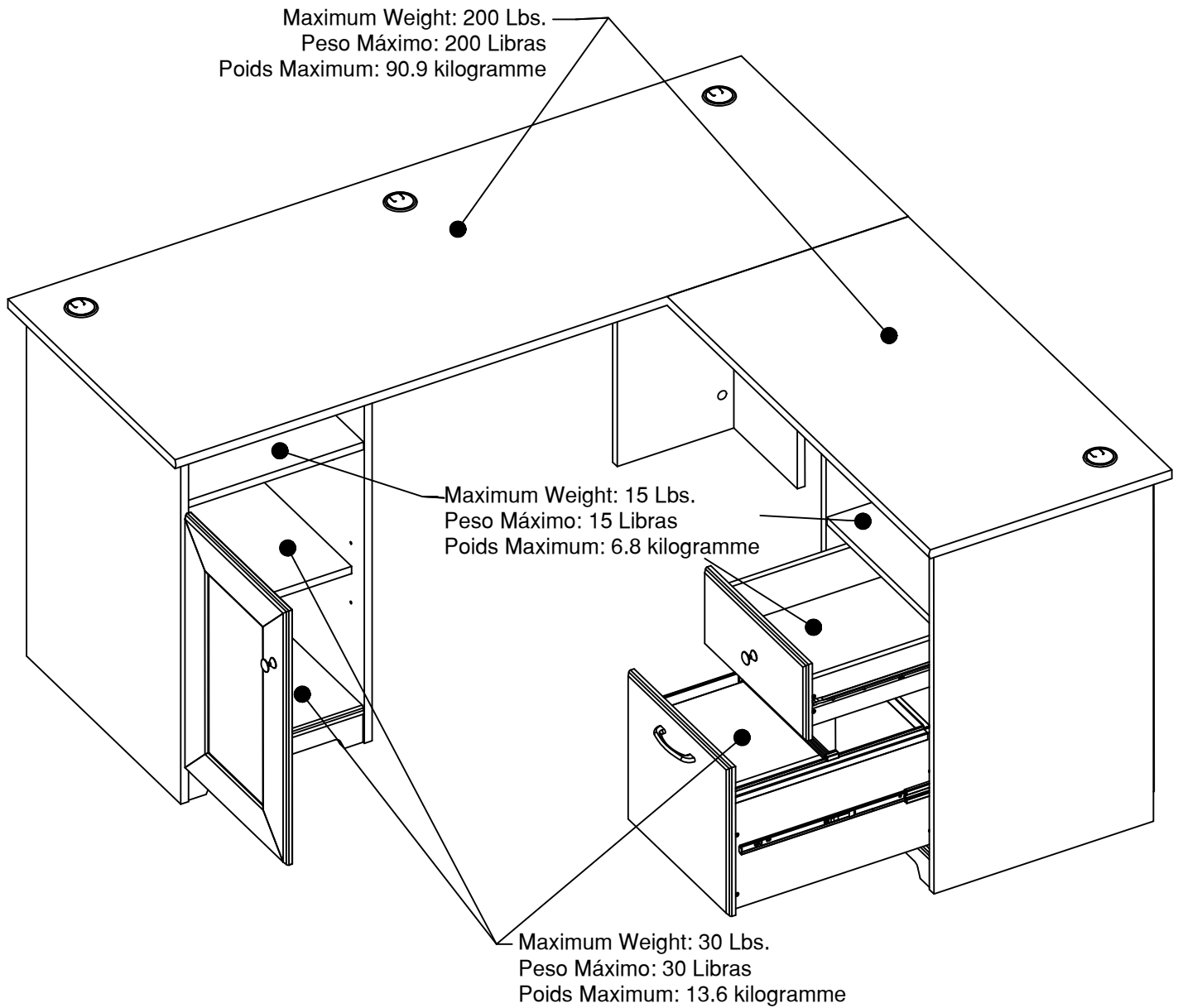
Have an assembly question or need a replacement part? Just call **1-800-950-4782**, we are here to help.

Scan QR Code to
Watch Video on:



How to Clean
the Surface

Gently clean surfaces with a damp sponge eraser.

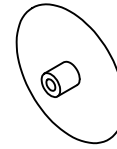


Congratulations! You are all done. If you have
any questions or concerns, please call.

Have an assembly question or need a replacement part? Just call
1-800-950-4782, we are here to help.

WC31030D		
LABEL	NUMBER	QTY
A	W213676	1
B	W213677	1
C	W213678	1
D	W213679	1
E	W219323	1
F	W219324	1
G	W213682	1
H	W213683	1
I	W213684	1
J	W213685	1
K	W213686	1
L	W213687	1
M	W213688	1
N	W184754	1
O	W213689	2
P	S219327	1
Q	W219325	1
R	W107675	2
S	W128623	1
T	W219326	1
U	W215261	2
V	W192433	1
W	W87410	2
X	W214295	2
Z	W213697	1
AA	W213812	1

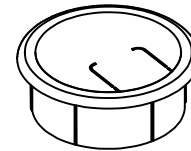
H184321



Cover Cap

[23]

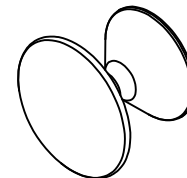
H204633US



Grommet

[4]

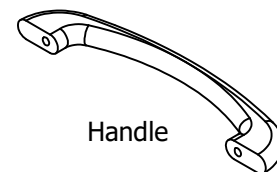
H200220US



Door Knob

[2]

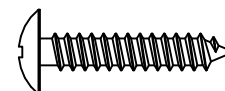
H200221US



Handle

[1]

H23682

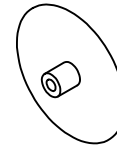


#10 x 1"

[6]

WC31130D		
LABEL	NUMBER	QTY
A	W213698	1
B	W213699	1
C	W213700	1
D	W213701	1
E	W219328	1
F	W219329	1
G	W213704	1
H	W213705	1
I	W213706	1
J	W213707	1
K	W213708	1
L	W213709	1
M	W213710	1
N	W184754	1
O	W213711	2
P	S219332	1
Q	W219330	1
R	W107675	2
S	W128623	1
T	W219331	1
U	W215261	2
V	W192433	1
W	W87410	2
X	W214296	2
Z	W213719	1
AA	W213813	1

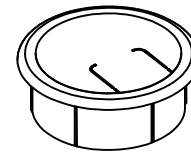
H200203US



Cover Cap

[23]

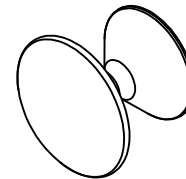
H202823US



Grommet

[4]

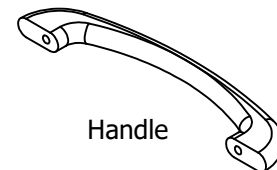
H188981US



Door Knob

[2]

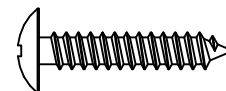
H192372US



Handle

[1]

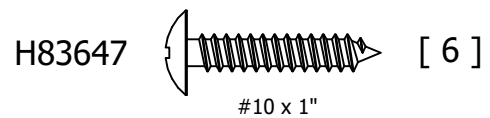
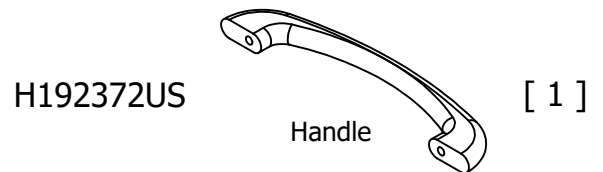
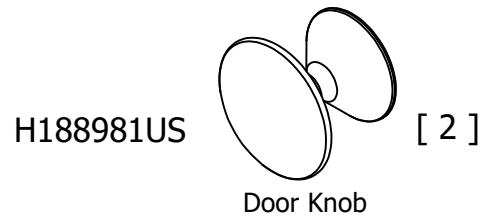
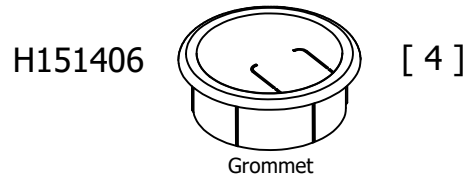
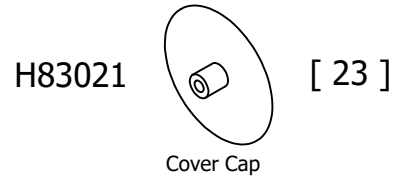
H83647



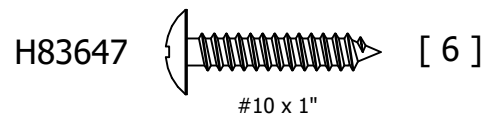
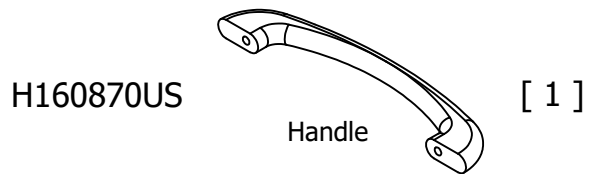
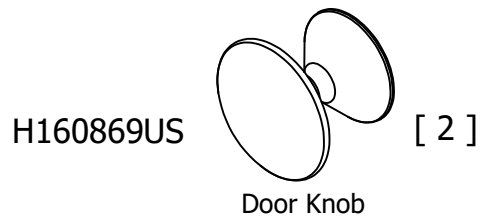
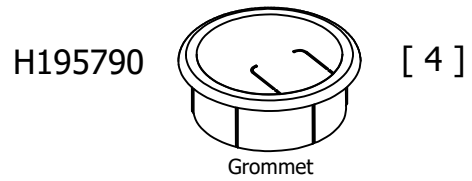
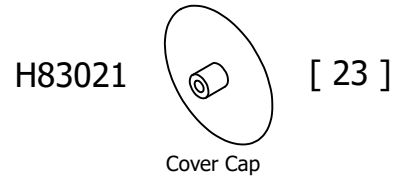
#10 x 1"

[6]

WC31230D		
LABEL	NUMBER	QTY
A	W213720	1
B	W214256	1
C	W213722	1
D	W213723	1
E	W219333	1
F	W219334	1
G	W196913	1
H	W196914	1
I	W196906	1
J	W196907	1
K	W196900	1
L	W196901	1
M	W196915	1
N	W184754	1
O	W196902	2
P	S219337	1
Q	W219335	1
R	W107675	2
S	W128623	1
T	W219336	1
U	W215261	2
V	W192433	1
W	W87410	2
X	W214297	2
Z	W196916	1
AA	W213041	1

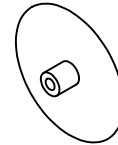


WC31330D		
LABEL	PART	QTY
A	W213742	1
B	W213743	1
C	W213744	1
D	W213745	1
E	W219338	1
F	W219339	1
G	W213748	1
H	W213749	1
I	W213750	1
J	W213751	1
K	W213752	1
L	W213753	1
M	W213754	1
N	W184754	1
O	W210386	2
P	S219342	1
Q	W219340	1
R	W107675	2
S	W128623	1
T	W219341	1
U	W215261	2
V	W192433	1
W	W87410	2
X	W214298	2
Z	W213814	1
AA	W213951	1



WC31430D		
LABEL	NUMBER	QTY
A	W213110	1
B	W213116	1
C	W213111	1
D	W213112	1
E	W219343	1
F	W219344	1
G	W213115	1
H	W213117	1
I	W213118	1
J	W213119	1
K	W213120	1
L	W213121	1
M	W213122	1
N	W184754	1
O	W213067	2
P	S219347	1
Q	W219345	1
R	W107675	2
S	W128623	1
T	W219346	1
U	W215261	2
V	W192433	1
W	W87410	2
X	W214299	2
Z	W213088	1
AA	W213042	1

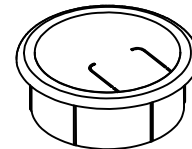
H184321



[23]

Cover Cap

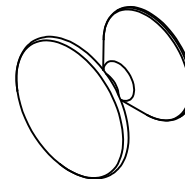
H118700



[4]

Grommet

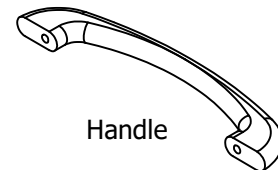
H160869US



[2]

Door Knob

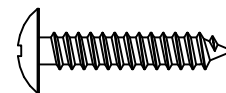
H160870US



[1]

Handle

H23682



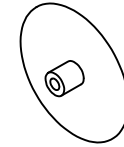
[6]

#10 x 1"

Have an assembly question or need a replacement part? Just call
1-800-950-4782, we are here to help.

WC31530D		
LABEL	NUMBER	QTY
A	W213764	1
B	W213765	1
C	W213766	1
D	W213767	1
E	W219348	1
F	W219349	1
G	W213770	1
H	W213771	1
I	W213772	1
J	W213773	1
K	W213774	1
L	W213775	1
M	W213776	1
N	W184754	1
O	W213777	2
P	S219352	1
Q	W219350	1
R	W107675	2
S	W128623	1
T	W219351	1
U	W215261	2
V	W192433	1
W	W87410	2
X	W214300	2
Z	W213785	1
AA	W213815	1

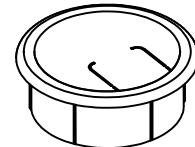
H77823



[23]

Cover Cap

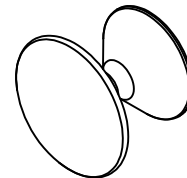
H204452



[4]

Grommet

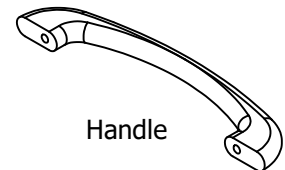
H200220US



[2]

Door Knob

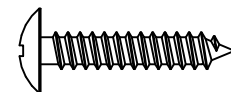
H200221US



[1]

Handle

H23682

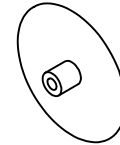


[6]

#10 x 1"

WC31730D		
LABEL	NUMBER	QTY
A	W213786	1
B	W214257	1
C	W213788	1
D	W213789	1
E	W219353	1
F	W219354	1
G	W184751	1
H	W184752	1
I	W184739	1
J	W184740	1
K	W184741	1
L	W184742	1
M	W184753	1
N	W184754	1
O	W193715	2
P	S219357	1
Q	W219355	1
R	W107675	2
S	W128623	1
T	W219356	1
U	W215261	2
V	W192433	1
W	W87410	2
X	W214301	2
Z	W184757	1
AA	W213043	1

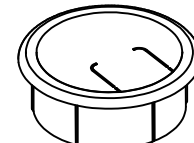
H92521



[23]

Cover Cap

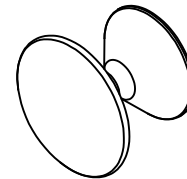
H107716



[4]

Grommet

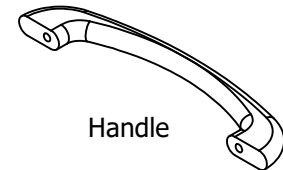
H160869US



[2]

Door Knob

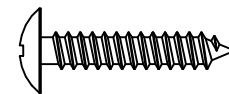
H160870US



[1]

Handle

H23682



[6]

#10 x 1"

PARTS LIST

A175390H

WC31830D		
LABEL	NUMBER	QTY
A	W210171	1
B	W210172	1
C	W210173	1
D	W210174	1
E	W219358	1
F	W219359	1
G	W210177	1
H	W210178	1
I	W210179	1
J	W210180	1
K	W210181	1
L	W210182	1
M	W210183	1
N	W184754	1
O	W210184	2
P	S219362	1
Q	W219360	1
R	W107675	2
S	W128623	1
T	W219361	1
U	W215261	2
V	W192433	1
W	W87410	2
X	W214302	2
Z	W210192	1
AA	W213044	1

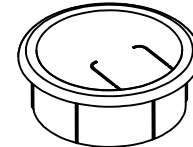
H73621



[23]

Cover Cap

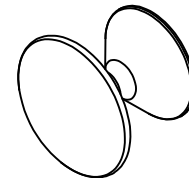
H118700



[4]

Grommet

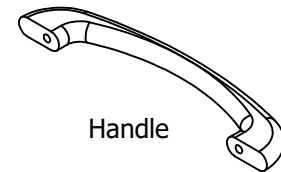
H160869US



[2]

Door Knob

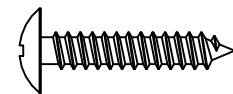
H160870US



[1]

Handle

H23682



[6]

#10 x 1"

Have an assembly question or need a replacement part? Just call
1-800-950-4782, we are here to help.

WC31930D		
LABEL	NUMBER	QTY
A	W213808	1
B	W214528	1
C	W213810	1
D	W213811	1
E	W219363	1
F	W219364	1
G	W192158	1
H	W192159	1
I	W192150	1
J	W192151	1
K	W192147	1
L	W192148	1
M	W192160	1
N	W184754	1
O	W193717	2
P	S219367	1
Q	W219365	1
R	W107675	2
S	W128623	1
T	W219366	1
U	W215261	2
V	W192433	1
W	W87410	2
X	W214303	2
Z	W192161	1
AA	W213045	1

