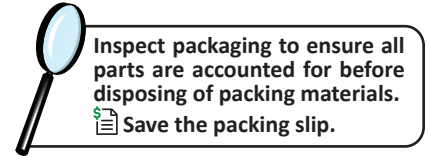
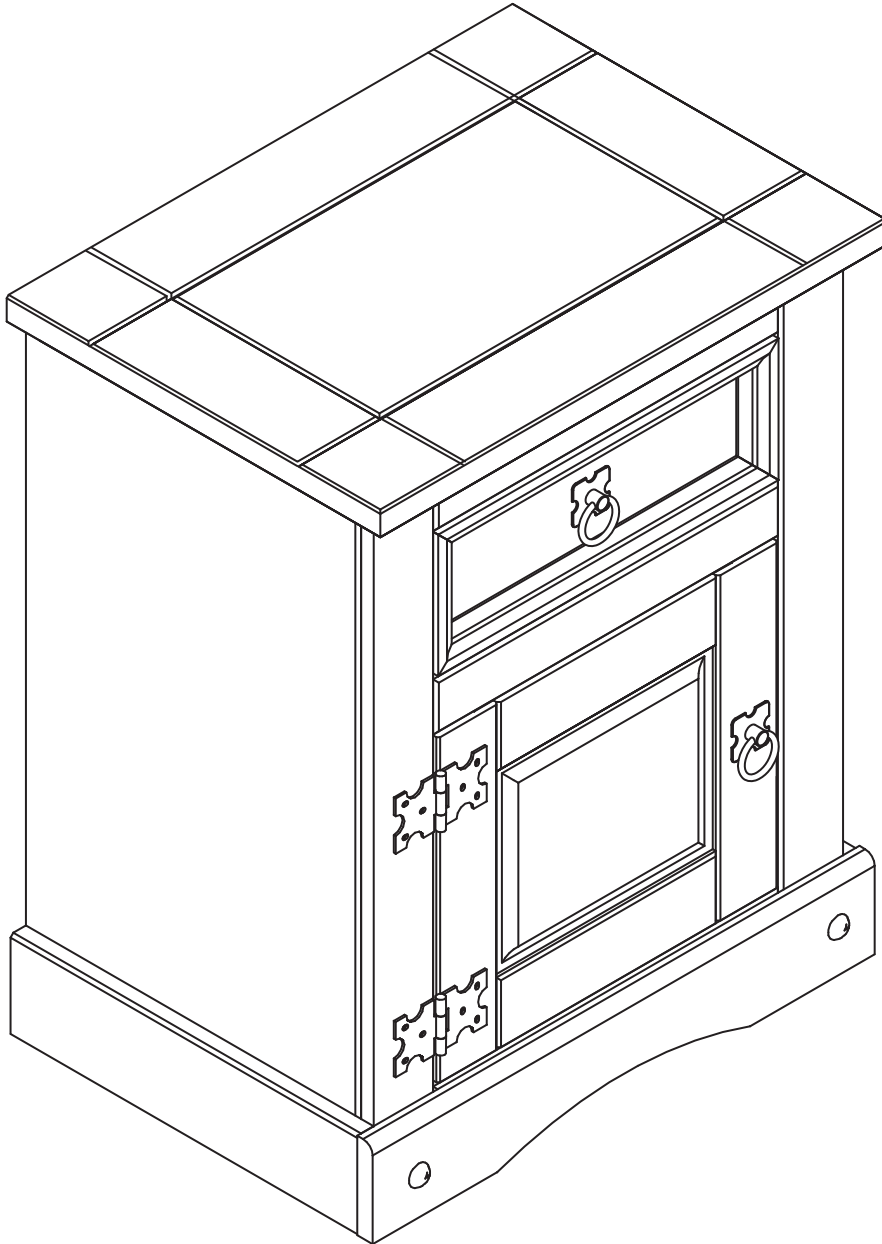


END TABLE CABINET WITH DRAWER AGR-348

Carefully review assembly and care instructions before using this product. Save this document for future reference.
Assemble components on a soft, clean surface to avoid scratching or damaging the finish.



! HELPFUL HINTS

Sunnydaze Decor advises reviewing this manual fully, and assembling the unit soon after purchase. Check that all parts are accounted for and familiarize yourself with the assembly before beginning.

SAVE THIS MANUAL FOR FUTURE REFERENCE.

INTRODUCTION

Read the manual carefully to ensure you fully understand all use, care, assembly, and safety information.



Read this manual carefully and follow the assembly instructions in the order listed. Pay close attention to assembly diagrams.



Regularly clean with a clean microfiber cloth to prevent dust accumulation.



Do not paint the unit.
Do not use abrasive materials or cleaners to clean the furniture.



Indoor use only.
Do not expose the furniture to heat or humidity.



When cleaning nearby the furniture, do not allow contact with water or cleaners as it may deteriorate the furniture.



Do not allow metal components to come in contact with water or cleaners as it may cause rust and staining.



Assemble on a soft, flat, clean, and dry surface.



Use a soft, protective barrier when assembling the furniture.

TIP: Use the box carton as a protective layer to separate and protect the parts from scratches and other damage during assembly.



Do not push or drag furniture as doing so may damage the unit.

Only move furniture when it is empty.

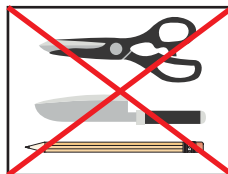


Always ask for help when moving furniture.



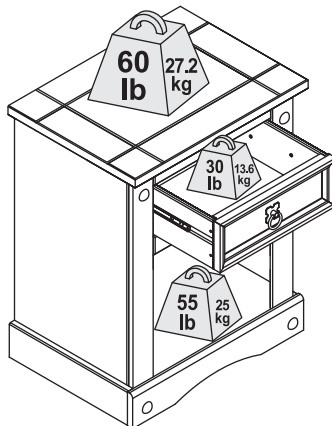
Avoid Accidents - Do not climb, sit or stand on the furniture.

Do not allow children to play on or inside the furniture.



Keep sharp objects away as they may scratch or damage the unit.

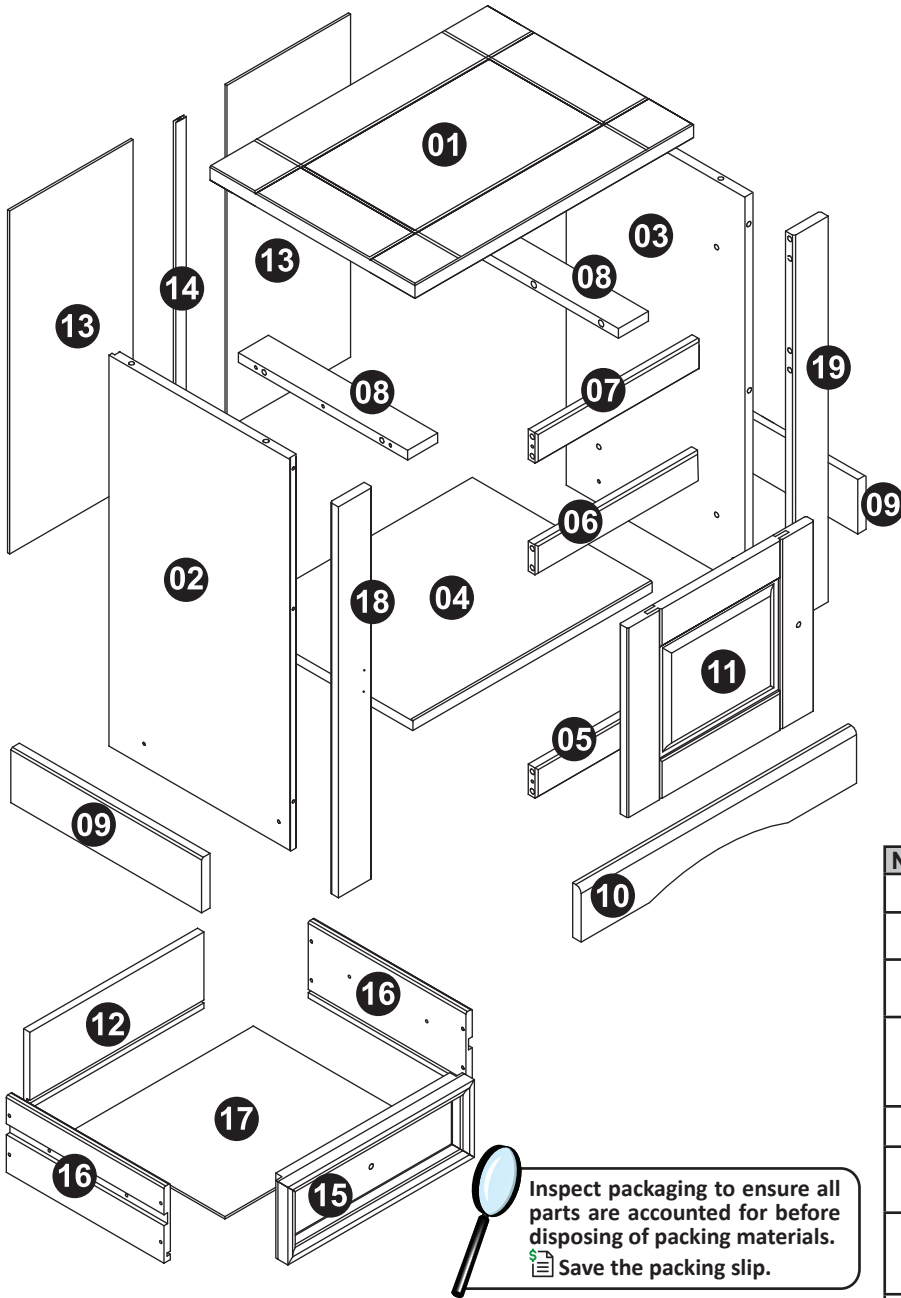
Do not use the furniture as a writing surface without a padded barrier.




! NOTICE:






Manufacturer and seller expressly disclaim any and all liability from personal injury, property damage or loss, whether direct or indirect, or incidental, resulting from the incorrect attachment, improper use, inadequate maintenance, or neglect of this product.







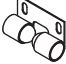









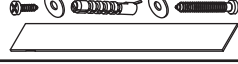

COMPONENTS



SEQ.	PART NAME	QTY.
01	Top	1
02	Left Side Panel	1
03	Right Side Panel	1
04	Bottom Panel	1
05	Bottom Frame	1
06	Center Face Frame	1
07	Top Face Frame	1
08	Drawer Rail	2
09	Side Trim Board (L/R)	2
10	Front Trim Board	1
11	Door	1
12	Drawer Back	1
13	Backing Board	2
14	Divider	1
15	Drawer Face	1
16	Drawer Side (L/R)	2
17	Drawer Bottom	1
18	Left Stile	1
19	Right Stile	1

Inspect packaging to ensure all parts are accounted for before disposing of packing materials.
 Save the packing slip.

TOOLS REQUIRED (not included)	
	Phillips Screwdriver
	Regular Screwdriver
	Rubber Mallet
	Hammer
	Power Drill, 6mm Drill Bit, 2mm Drill Bit <i>(only use for installing wall anchor kit)</i>

No.	HARDWARE	QTY.
A	 Wood Dowel	30
B	 M4.5x28mm Pan Screw	22
C	 Connector	12
D	 Handle Set	2
E	 M3.5x30mm Flat Screw	8
F	 Hinge	2
G	 Catch	1
H	 Strike	1
J	 M3x16mm Flat Screw	4
K	 M3.5x14mm Pan Screw	12
L	 Tack	4
M	 M3.5x25mm Pan Screw	4
N	 M4.5x25mm Pan Screw	6
O	 Drawer Slide	2
P	 M4x8mm Bolt	2
Q	 M4x14mm Flat Screw	6
Y	 Wall Anchor Kit	1
Z	 8x8mm Nail	16

⚠ WARNING
CHOKING HAZARD —
 This item contains small parts that can be swallowed. Keep children and pets away during assembly.

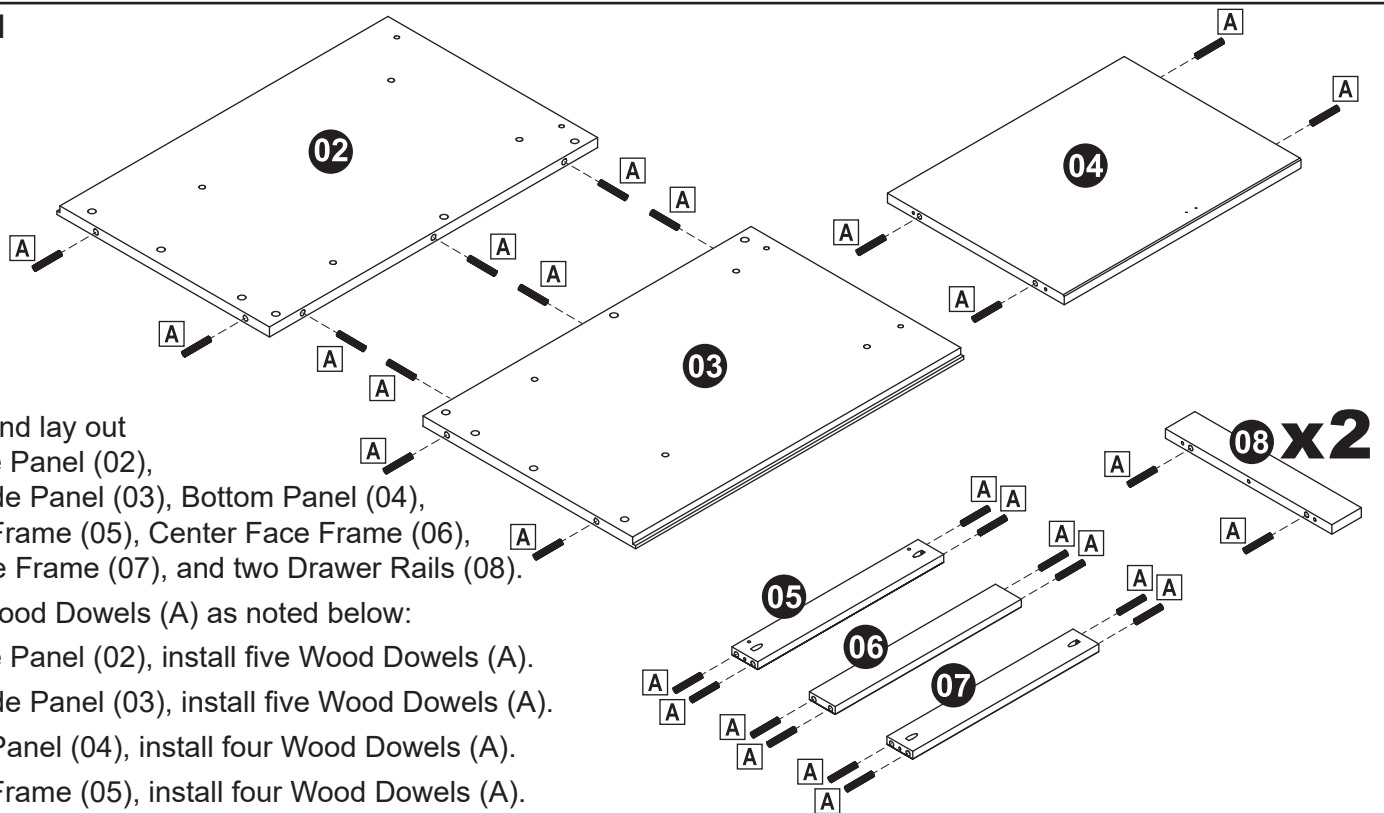
ASSEMBLY

Carefully review all steps and fully understand assembly before beginning.

IMPORTANT: Take care not to over-tighten screws as doing so may crack the wood or strip the screw hole, causing a weak connection and reduced stability.

STEP 1

- 02: 1
- 03: 1
- 04: 1
- 05: 1
- 06: 1
- 07: 1
- 08: 2
- A: 30



Locate and lay out Left Side Panel (02), Right Side Panel (03), Bottom Panel (04), Bottom Frame (05), Center Face Frame (06), Top Face Frame (07), and two Drawer Rails (08).

Install Wood Dowels (A) as noted below:

Left Side Panel (02), install five Wood Dowels (A).

Right Side Panel (03), install five Wood Dowels (A).

Bottom Panel (04), install four Wood Dowels (A).

Bottom Frame (05), install four Wood Dowels (A).

Center Face Frame (06), install four Wood Dowels (A).

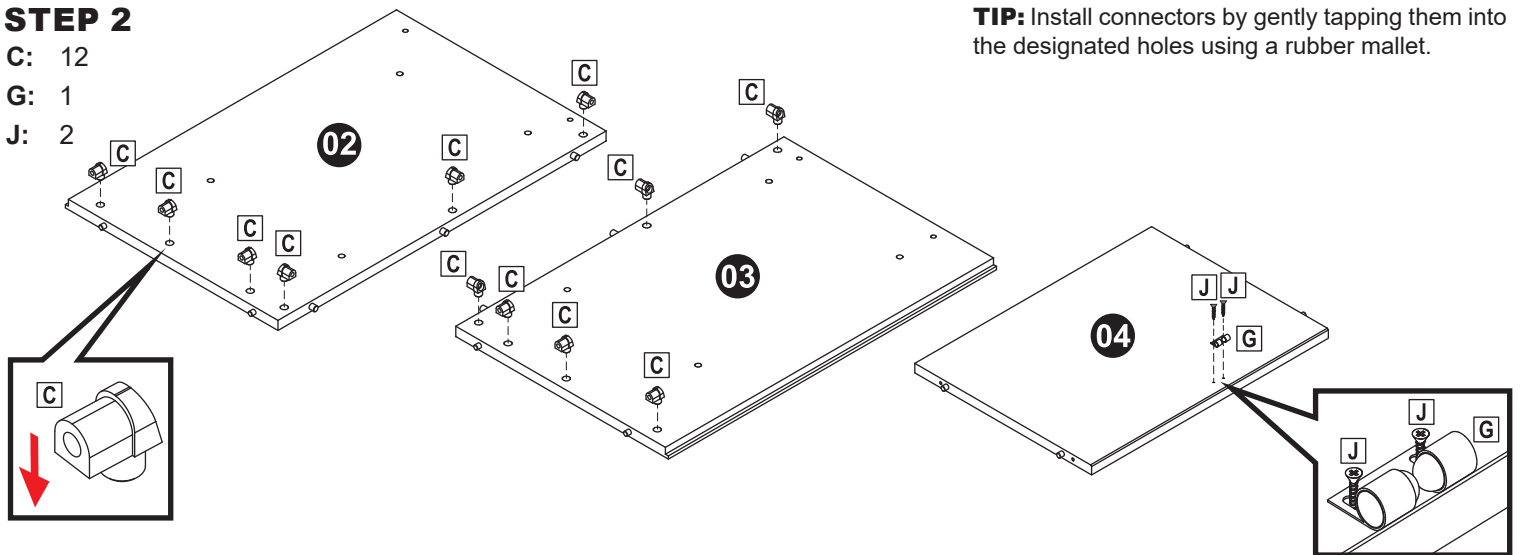
Top Face Frame (07), install four Wood Dowels (A).

Drawer Rail (08), install two Wood Dowels (A). Repeat with the second drawer rail.

Set components aside, label if necessary.

STEP 2

- C: 12
- G: 1
- J: 2



With the angled edge facing the inside of the panel, install six Connectors (C) into Left Side Panel (02), and six Connectors (C) into Right Side Panel (03).

Identify the two indents on the edge of Bottom Panel (04), align the mounting holes in Catch (G) with the indents, and firmly secure using two M3x16mm Flat Screws (J).

STEP 3

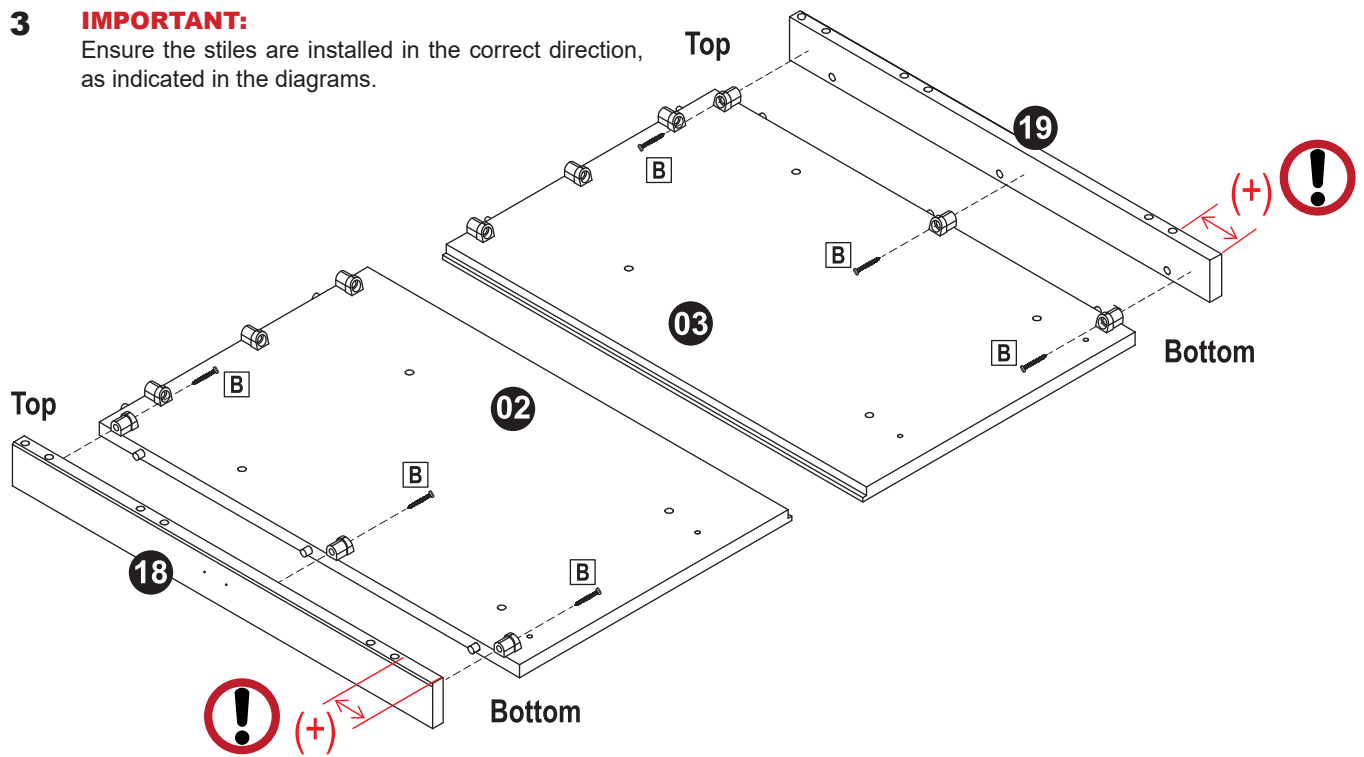
IMPORTANT:

Ensure the stiles are installed in the correct direction, as indicated in the diagrams.

18: 1

19: 1

B: 6



Identify the Top and Bottom of the Side Panels (02,03), Left Stile (18) and Right Stile (19); the bottom of the stiles will have a larger gap between the mounting holes and the end of the panel.

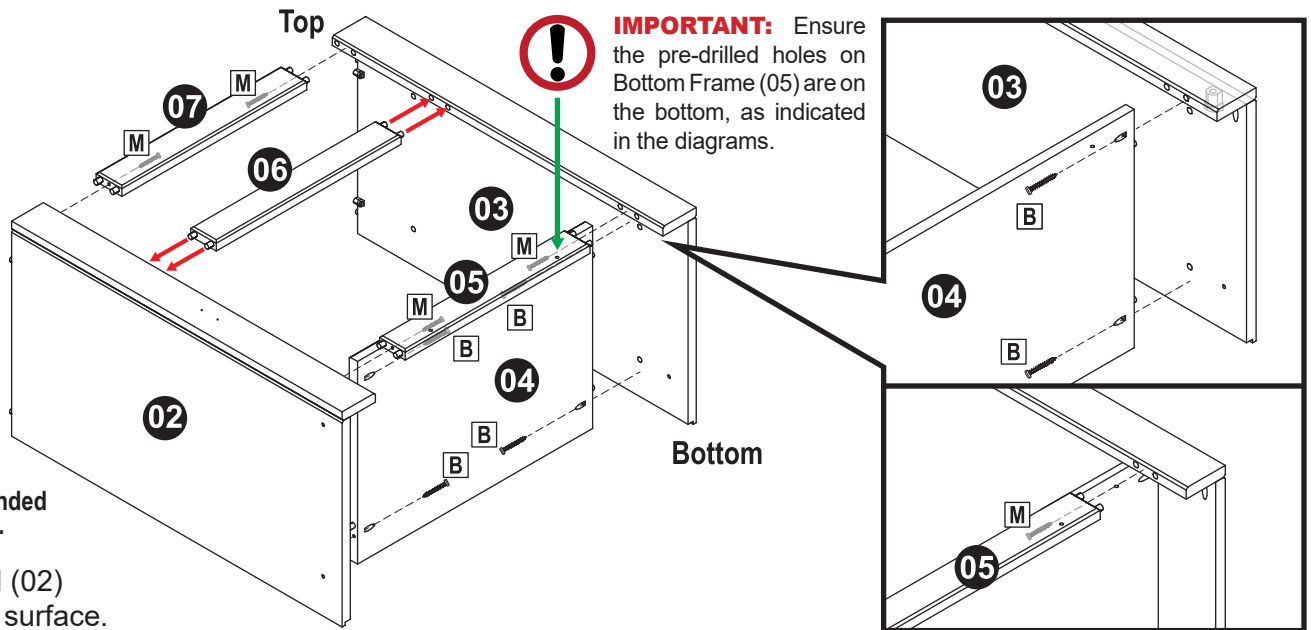
Ensuring the tops and bottoms are on the same side, align Left Stile (18) with Left Side Panel (02) and secure using three M4.5x28mm Pan Screws (B).


Ensuring the tops and bottoms are on the same side, align Right Stile (19) with Right Side Panel (03) and secure using three M4.5x28mm Pan Screws (B).

STEP 4

B: 4

M: 4



 Assistance is recommended for this step.

Lay Side Panel (02) on a flat, clean surface.

Ensuring the catch on Bottom Panel (04) faces the top of the unit, align Bottom Panel (04) with the mounting holes just above the bottom-most connector on the side panel. Loosely secure using two M4.5x28mm Pan Screws (B).

Align Bottom Frame (05), Center Face Frame (06), and Top Face Frame (07) with the mounting holes in the left stile. Secure Bottom Frame (05) and Top Face Frame (07) using M3.5x25mm Pan Screws (M).

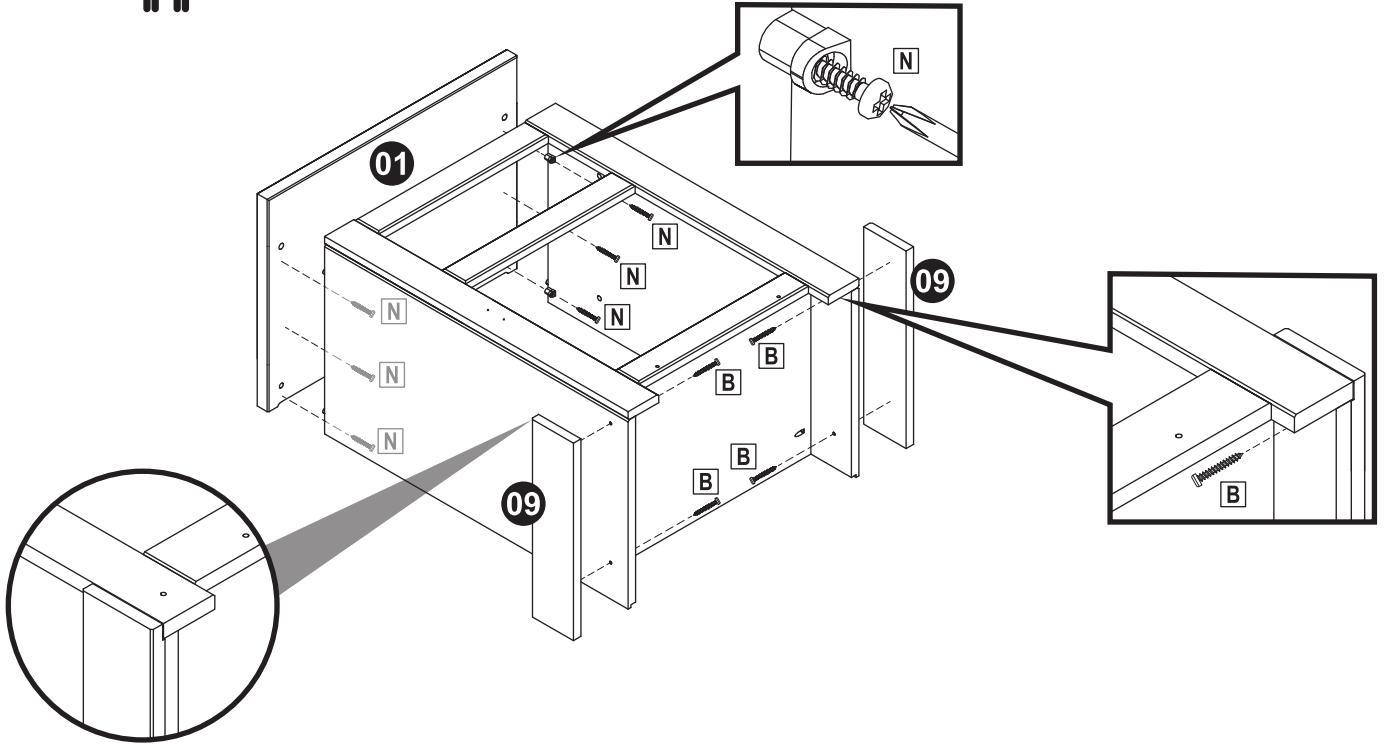
Align Side Panel (03) with the opposite side of the unit. With assistance, carefully flip the unit so Side Panel (03) is on the flat, clean surface. Then, secure components using the same hardware as noted for securing the first side panel.

STEP 5

01: 1
09: 2
B: 4
N: 6



Assistance is recommended for this step.



Place Top (01) on a flat, clean surface. Align the assembled components with the top and secure using six M4.5x25mm Pan Screws (N).

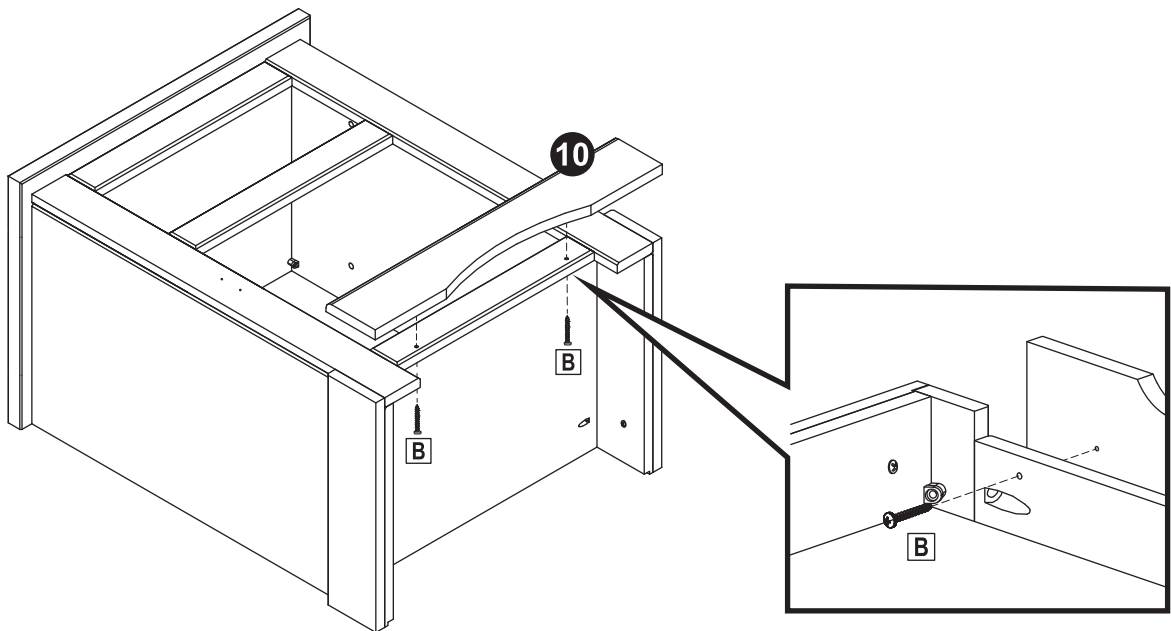
Align two Side Trim Boards (09) with the bottom of the unit, as shown. Have an assistant firmly hold the trim boards in place to ensure they remain flush with the unit while hardware is secured. From the inside of the side panels, secure each trim board using two M4.5x28mm Pan Screws (B).

STEP 6

10: 1
B: 2



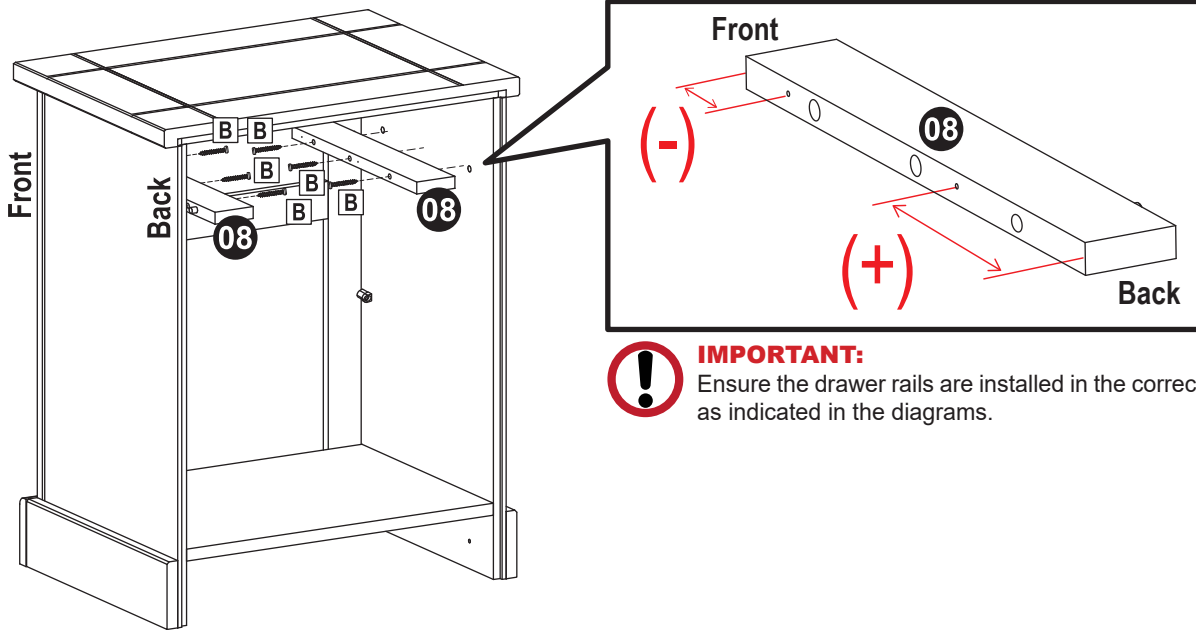
Assistance is recommended for this step.



Align Front Trim Board (10) with the bottom, front of the unit. Have an assistant firmly hold the trim board in place to ensure it remains flush while hardware is secured. Secure the trim board to the bottom frame using two M4.5x28mm Pan Screws (B).

STEP 7

B: 6



IMPORTANT:

Ensure the drawer rails are installed in the correct direction, as indicated in the diagrams.

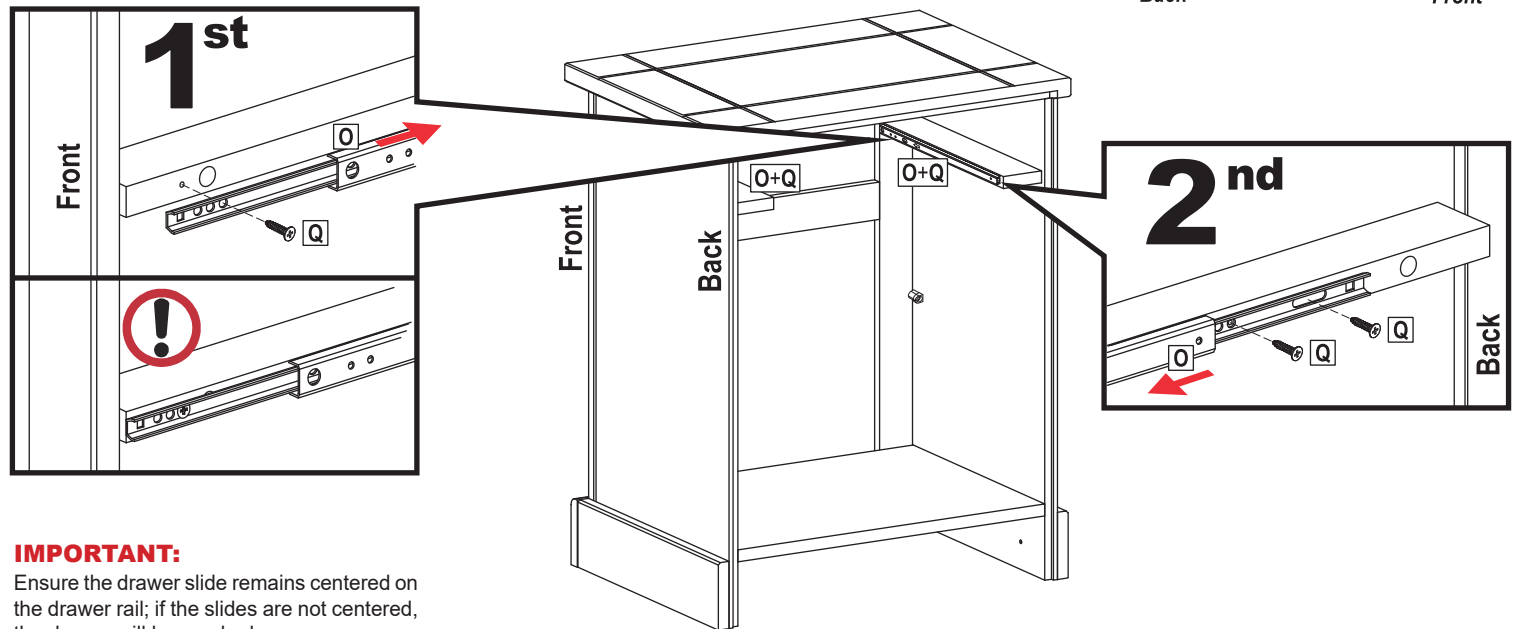
Identify the two indents on Drawer Rails (08), the indent with the shortest distance from the edge of the rail must be installed toward the front of the cabinet.

Align Drawer Rails (08) with the side panels and secure each rail using three M4.5x28mm Pan Screws (B).

STEP 8

O: 2

Q: 6



IMPORTANT:

Ensure the drawer slide remains centered on the drawer rail; if the slides are not centered, the drawer will be crooked.

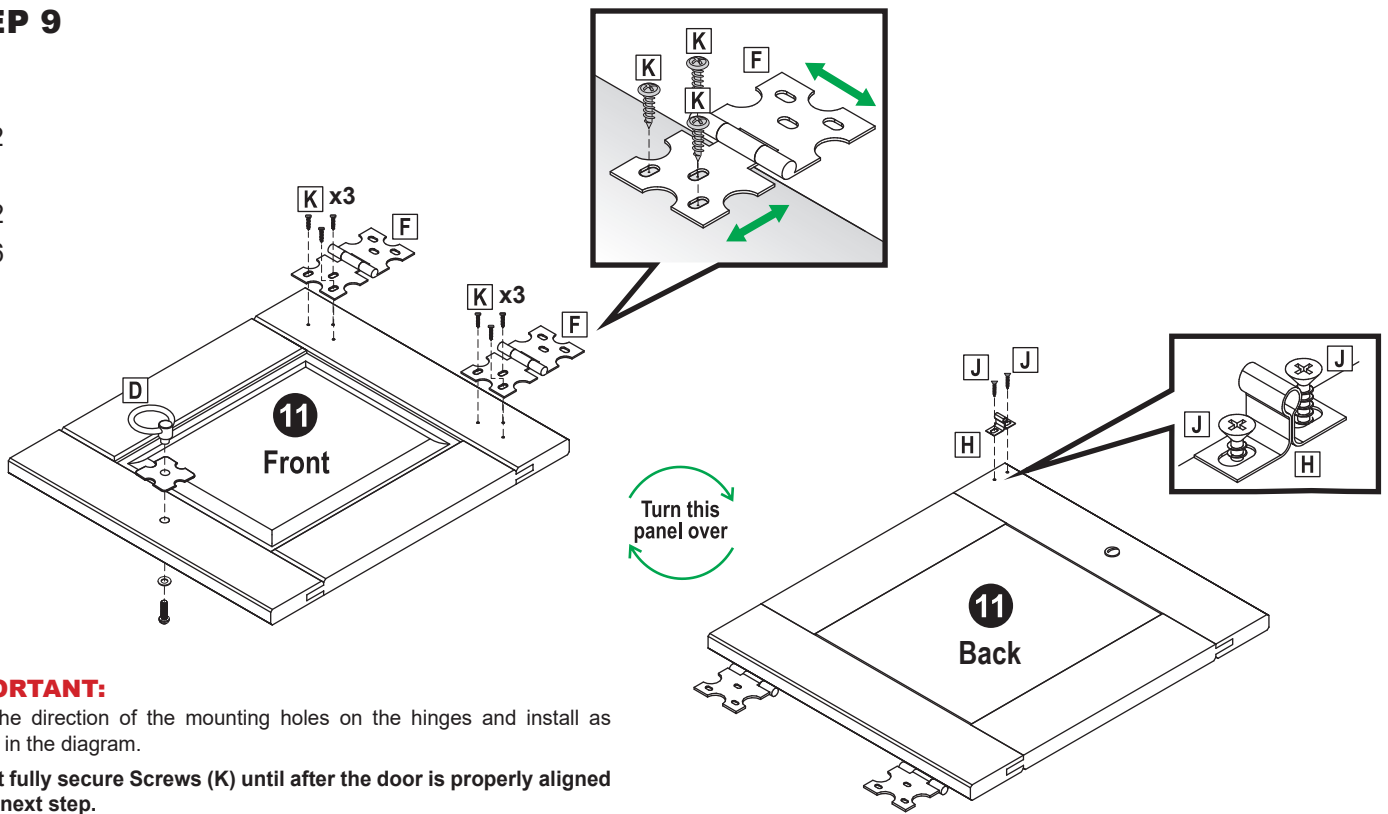
Push the front of Drawer Slide (O) backward. Align the 3rd round hole on the front of the drawer slide with the front indent on the drawer rail and secure using one M4x14mm Flat Screw (Q).

Slide the top piece of the drawer slide forward, the backside indent will align with the 1st small round hole on the back of the slide. Ensuring the slide is centered on the drawer rail, secure the 1st small round hole, then secure the oblong hole using two M4x14mm Flat Screws (Q), as shown.

Repeat this step to secure the remaining drawer slide.

STEP 9

11: 1
D: 1
F: 2
H: 1
J: 2
K: 6



IMPORTANT:

Note the direction of the mounting holes on the hinges and install as shown in the diagram.

Do not fully secure Screws (K) until after the door is properly aligned in the next step.

Align two Hinges (F) with the indents on the front of Door (11) and mostly, but not fully, secure using six M3.5x14mm Pan Screws (K). Do not fully tighten screws until the door is properly aligned during the next step.

Ensuring the handle plate and ring remain straight, firmly secure Handle Set (D) to the door, as shown.

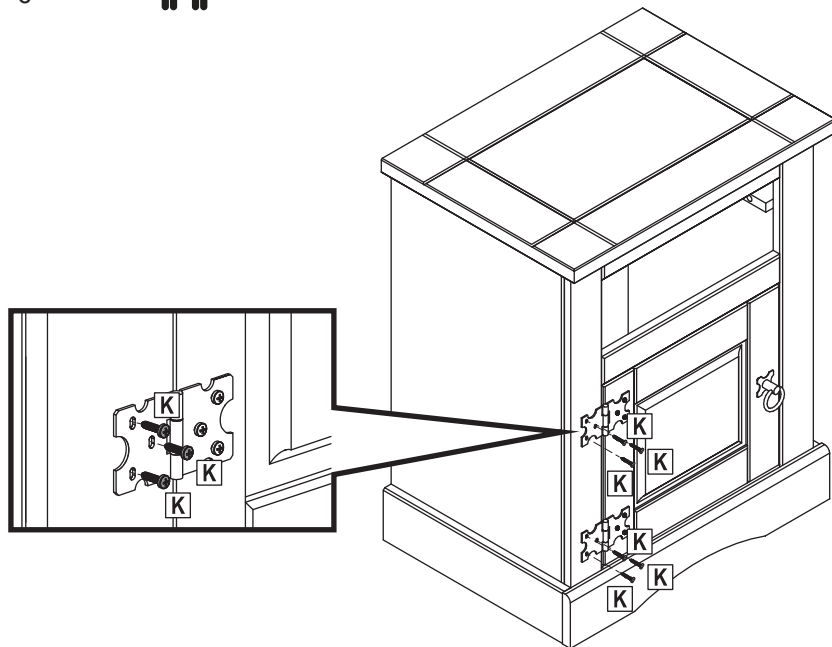
Turn the door over and secure Strike (H) using two M3x16mm Flat Screws (J).

STEP 10

K: 6

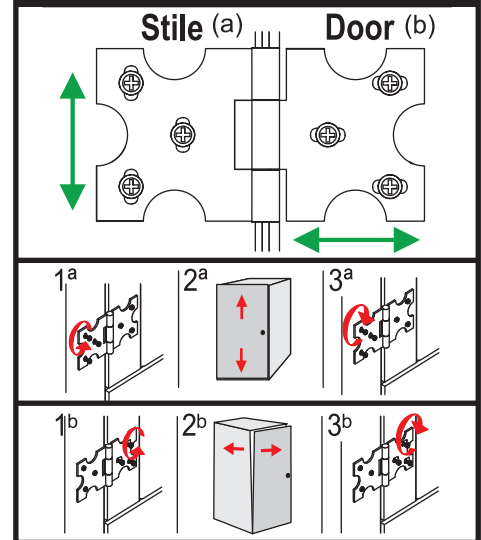


Assistance required for this step.



IMPORTANT: Ensure the door is properly aligned before fully securing any screws.

ADJUSTING HINGE

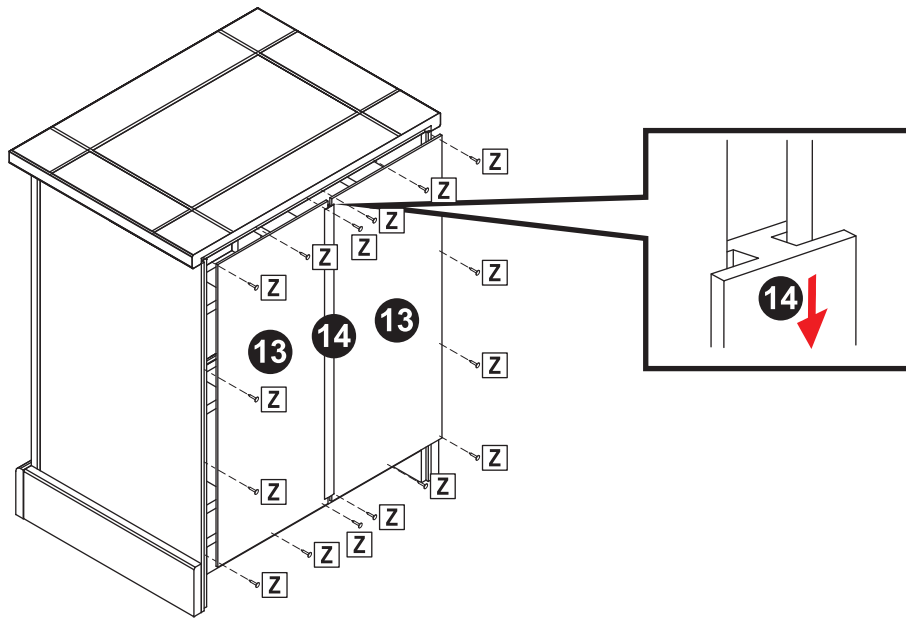


With assistance to hold the door in place, align the top hinge with the indents on the left stile. Loosely secure each hinge to the stile using three M3.5x14mm Pan Screws (K).

After ensuring the door is properly aligned, finish tightening all screws.

STEP 11

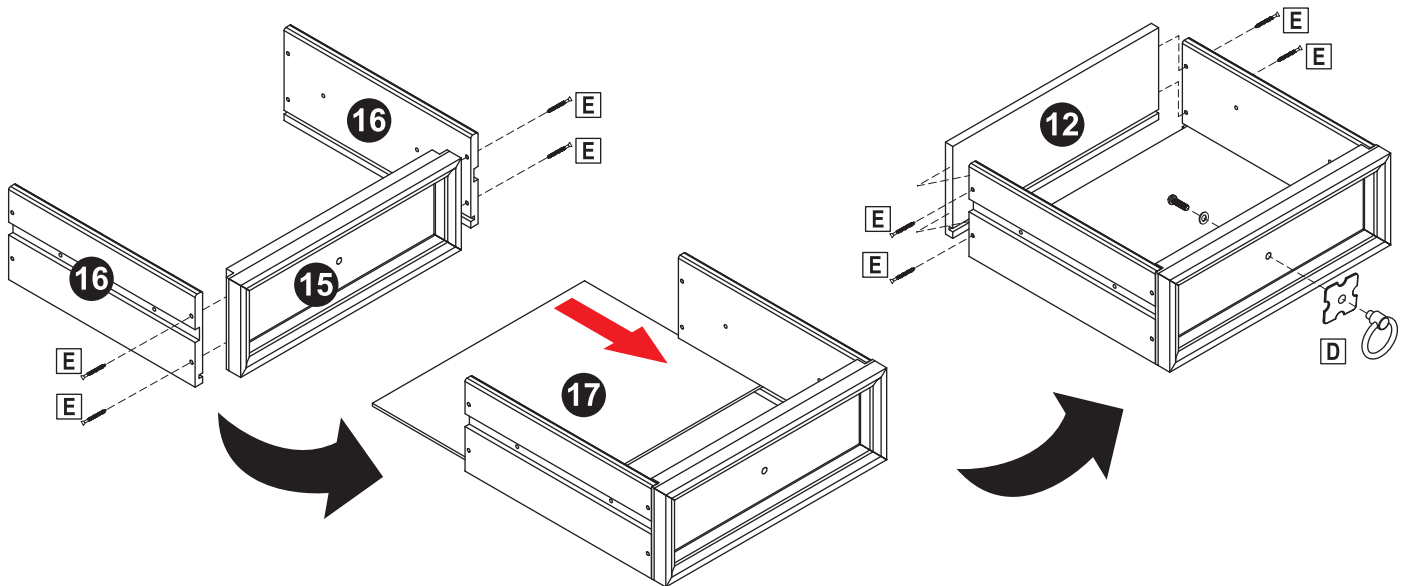
13: 2
14: 1
Z: 16



Place two Backing Boards (13) on the back of the unit and slide Divider (14) between them. Ensure the backing boards are snug beneath the lip of the top and the lips of the side panels. Then, secure the backing board using sixteen 8x8mm Nails (Z).

STEP 12

12: 1
15: 1
16: 2
17: 1
D: 1
E: 8



Ensuring the inside grooves align, secure two Drawer Sides (16) to Drawer Face (15) using four M3.5x30mm Flat Screws (E).

With the finished side facing upward, slide Drawer Bottom (17) into the grooves, as shown.

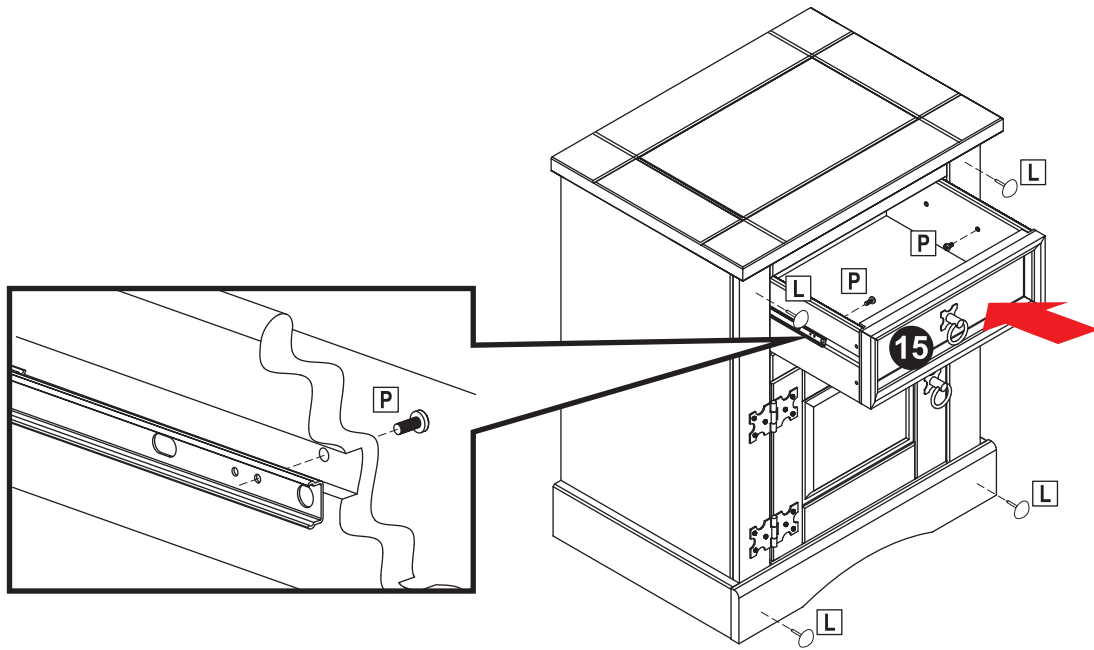
Secure Drawer Back (12) to the drawer sides using four M3.5x30mm Flat Screws (E).

Ensuring the handle and handle plate remain straight, install one Handle Set (D), as shown.

STEP 13

P: 2

L: 4



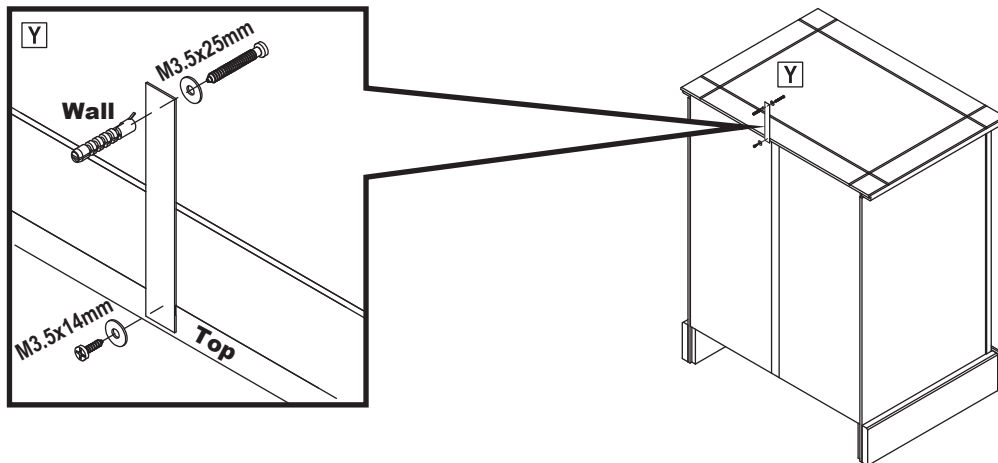
Extend the drawer slides out from the cabinet. Align the first small hole on the drawer slide with the pre-drilled hole on the front of the drawer sides. From the inside of the drawer, secure the drawer to the slides using one M4x8mm Bolt (P) on each side, as shown.

NOTE: The drawer sides have a second pre-drilled hole toward the back of the drawer, this hole is from the manufacturing process and does not act as a mounting hole for securing the drawer.

Evenly install four Tacks (L), as shown.

STEP 14

Y: 1



WARNING: Check for pipes and electrical wiring before drilling.

IMPORTANT: If walls are not solid like brick, stone or concrete, you will require special fittings (not included). When in doubt, consult a professional.

Carefully measure the location of pilot hole before drilling and installing the unit.

- Place wall mounting strap against the wall and mark the position for drilling the hole.
- Using a power drill with a 6mm bit, drill a hole to 30mm depth. If the wall is softer, using a 5mm bit is recommended.
- Insert the wall anchor into the hole until the opening is flush with the wall.
- Secure the strap to the wall using the 25mm screw and washer.
- Use a 2mm drill bit to pre-drill a small pilot hole on the back of the furniture top. Secure the other end of the strap to the furniture using the 14mm screw and washer.

SAFETY STATEMENTS & WARNINGS

- Residential use only. Not for commercial or industrial use.
- For indoor use only.
- Ensure fittings are tight before use. Periodically check fitting to ensure they are tight.
- Only use this unit on a flat, level surface.
- Do not sit, stand or climb on the unit.
- Supervise children; never allow children to climb or sit on this unit as it may tip over and cause serious injury.
- Do not place liquids or hot items directly on the furniture.
- Never use chemical cleaning products or polishes as they may damage the finish.
- Do not exceed the weight capacity of the furniture.
- Do not overload the drawers as doing so may cause damage.
- Do not place the unit in direct sunlight.
- Avoid placing unit near heating or cooling vents as forced air is very drying and can damage the unit.
- Do not write on furniture without a padded barrier to protect the surface.

Any modification to the product or failure to follow recommended care will void the product warranty.

If you experience issues with assembly or the product was damaged during shipping, please contact our customer service team directly through one of the methods mentioned at the top of page 1. Please have the item number and order information ready to expedite response time.

NOTICE:

Manufacturer and seller expressly disclaim any and all liability from personal injury, property damage or loss, whether direct or indirect, or incidental, resulting from the incorrect attachment, improper use, inadequate maintenance, or neglect of this product.